

ADA Compliant

This Space for Architect/Engineer Approval

Job Name _____ Date _____

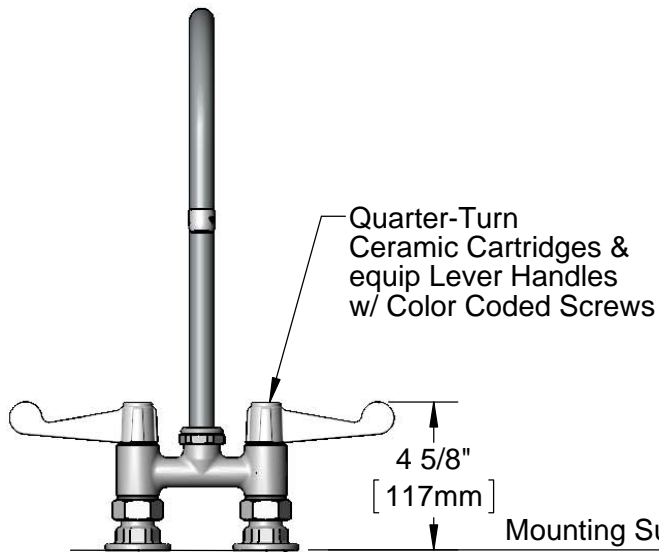
Model Specified _____ Quantity _____

Customer/Wholesaler _____

Contractor _____

Architect/Engineer _____

5SP-09
9" equip Swivel Gooseneck
w/ Laminar Flow Device.
Rigid Conversion Requires
014200-45 Lock Washer
(Sold Separately)



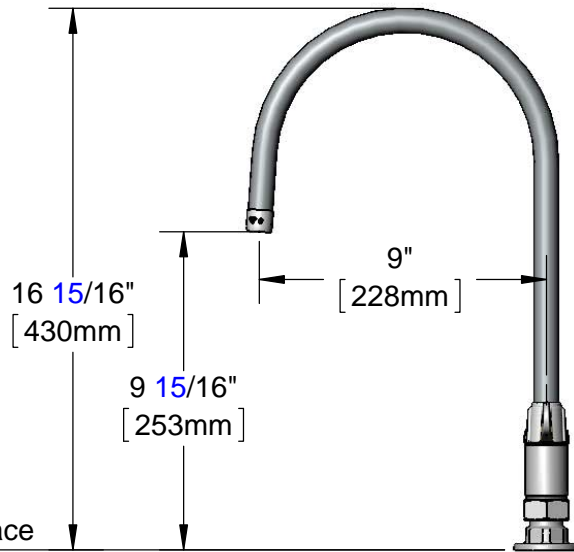
Quarter-Turn
Ceramic Cartridges &
equip Lever Handles
w/ Color Coded Screws

4 5/8"
[117mm]

Mounting Surface

4"
[102mm]
Adjustable from
3 3/4" to 4 1/4"
[95mm to 108mm]

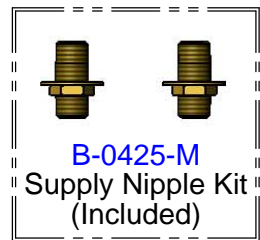
Ø 2" [51mm]
Flanges w/
1/2" NPT
Female Inlets



16 15/16"
[430mm]

9 15/16"
[253mm]

9"
[228mm]



B-0425-M
Supply Nipple Kit
(Included)

Rough-In Requirement:
(2) Ø 1" [25mm] Mounting Holes

Model Number

5F-4DWS09

Product Specifications:

4" Deck Mount Mixing Faucet w/ Quarter-Turn Ceramic Cartridges,
equip 4" Wrist Action Handles, 9" equip Swivel Gooseneck
& 1/2" NPT Supply Nipple Kit

Product Compliance:

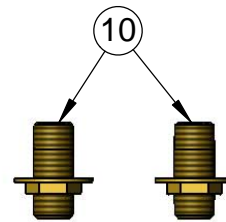
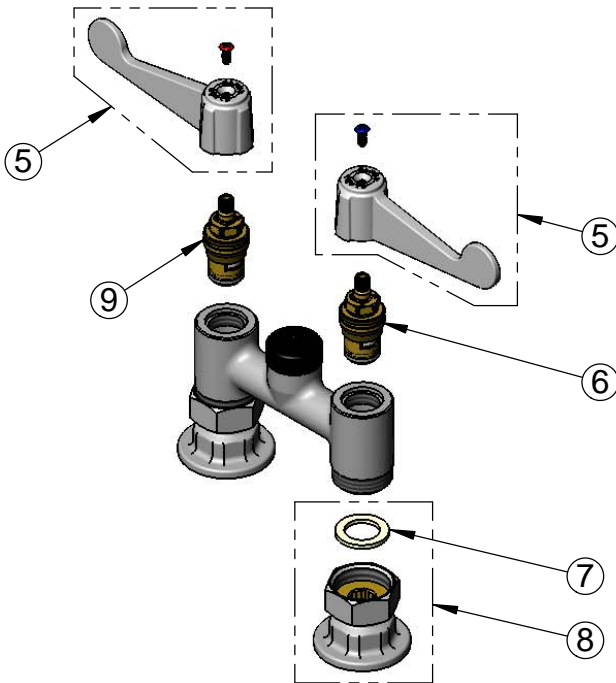
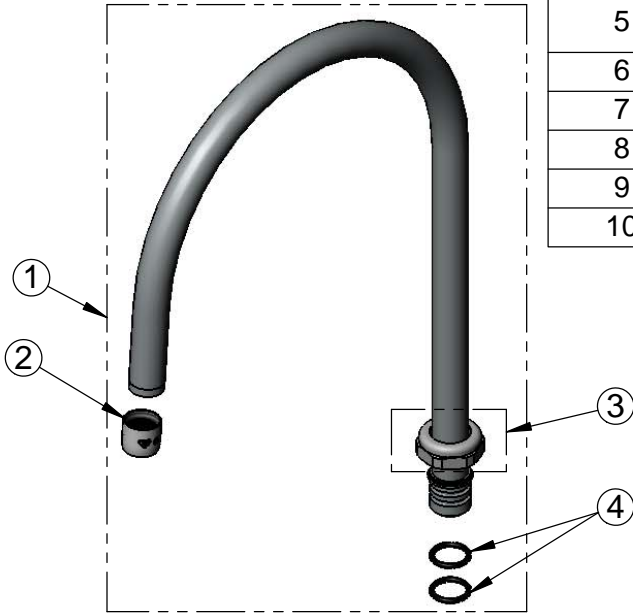
ASME A112.18.1 / CSA B125.1
NSF 61 - Section 9
NSF 372 (Low Lead Content)
ANSI A117.1 (ADA)

equip
Foodservice
Accessories



2 Saddleback Cove, P.O. Box 1088
Travelers Rest, South Carolina 29690
Phone: 800.891.4808 Fax: 800.868.0084
equip.tsbrass.com

ITEM NO.	SALES NO.	DESCRIPTION
1	5SP-09	9" equip Swivel Gooseneck
2	014250-45	Laminar Flow Device
3	013839-25	equip Swivel Nut
4	013848-45	equip Swivel Piece O-ring
5	5-HDL-W	equip 4" Wrist Action Handle w/ Color Coded Screws
6	013788-45	equip Ceramic Cartridge, LTC
7	001019-45	Coupling Nut Washer
8	00AA	1/2" NPT Female Eccentric Flange
9	013787-45	equip Ceramic Cartridge, RTC
10	B-0425-M	1/2" NPT Supply Nipple Kit (2)



Model Number

5F-4DWS09

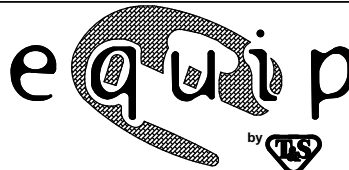
Product Specifications:

4" Deck Mount Mixing Faucet w/ Quarter-Turn Ceramic Cartridges,
equip 4" Wrist Action Handles, 9" equip Swivel Gooseneck
& 1/2" NPT Supply Nipple Kit

Product Compliance:

ASME A112.18.1 / CSA B125.1
NSF 61 - Section 9
NSF 372 (Low Lead Content)
ANSI A117.1 (ADA)

equip
Foodservice
Accessories



2 Saddleback Cove, P.O. Box 1088
Travelers Rest, South Carolina 29690
Phone: 800.891.4808 Fax: 800.868.0084
equip.tsbrass.com