



ADA Compliant

This Space for Architect/Engineer Approval

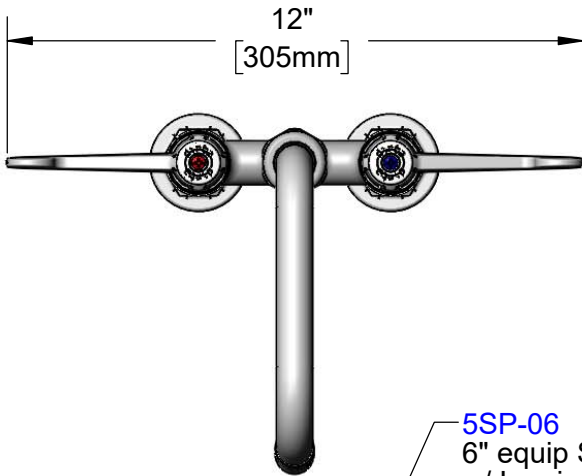
Job Name _____ Date _____

Model Specified _____ Quantity _____

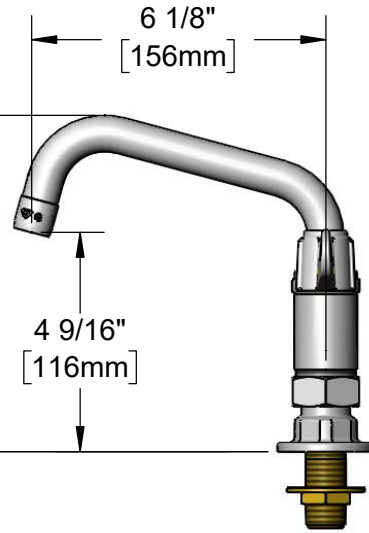
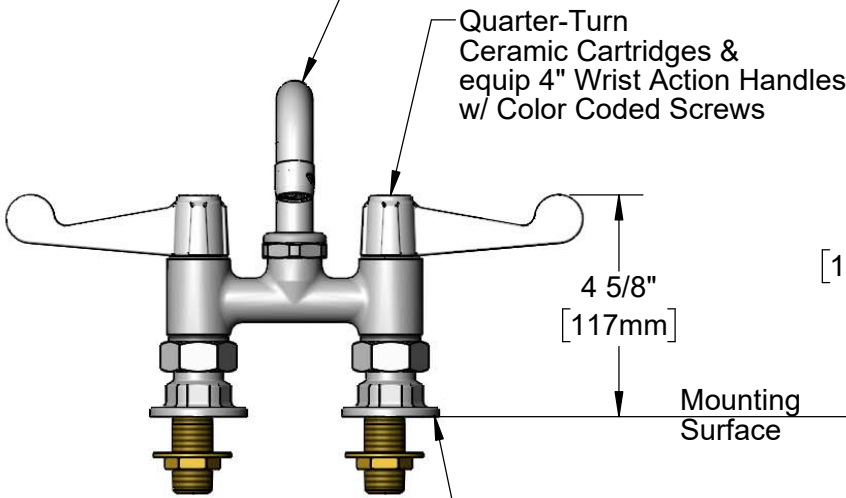
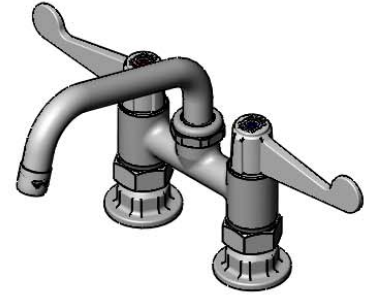
Customer/Wholesaler _____

Contractor _____

Architect/Engineer _____



5SP-06
6" equip Swing Nozzle
w/ Laminar Flow Device.
Rigid Conversion Requires
014200-45 Lock Washer
(Sold Separately)



Mounting Surface

4" [102mm]
Adjustable from
3 3/4" to 4 1/4"
[95mm to 108mm]

Ø 2" [51mm]
Flanges w/ 1/2" NPT
Female Inlets



B-0425-M
Supply Nipple Kit
(Included)

Rough-In Requirement:
(2) Ø 1" [25mm] Mounting Holes

Model Number

5F-4DWS06

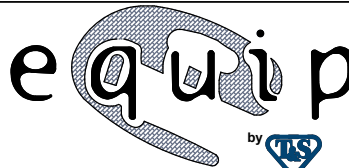
Product Specifications:

4" Deck Mount Faucet w/ Quarter-Turn Ceramic Cartridges,
equip 4" Wrist Action Handles, 6" equip Swing Nozzle
& 1/2" NPT Supply Nipple Kit

Product Compliance:

ASME A112.18.1 / CSA B125.1
NSF 61 - Section 9
NSF 372 (Low Lead Content)
ANSI A117.1 (ADA)

equip
Foodservice
Accessories



2 Saddleback Cove, P.O. Box 1088
Travelers Rest, South Carolina 29690
Phone: 800.891.4808 Fax: 800.868.0084
equip.tsbrass.com

Drawn: MRC

Checked: JRM

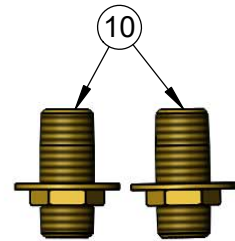
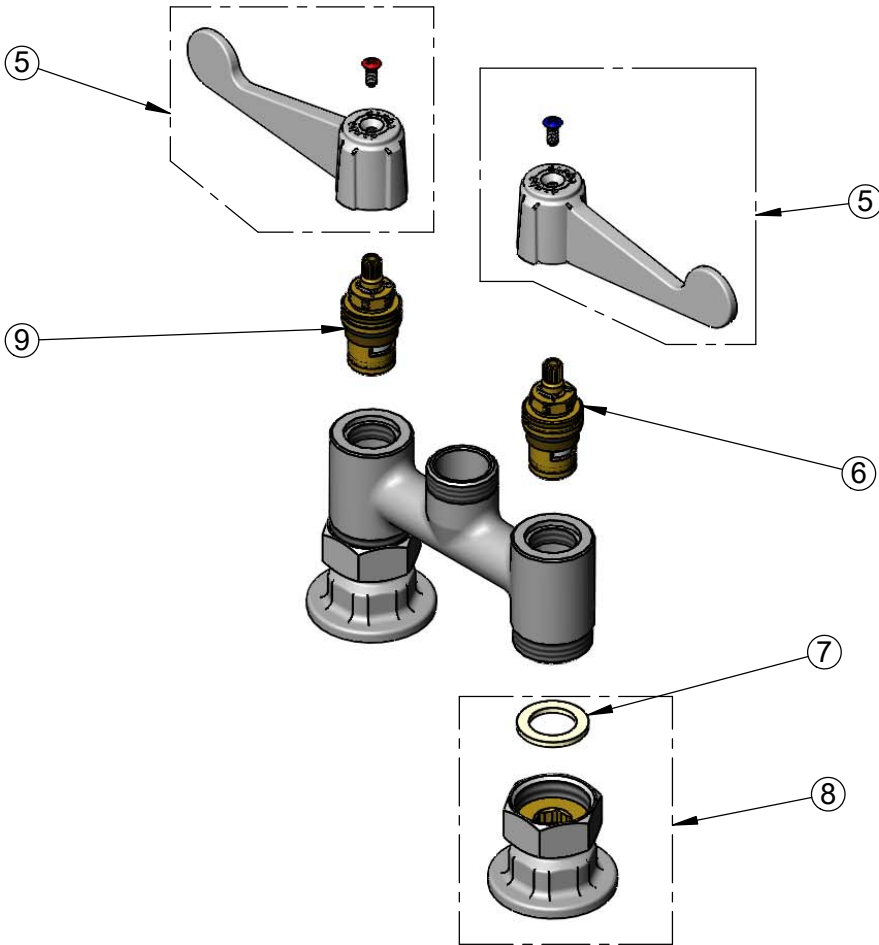
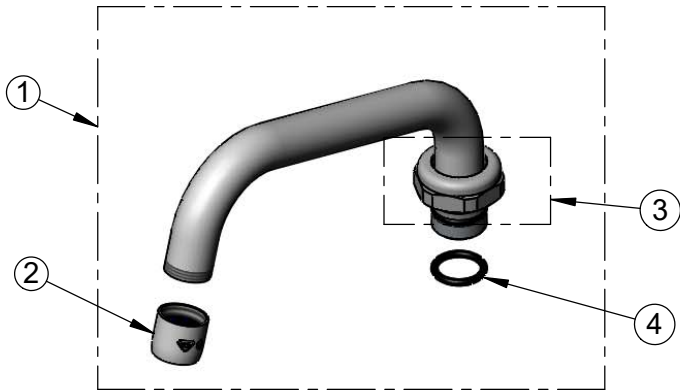
Approved: JHB

Date: 09/17/19

Scale: 1:4

Sheet: 1 of 2

ITEM NO.	SALES NO.	DESCRIPTION
1	5SP-06	6" equip Swing Nozzle
2	014250-45	Laminar Flow Device
3	013839-25	equip Swivel Nut
4	013848-45	equip Swivel Piece O-ring
5	5-HDL-W	equip 4" Wrist Action Handle w/ Color Coded Screws
6	013788-45	equip Quarter-Turn Ceramic Cartridge, LTC
7	001019-45	Coupling Nut Washer
8	00AA	1/2" NPT Female Eccentric Flange
9	013787-45	equip Quarter-Turn Ceramic Cartridge, RTC
10	B-0425-M	1/2" NPT Supply Nipple Kit (2)



Model Number

5F-4DWS06

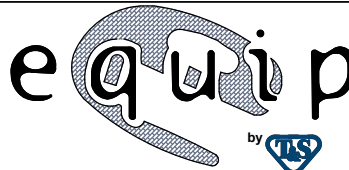
Product Specifications:

4" Deck Mount Faucet w/ Quarter-Turn Ceramic Cartridges,
equip 4" Wrist Action Handles, 6" equip Swing Nozzle
& 1/2" NPT Supply Nipple Kit

Product Compliance:

ASME A112.18.1 / CSA B125.1
NSF 61 - Section 9
NSF 372 (Low Lead Content)
ANSI A117.1 (ADA)

equip
Foodservice
Accessories



2 Saddleback Cove, P.O. Box 1088
Travelers Rest, South Carolina 29690
Phone: 800.891.4808 Fax: 800.868.0084
equip.tsbrass.com