



ADA Compliant

This Space for Architect/Engineer Approval

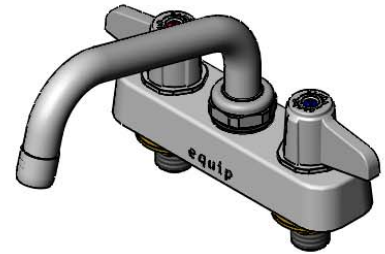
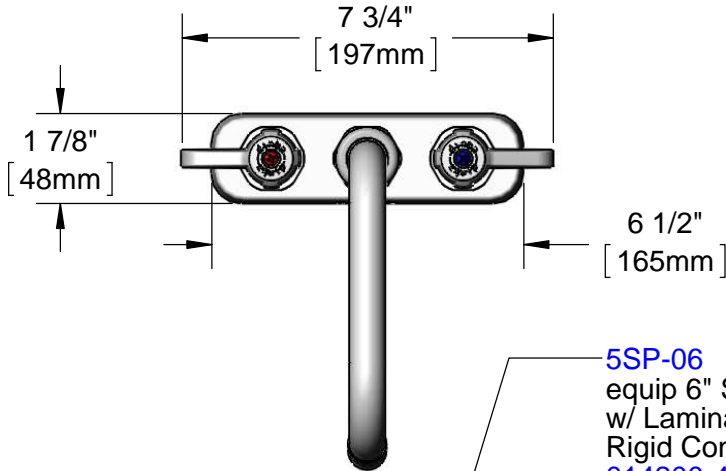
Job Name _____ Date _____

Model Specified _____ Quantity _____

Customer/Wholesaler _____

Contractor _____

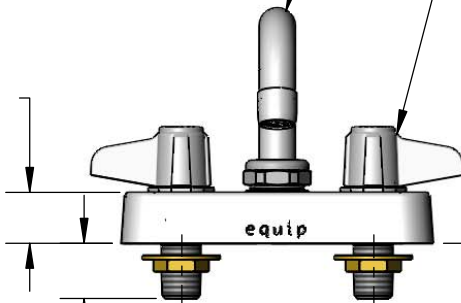
Architect/Engineer _____



5SP-06
 equip 6" Swing Nozzle
 w/ Laminar Full Flow Device.
 Rigid Conversion Requires
014200-45 Lock Washer
 (Sold Separately)

Ceramic Cartridges &
 equip Lever Handles w/
 Color Coded Screws

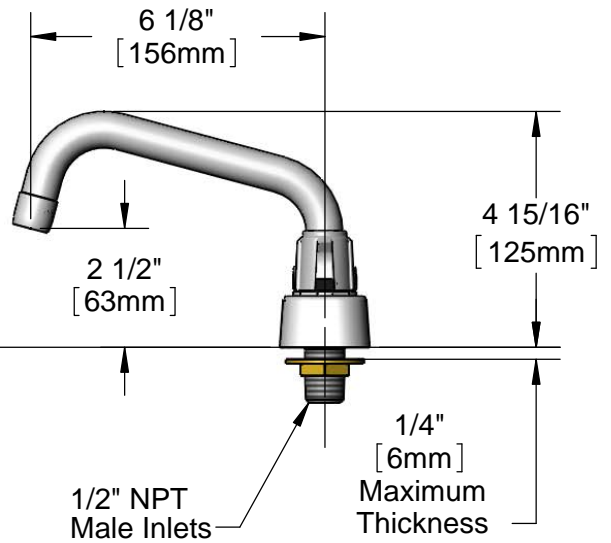
1 1/16"
[27mm]



Mounting Surface

1 1/8"
[29mm]

4"
[102mm]



1/2" NPT
Male Inlets

1/4"
[6mm]
Maximum
Thickness

Rough-in Requirement:
(2) Ø 1" [25mm] Mounting Holes

Model Number

5F-4CLX06

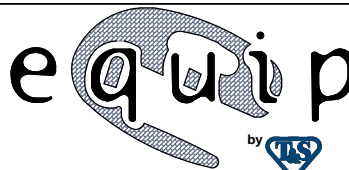
Product Specifications:

4" Deck Mount Mixing Faucet w/ Ceramic Cartridges,
equip Lever Handles, equip 6" Swing Nozzle
& 1/2" NPT Male Inlets

Product Compliance:

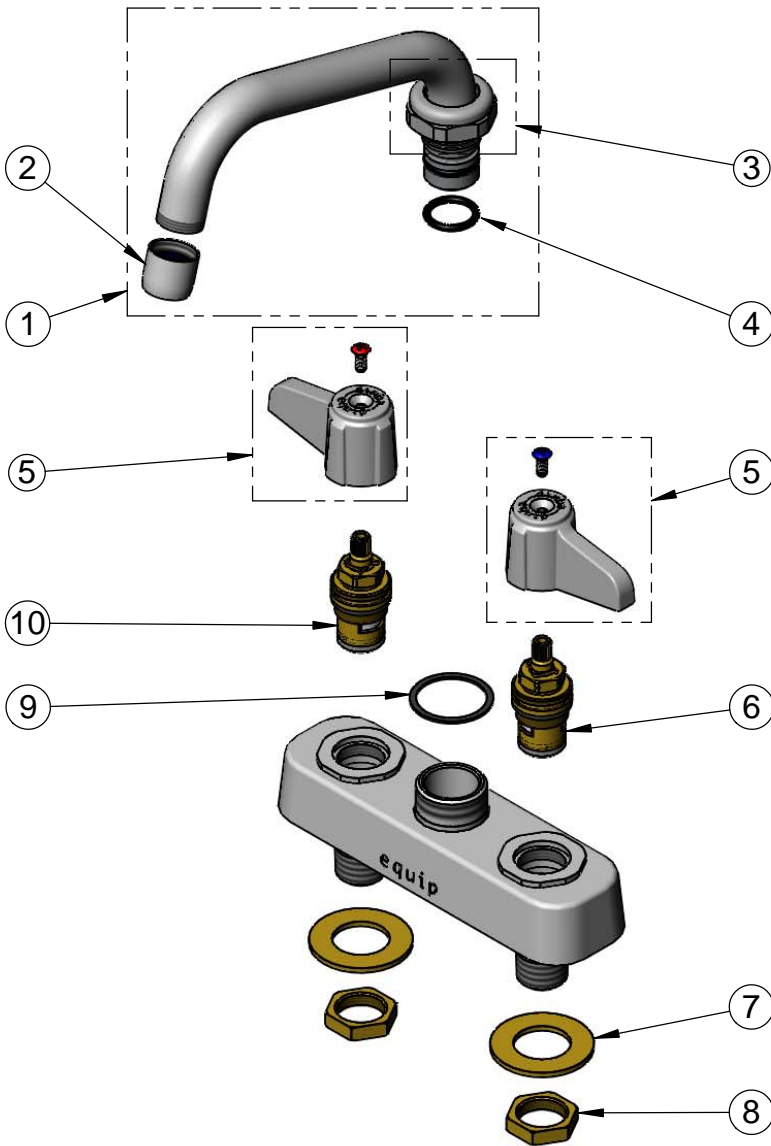
ASME A112.18.1 / CSA B125.1
NSF 61 - Section 9
NSF 372 (Low Lead Content)
ANSI A117.1 (ADA)

equip
Foodservice
Accessories



2 Saddleback Cove, P.O. Box 1088
Travelers Rest, South Carolina 29690
Phone: 800.891.4808 Fax: 800.868.0084
equip.tsbrass.com

ITEM NO.	SALES NO.	DESCRIPTION
1	5SP-06	equip 6" Swing Nozzle
2	014250-45	Laminar Full Flow Device
3	013839-25	equip Swivel Nut
4	013848-45	O-Ring
5	5-HDL-L	equip Lever Handle w/ Color Coded Screws
6	013788-45	equip Ceramic Cartridge, LTC
7	000999-45	Brass Lock Washer
8	002954-45	Shank Lock Nut
9	017587-45	Swivel Nut Seal
10	013787-45	equip Ceramic Cartridge, RTC



Model Number

5F-4CLX06

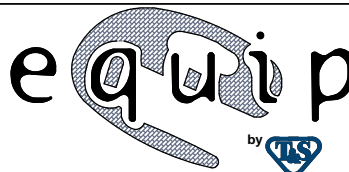
Product Specifications:

4" Deck Mount Mixing Faucet w/ Ceramic Cartridges,
equip Lever Handles, equip 6" Swing Nozzle
& 1/2" NPT Male Inlets

Product Compliance:

ASME A112.18.1 / CSA B125.1
NSF 61 - Section 9
NSF 372 (Low Lead Content)
ANSI A117.1 (ADA)

equip
Foodservice
Accessories



2 Saddleback Cove, P.O. Box 1088
Travelers Rest, South Carolina 29690
Phone: 800.891.4808 Fax: 800.868.0084
equip.tsbrass.com