



ADA Compliant

This Space for Architect/Engineer Approval

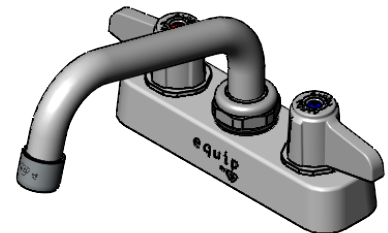
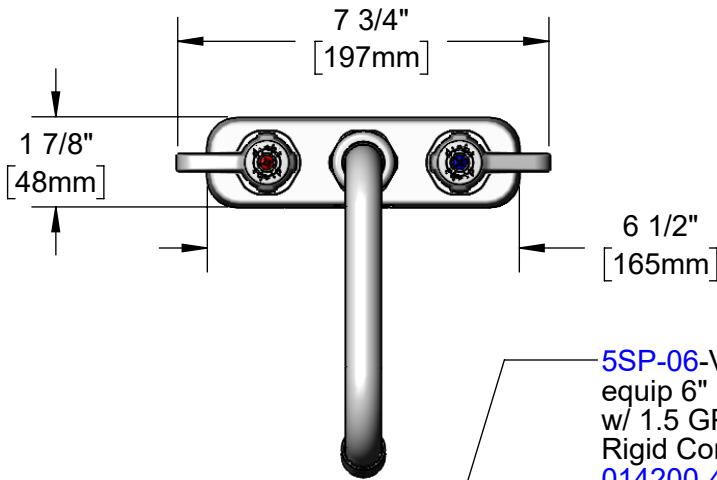
Job Name _____ Date _____

Model Specified _____ Quantity _____

Customer/Wholesaler _____

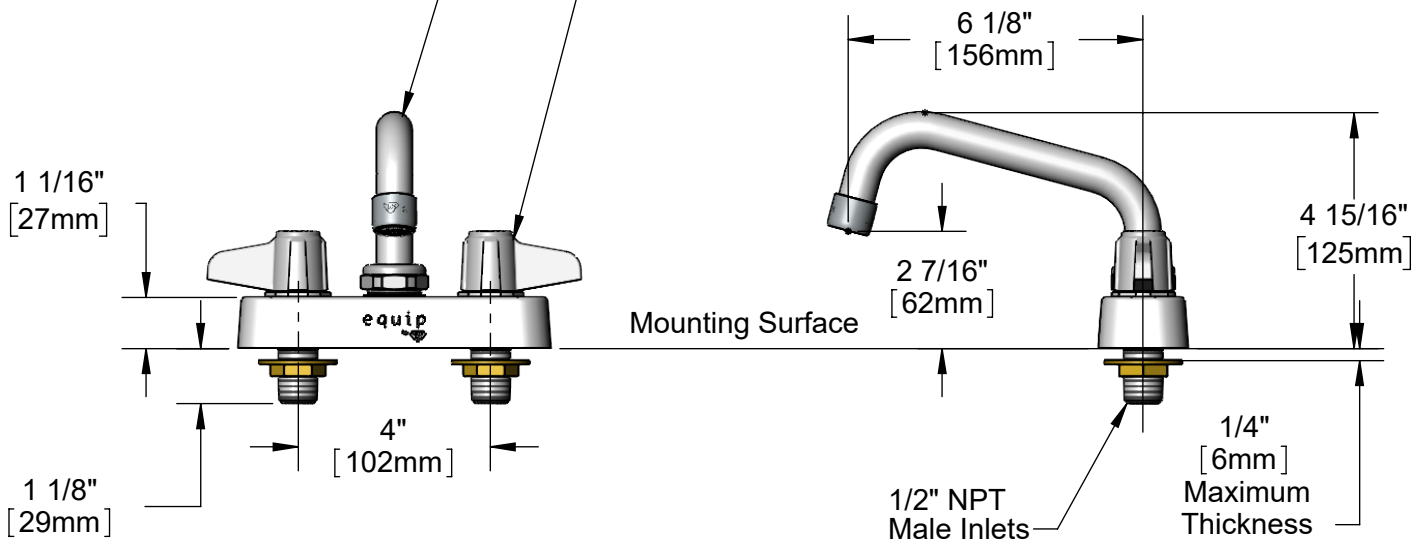
Contractor _____

Architect/Engineer _____



5SP-06-V15
 equip 6" Swing Nozzle
 w/ 1.5 GPM VR Aerator.
 Rigid Conversion Requires
 014200-45 Lock Washer
 (Sold Separately)

Ceramic Cartridges &
 equip Lever Handles w/
 Color Coded Screws



Rough-in Requirement:
 (2) Ø 1" [25mm] Mounting Holes

Model Number
5F-4CLX06V15

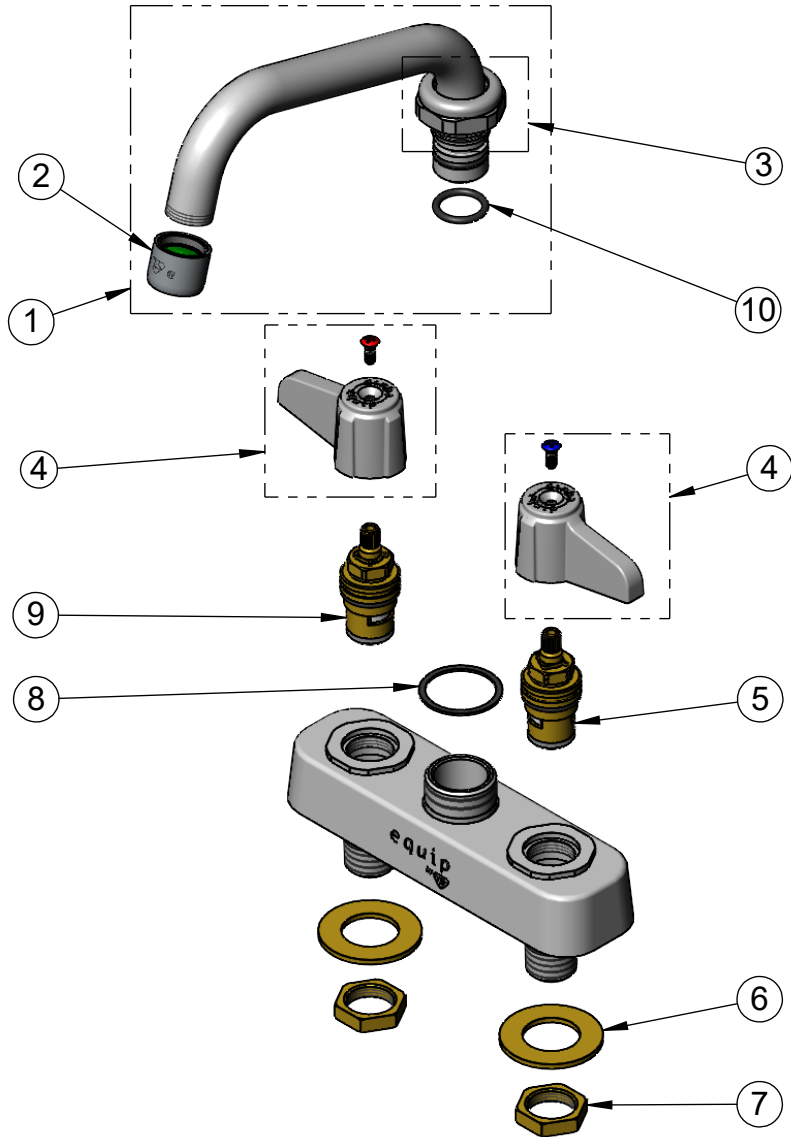
Product Specifications:
 4" Deck Mount Mixing Faucet w/ Ceramic Cartridges,
 equip Lever Handles, equip 6" Swing Nozzle
 w/ 1.5 GPM VR Aerator & 1/2" NPT Male Inlets

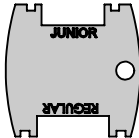
Product Compliance:
 ASME A112.18.1 / CSA B125.1
 NSF 61 - Section 9
 NSF 372 (Low Lead Content)
 ANSI A117.1 (ADA)

equip
 Foodservice
 Accessories

2 Saddleback Cove, P.O. Box 1088
 Travelers Rest, South Carolina 29690
 Phone: 800.891.4808 Fax: 800.868.0084
 equip.tsbrass.com

ITEM NO.	SALES NO.	DESCRIPTION
1	5SP-06-V15	equip 6" Swing Nozzle w/ 1.5 GPM VR Aerator
2	5F-VF15	1.5 GPM VR Aerator, 3/4-27 UN Female
3	013839-25	equip Swivel Nut
4	5-HDL-L	equip Lever Handle w/ Color Coded Screws
5	013788-45	equip Ceramic Cartridge, LTC
6	000999-45	Brass Lock Washer
7	002954-45	Shank Lock Nut
8	017587-45	Swivel Nut Seal
9	013787-45	equip Ceramic Cartridge, RTC
10	013848-45	O-Ring




[015425-45](#)
 Vandal Resistant
 Key

Model Number
5F-4CLX06V15

Product Specifications:
**4" Deck Mount Mixing Faucet w/ Ceramic Cartridges,
 equip Lever Handles, equip 6" Swing Nozzle
 w/ 1.5 GPM VR Aerator & 1/2" NPT Male Inlets**

Product Compliance:
 ASME A112.18.1 / CSA B125.1
 NSF 61 - Section 9
 NSF 372 (Low Lead Content)
 ANSI A117.1 (ADA)

equip
 Foodservice
 Accessories



2 Saddleback Cove, P.O. Box 1088
 Travelers Rest, South Carolina 29690
 Phone: 800.891.4808 Fax: 800.868.0084
equip.tsbrass.com