

This Space for Architect/Engineer Approval

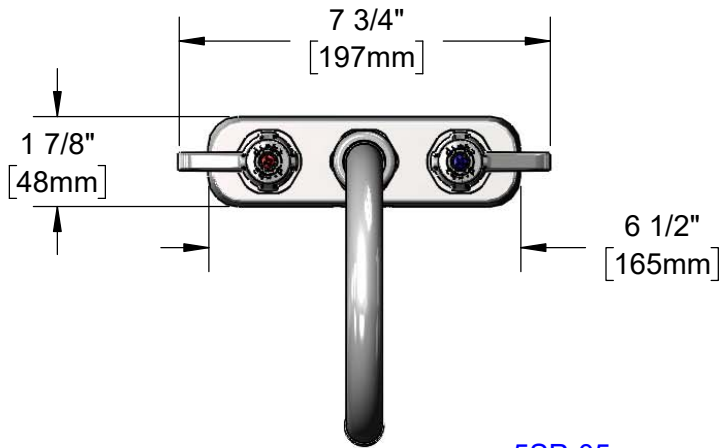
Job Name _____ Date _____

Model Specified _____ Quantity _____

Customer/Wholesaler _____

Contractor _____

Architect/Engineer _____



5SP-05
equip 5 9/16" Swivel Gooseneck
w/ Laminar Flow Device.
Rigid Conversion Requires
014200-45 Lock Washer
(Sold Separately)

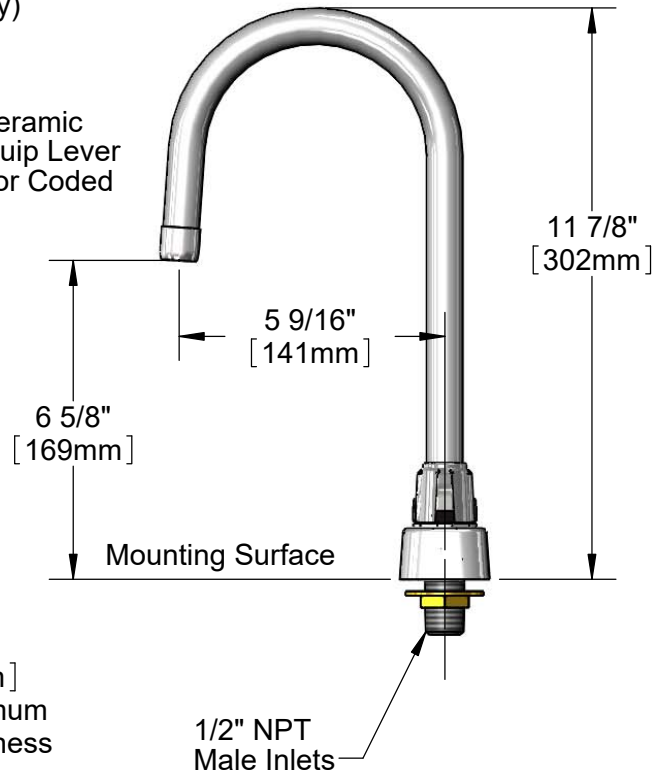
Quarter-Turn Ceramic
Cartridges & equip Lever
Handles w/ Color Coded
Screws

1 1/16"
[27mm]

1 1/8"
[29mm]

4"
[102mm]

1/4"
[6mm]
Maximum
Thickness



Rough-in Requirement:
(2) Ø 1" [25mm] Mounting Holes

Model Number

5F-4CLX05

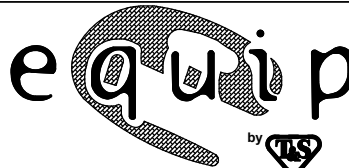
Product Specifications:

4" Deck Mount Workboard Mixing Faucet w/ Quarter-Turn Ceramic Cartridges, equip Lever Handles, equip 5 9/16" Swivel Gooseneck & 1/2" NPT Male Inlets

Product Compliance:

ASME A112.18.1 / CSA B125.1
NSF 61 - Section 9
NSF 372 (Low Lead Content)
ANSI A117.1 (ADA)

equip
Foodservice
Accessories



2 Saddleback Cove, P.O. Box 1088
Travelers Rest, South Carolina 29690
Phone: 800.891.4808 Fax: 800.868.0084
equip.tsbrass.com

Drawn: AMG

Checked: JRM

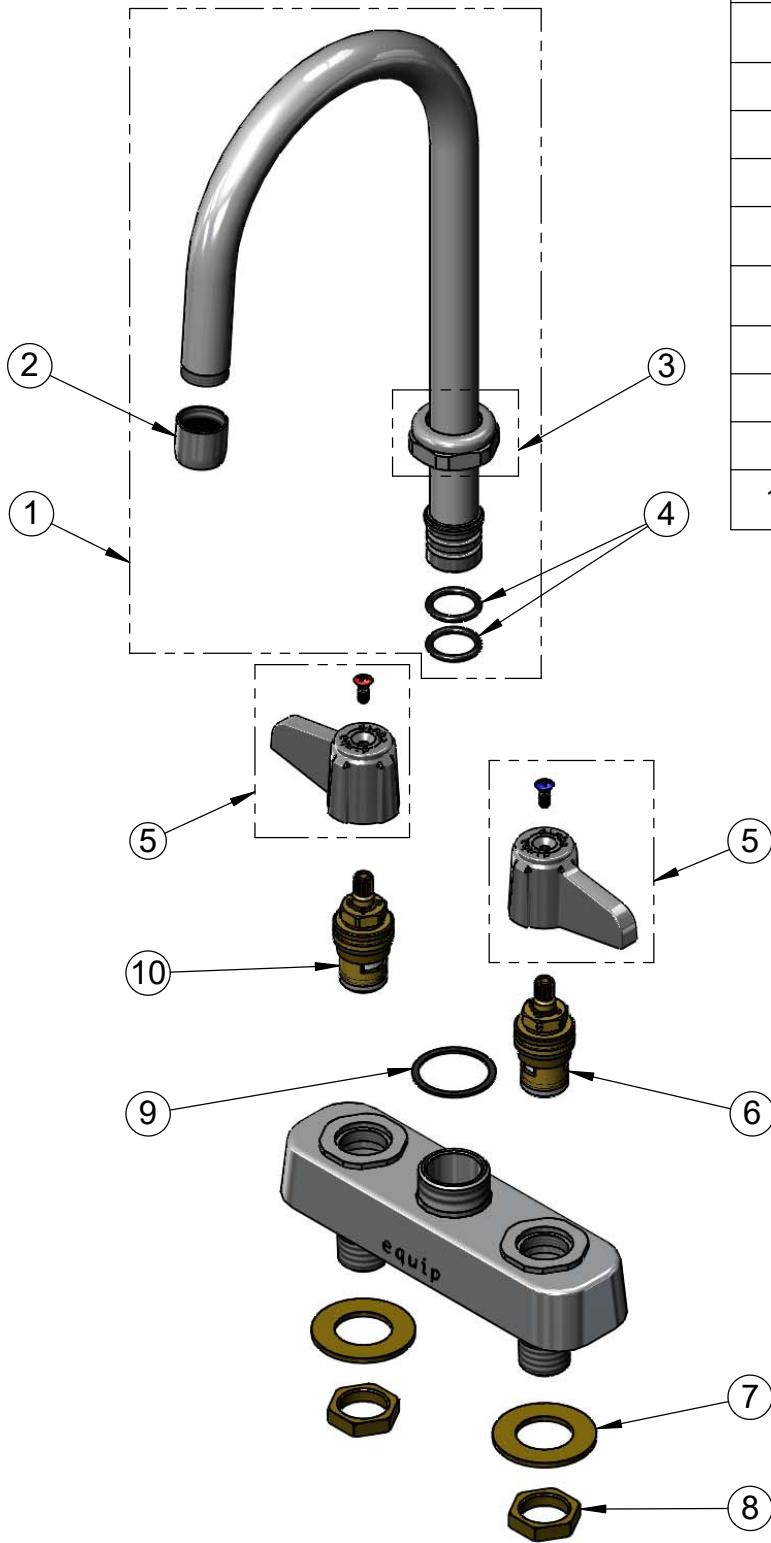
Approved: JHB

Date: 02/20/18

Scale: 1:4

Sheet: 1 of 2

| ITEM NO. | SALES NO. | DESCRIPTION |
|----------|-----------|--|
| 1 | 5SP-05 | equip 5 9/16" Swivel Gooseneck |
| 2 | 014250-45 | Laminar Flow Device |
| 3 | 013839-25 | equip Swivel Nut |
| 4 | 013848-45 | equip Swivel Piece O-Ring |
| 5 | 5-HDL-L | equip Lever Handle w/ Color Coded Screws |
| 6 | 013788-45 | Equip Ceramic Cartridge, LTC |
| 7 | 000999-45 | Brass Lock Washer |
| 8 | 002954-45 | Shank Lock Nut |
| 9 | 017587-45 | Swivel Nut Seal |
| 10 | 013787-45 | Equip Ceramic Cartridge, RTC |



Model Number

5F-4CLX05

Product Specifications:

4" Deck Mount Workboard Mixing Faucet w/ Quarter-Turn Ceramic Cartridges, equip Lever Handles, equip 5 9/16" Swivel Gooseneck & 1/2" NPT Male Inlets

Product Compliance:

ASME A112.18.1 / CSA B125.1
NSF 61 - Section 9
NSF 372 (Low Lead Content)
ANSI A117.1 (ADA)

equip
Foodservice
Accessories



2 Saddleback Cove, P.O. Box 1088
Travelers Rest, South Carolina 29690
Phone: 800.891.4808 Fax: 800.868.0084
equip.tsbrass.com