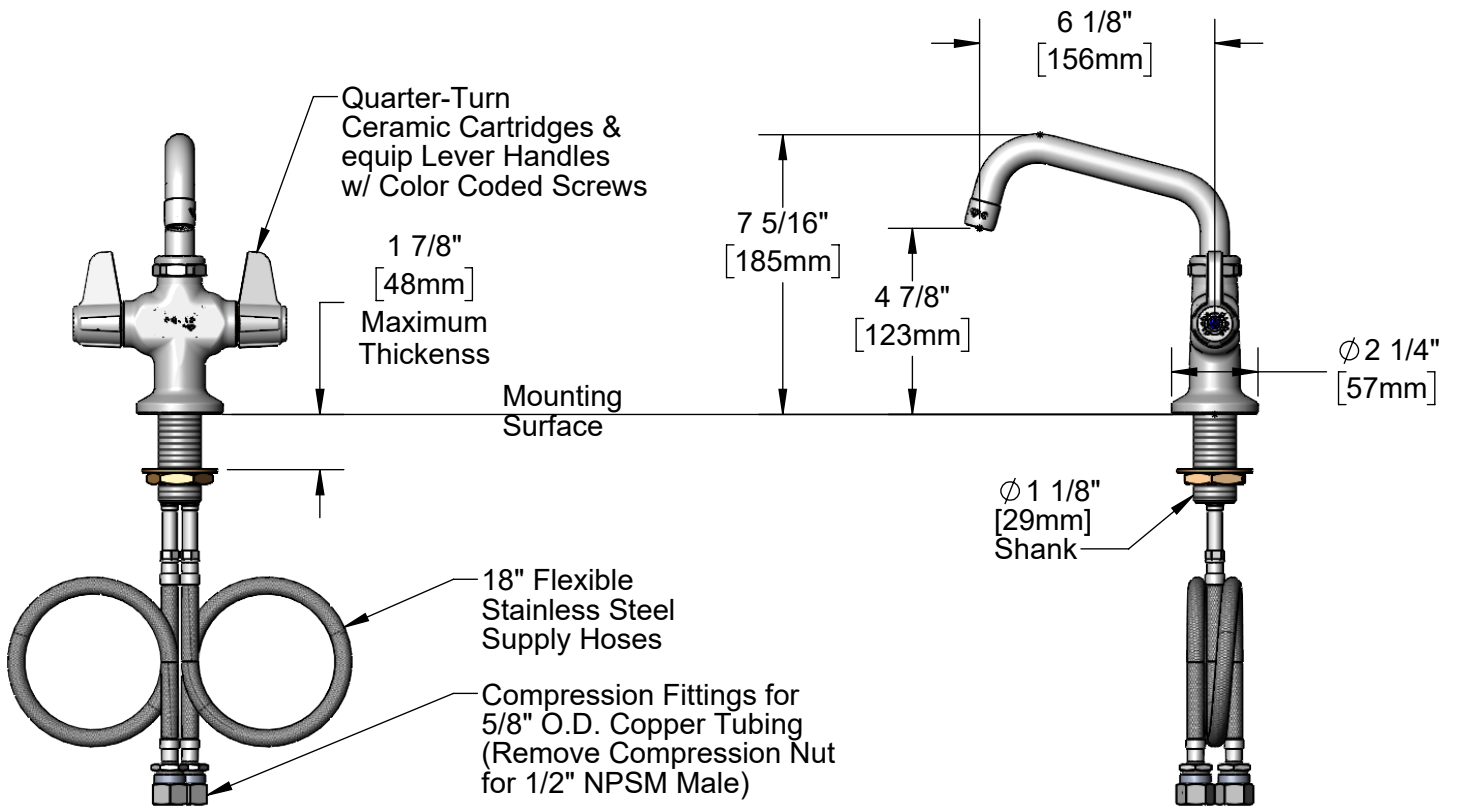


ADA Compliant

This Space for Architect/Engineer Approval

Job Name _____ Date _____
 Model Specified _____ Quantity _____
 Customer/Wholesaler _____
 Contractor _____
 Architect/Engineer _____

5SP-06
 6" equip Swivel Gooseneck
 w/ Laminar Flow Device.
 Rigid Conversion Requires
014200-45 Lock Washer
 (Sold Separately)



Rough-In Requirement:
 Ø 1 1/2" [38mm] Mounting Hole

Model Number
5F-2SLX06

Product Specifications:
 Single Hole Deck Mount Mixing Faucet w/ Quarter-Turn Ceramic Cartridges, equip Lever Handles, 6" equip Swing Nozzle & 18" Flexible Inlets

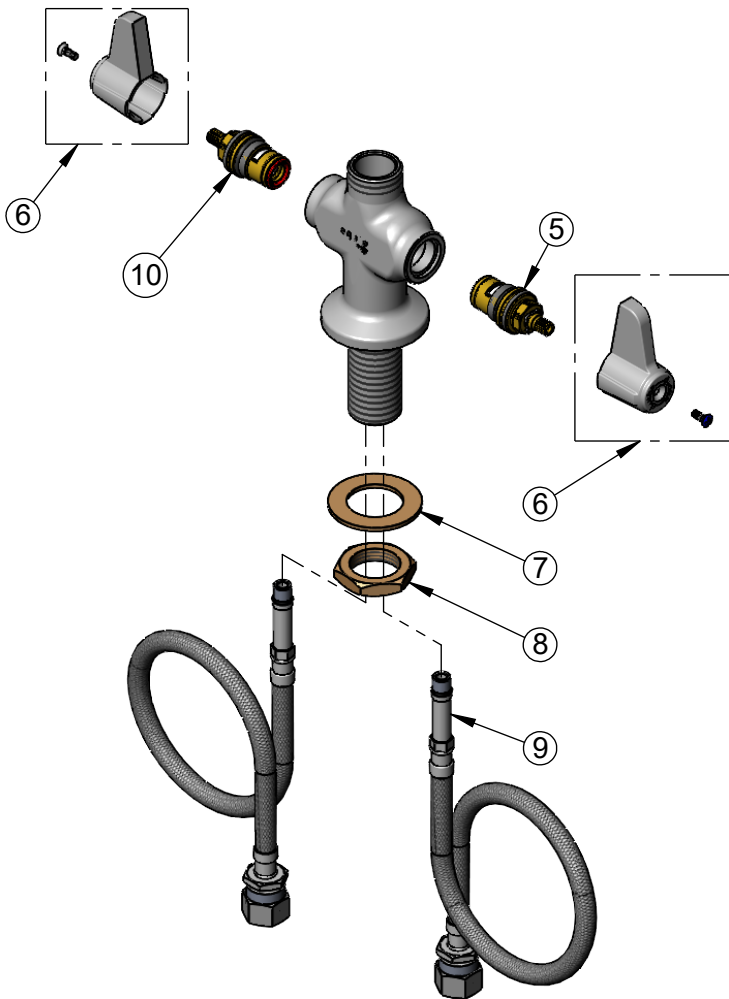
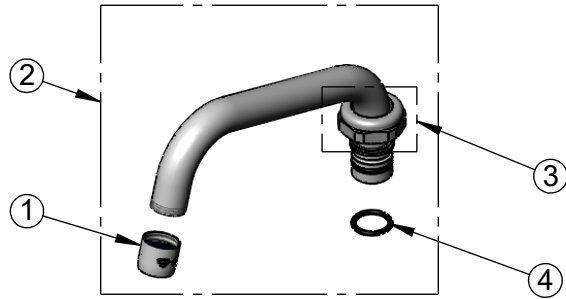
Product Compliance:
 ASME A112.18.1 / CSA B125.1
 NSF 61 - Section 9
 NSF 372 (Low Lead Content)
 ANSI A117.1 (ADA)

equip Foodservice Accessories



2 Saddleback Cove, P.O. Box 1088
 Travelers Rest, South Carolina 29690
 Phone: 800.891.4808 Fax: 800.868.0084
 equip.tsbrass.com

| ITEM NO. | SALES NO. | DESCRIPTION |
|----------|-----------|---|
| 1 | 014250-45 | Laminar Flow Device |
| 2 | 5SP-06 | 6" equip Swing Nozzle |
| 3 | 013839-25 | equip Swivel Nut |
| 4 | 013848-45 | equip Swivel Piece O-Ring |
| 5 | 013788-45 | equip Quarter-Turn Ceramic Cartridge, LTC |
| 6 | 5-HDL-L | equip Lever Handle w/ Color Coded Screws |
| 7 | 002290-45 | Lock Washer |
| 8 | 000965-45 | Lock Nut |
| 9 | 012534-45 | 18" Flexible Supply Hose (2) |
| 10 | 013787-45 | equip Quarter-Turn Ceramic Cartridge, RTC |



Model Number

5F-2SLX06

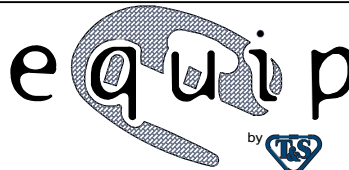
Product Specifications:

Single Hole Deck Mount Mixing Faucet w/ Quarter-Turn Ceramic Cartridges, equip Lever Handles, 6" equip Swing Nozzle & 18" Flexible Inlets

Product Compliance:

ASME A112.18.1 / CSA B125.1
NSF 61 - Section 9
NSF 372 (Low Lead Content)
ANSI A117.1 (ADA)

equip
Foodservice
Accessories



2 Saddleback Cove, P.O. Box 1088
Travelers Rest, South Carolina 29690
Phone: 800.891.4808 Fax: 800.868.0084
equip.tsbrass.com