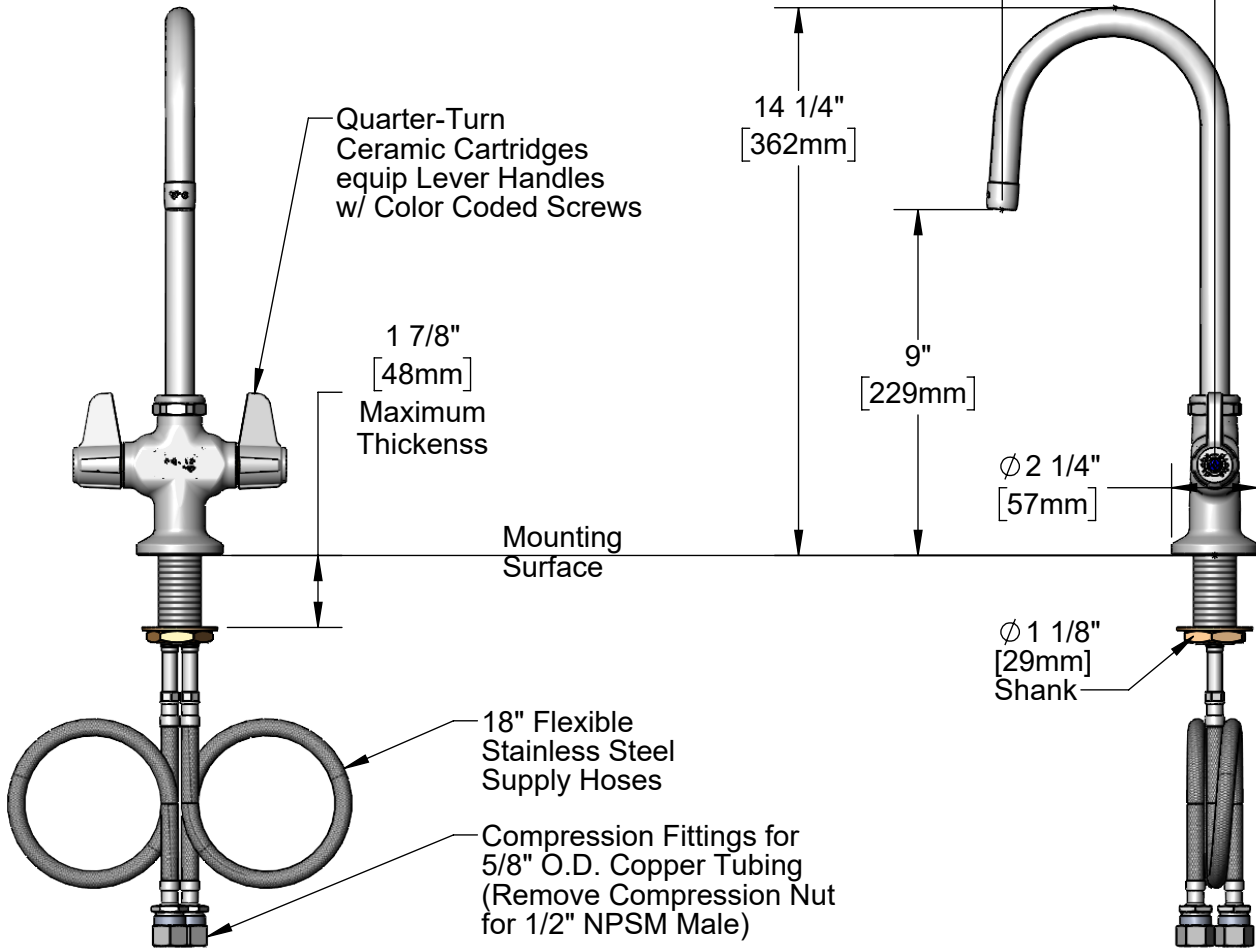
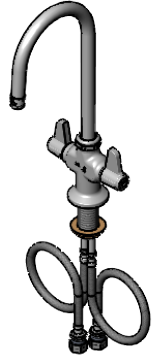


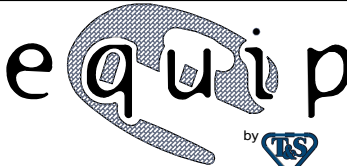

ADA Compliant

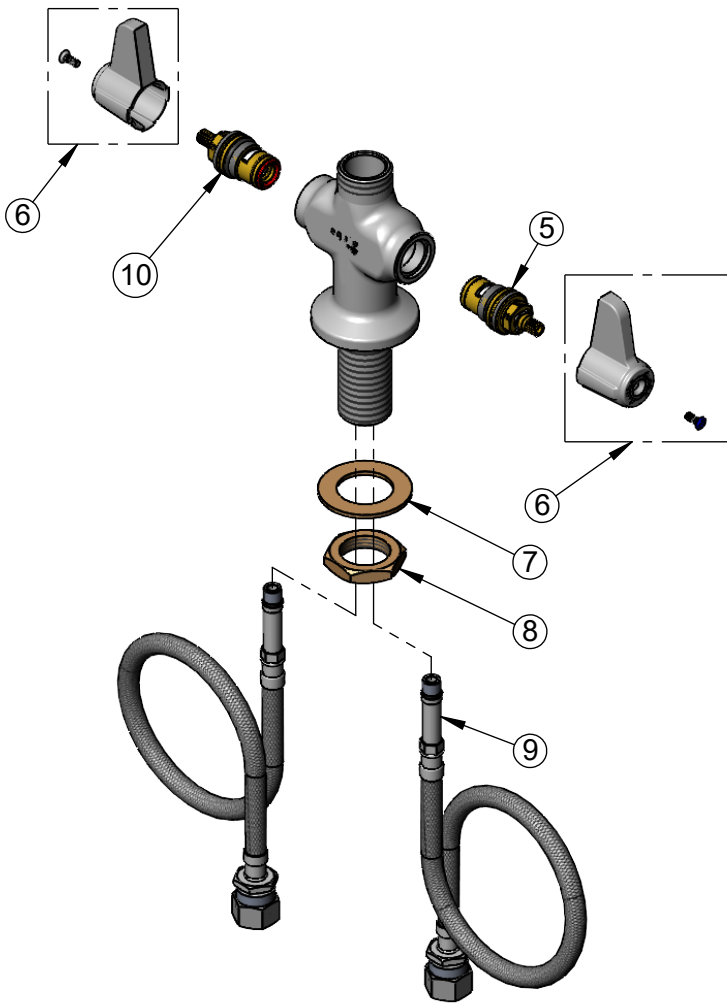
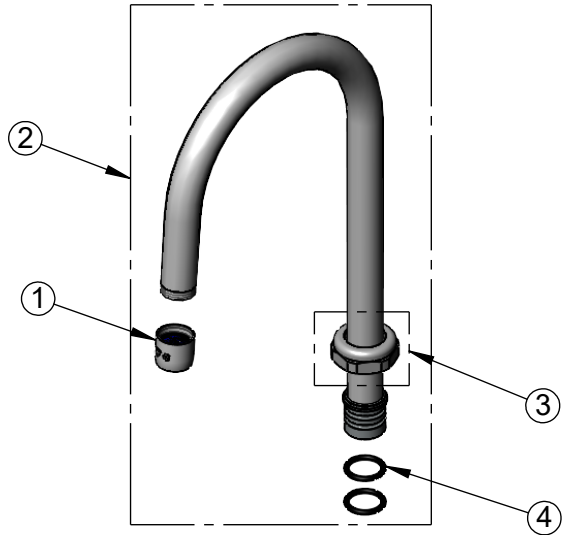
This Space for Architect/Engineer Approval
 Job Name _____ Date _____
 Model Specified _____ Quantity _____
 Customer/Wholesaler _____
 Contractor _____
 Architect/Engineer _____

5SP-05
 5 1/2" equip Swivel Gooseneck
 w/ Laminar Flow Device.
 Rigid Conversion Requires
014200-45 Lock Washer
 (Sold Separately)



Rough-In Requirement:
 Ø 1 1/2" [38mm] Mounting Hole

| | |
|---|--|
| Model Number <p style="text-align: center;">5F-2SLX05</p> | Product Specifications: <p style="text-align: center;">Single Hole Deck Mount Mixing Faucet w/ Quarter-Turn Ceramic Cartridges, equip Lever Handles, 5 1/2" equip Swivel Gooseneck & 18" Flexible Inlets</p> |
| Product Compliance: ASME A112.18.1 / CSA B125.1 NSF 61 - Section 9 NSF 372 (Low Lead Content) ANSI A117.1 (ADA) | <div style="display: flex; justify-content: space-between; align-items: center;"> <div data-bbox="604 1906 740 1980"> <p>equip Foodservice Accessories</p> </div> <div data-bbox="747 1860 1091 2024">  </div> <div data-bbox="1101 1894 1570 1995"> <p>2 Saddleback Cove, P.O. Box 1088 Travelers Rest, South Carolina 29690 Phone: 800.891.4808 Fax: 800.868.0084 equip.tsbrass.com</p> </div> </div> |



| ITEM NO. | SALES NO. | DESCRIPTION |
|----------|-----------|---|
| 1 | 014250-45 | Laminar Flow Device |
| 2 | 5SP-05 | 5 1/2" equip Swivel Gooseneck |
| 3 | 013839-25 | equip Swivel Nut |
| 4 | 013848-45 | O-Ring |
| 5 | 013788-45 | equip Quarter-Turn Ceramic Cartridge, LTC |
| 6 | 5-HDL-L | equip Lever Handle w/ Color Coded Screws |
| 7 | 002290-45 | Lock Washer |
| 8 | 000965-45 | Lock Nut |
| 9 | 012534-45 | 18" Flexible Supply Hose (2) |
| 10 | 013787-45 | equip Quarter-Turn Ceramic Cartridge, RTC |

Model Number

5F-2SLX05

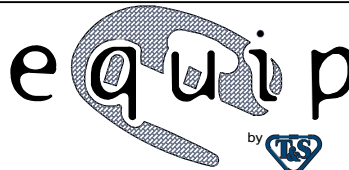
Product Specifications:

Single Hole Deck Mount Mixing Faucet w/ Quarter-Turn Ceramic Cartridges, equip Lever Handles, 5 1/2" equip Swivel Gooseneck & 18" Flexible Inlets

Product Compliance:

ASME A112.18.1 / CSA B125.1
 NSF 61 - Section 9
 NSF 372 (Low Lead Content)
 ANSI A117.1 (ADA)

equip
 Foodservice
 Accessories



2 Saddleback Cove, P.O. Box 1088
 Travelers Rest, South Carolina 29690
 Phone: 800.891.4808 Fax: 800.868.0084
 equip.tsbrass.com