

ADA Compliant

This Space for Architect/Engineer Approval

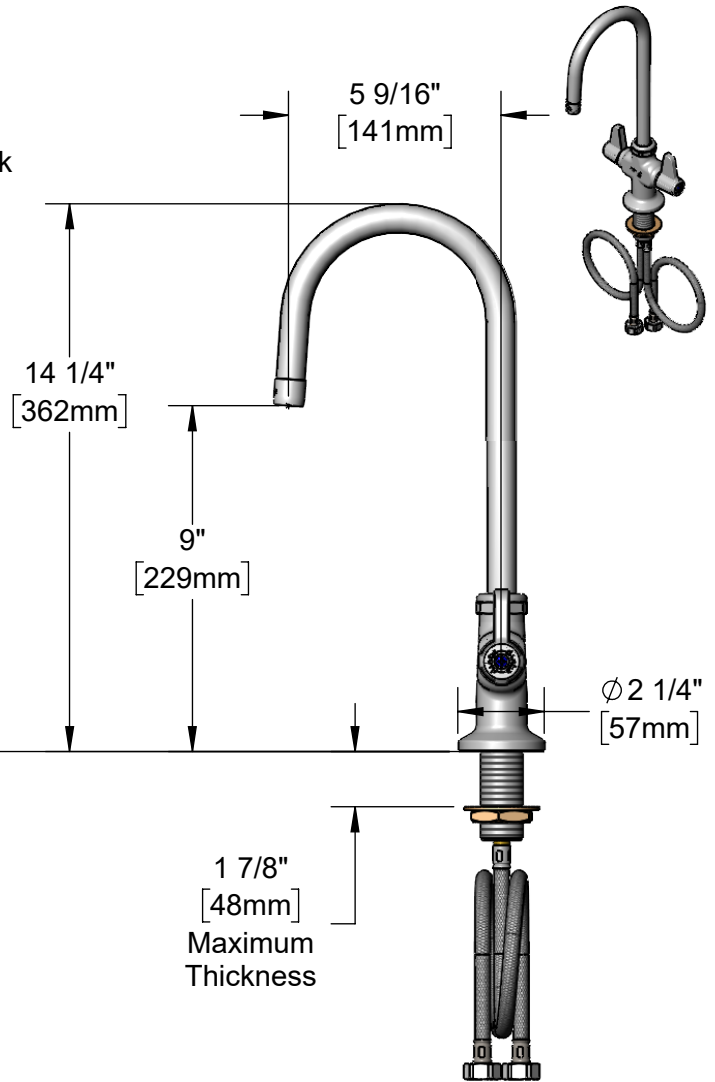
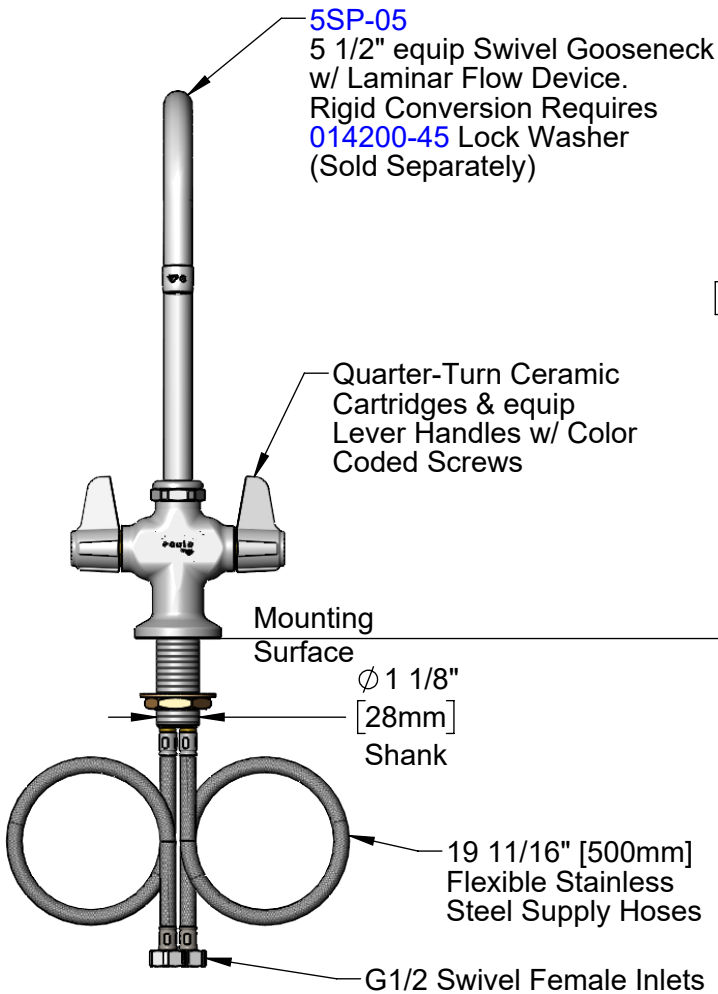
Job Name _____ Date _____

Model Specified _____ Quantity _____

Customer/Wholesaler _____

Contractor _____

Architect/Engineer _____



Rough-In Requirement:
 Ø 1 1/2" [38mm] Mounting Hole

Model Number
5F-2SLF05

Product Compliance:
 ASME A112.18.1 / CSA B125.1
 NSF 61 - Section 9
 NSF 372 (Low Lead Content)
 ANSI A117.1 (ADA)

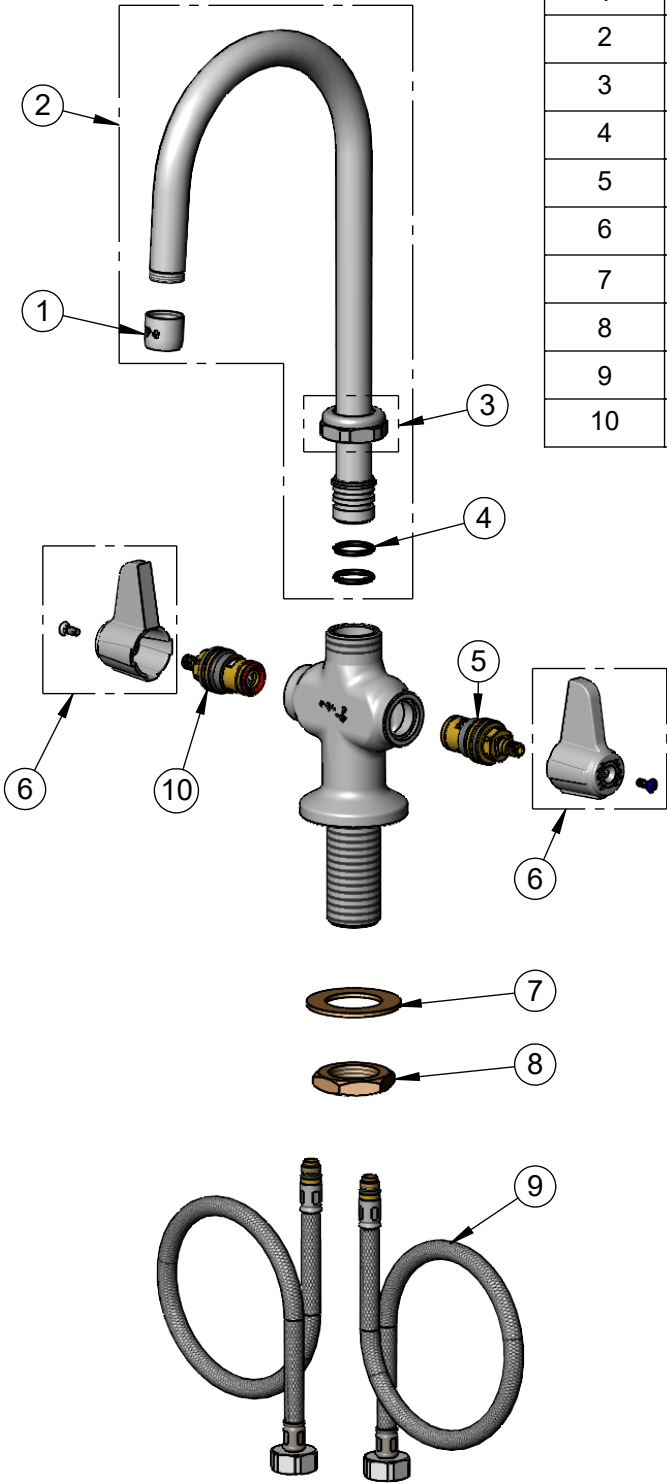
Product Specifications:
 Single Hole Deck Mount Mixing Faucet w/ Quarter-Turn Ceramic Cartridges, equip Lever Handles, 5 9/16" equip Swivel Gooseneck, 19-11/16" Flexible Supply Hoses w/ G1/2 Female Swivel Inlets

equip Foodservice Accessories



2 Saddleback Cove, P.O. Box 1088
 Travelers Rest, South Carolina 29690
 Phone: 800.891.4808 Fax: 800.868.0084
 equip.tsbrass.com

| ITEM NO. | SALES NO. | DESCRIPTION |
|----------|-------------|---|
| 1 | 014250-45 | Laminar Flow Device |
| 2 | 5SP-05 | 5 1/2" equip Swivel Gooseneck |
| 3 | 013839-25 | equip Swivel Nut |
| 4 | 013848-45 | O-Ring |
| 5 | 013788-45 | equip Quarter-Turn Ceramic Cartridge, LTC |
| 6 | 5-HDL-L | equip Lever Handle w/ Color Coded Screws |
| 7 | 002290-45 | Lock Washer |
| 8 | 000965-45 | Lock Nut |
| 9 | 012436-45DR | Flexible Connector Hose |
| 10 | 013787-45 | equip Quarter-Turn Ceramic Cartridge, RTC |



Model Number

5F-2SLF05

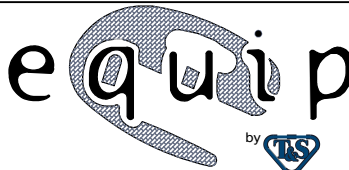
Product Specifications:

Single Hole Deck Mount Mixing Faucet w/ Quarter-Turn Ceramic Cartridges, equip Lever Handles, 5 9/16" equip Swivel Gooseneck, 19-11/16" Flexible Supply Hoses w/ G1/2 Female Swivel Inlets

Product Compliance:

ASME A112.18.1 / CSA B125.1
NSF 61 - Section 9
NSF 372 (Low Lead Content)
ANSI A117.1 (ADA)

equip
Foodservice
Accessories



2 Saddleback Cove, P.O. Box 1088
Travelers Rest, South Carolina 29690
Phone: 800.891.4808 Fax: 800.868.0084
equip.tsbrass.com