



ADA Compliant

This Space for Architect/Engineer Approval

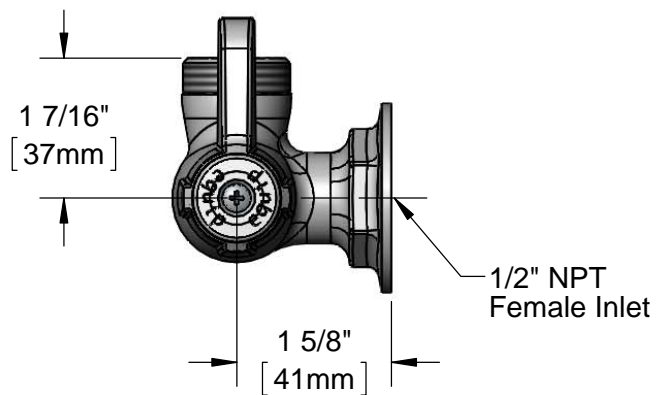
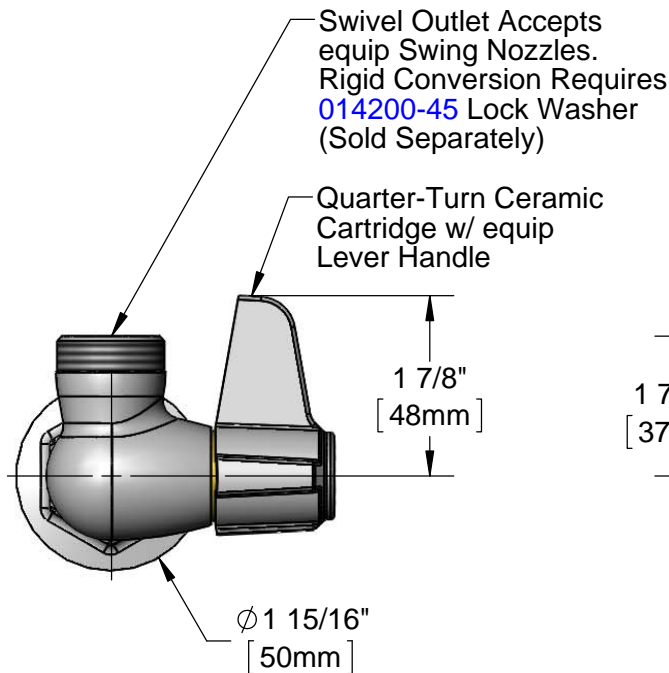
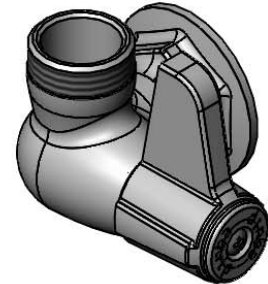
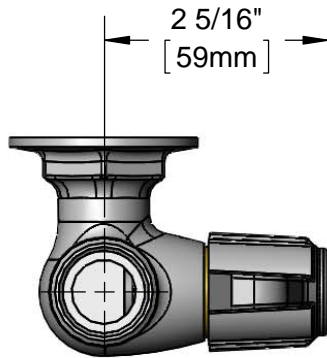
Job Name _____ Date _____

Model Specified _____ Quantity _____

Customer/Wholesaler _____

Contractor _____

Architect/Engineer _____



Model Number

5F-1WLX00

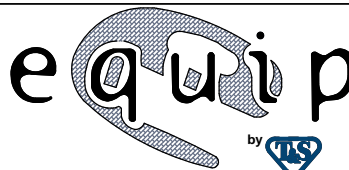
Product Specifications:

Single Supply Wall Mount Faucet, Quarter-Turn Ceramic Cartridge, Lever Handle & 1/2" NPT Female Inlet

Product Compliance:

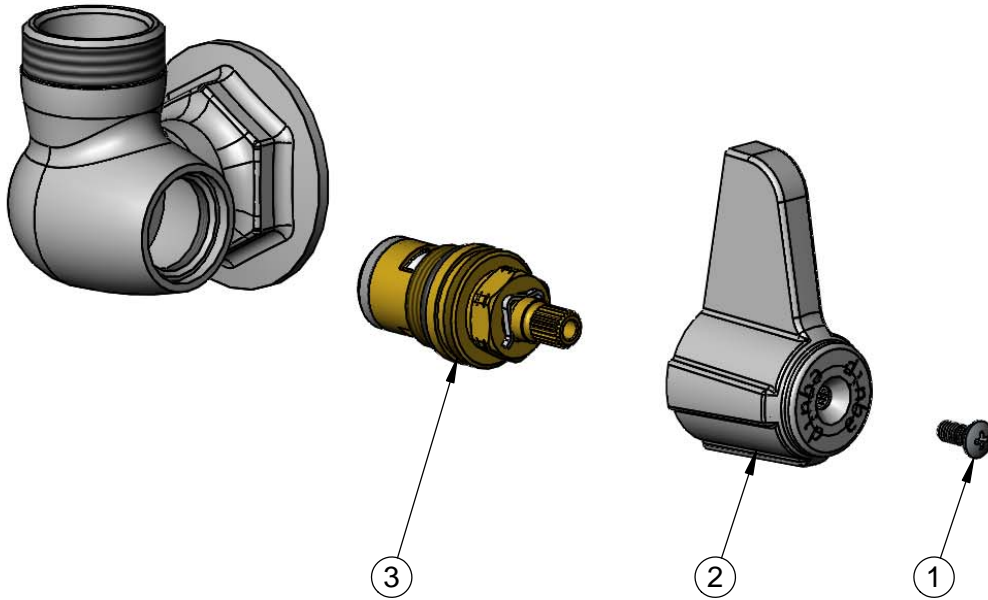
ASME A112.18.1 / CSA B125.1
NSF 61 - Section 9
NSF 372 (Low Lead Content)
ANSI A117.1 (ADA)

equip
Foodservice
Accessories



2 Saddleback Cove, P.O. Box 1088
Travelers Rest, South Carolina 29690
Phone: 800.891.4808 Fax: 800.868.0084
equip.tsbrass.com

ITEM NO.	SALES NO.	DESCRIPTION
1	013849-45	Screw, 4mm Metric (10)
2	5-HDL-L	equip Lever Handle
3	013787-45	equip Ceramic Cartridge, RTC



Model Number

5F-1WLX00

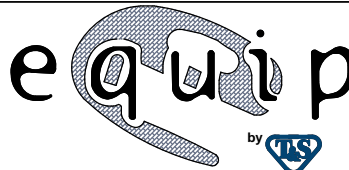
Product Specifications:

Single Supply Wall Mount Faucet, Quarter-Turn Ceramic Cartridge, Lever Handle & 1/2" NPT Female Inlet

Product Compliance:

ASME A112.18.1 / CSA B125.1
 NSF 61 - Section 9
 NSF 372 (Low Lead Content)
 ANSI A117.1 (ADA)

equip
 Foodservice
 Accessories



2 Saddleback Cove, P.O. Box 1088
 Travelers Rest, South Carolina 29690
 Phone: 800.891.4808 Fax: 800.868.0084
 equip.tsbrass.com