



ADA Compliant

This Space for Architect/Engineer Approval

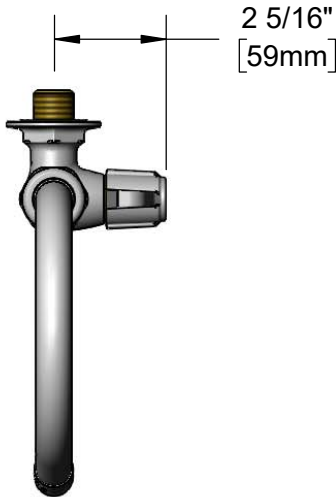
Job Name _____ Date _____

Model Specified _____ Quantity _____

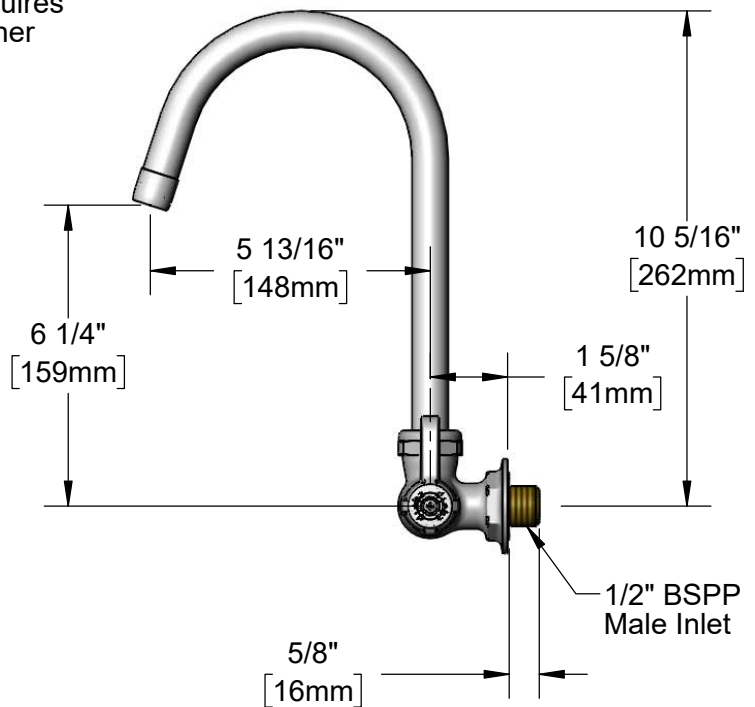
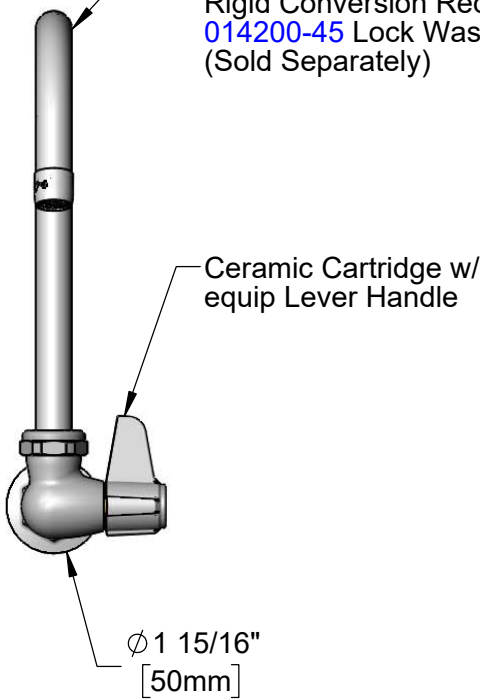
Customer/Wholesaler _____

Contractor _____

Architect/Engineer _____



5SP-05C
equip 5 13/16" Swivel Gooseneck
w/ Laminar Flow Device.
Rigid Conversion Requires
014200-45 Lock Washer
(Sold Separately)



Model Number

5F-1WLB05C

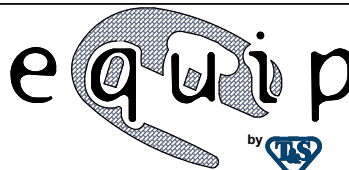
Product Specifications:

Single Supply Wall Mount Faucet w/ Ceramic Cartridge,
Lever Handle, 5 13/16" Swivel Gooseneck & 1/2" BSPP Male Inlet

Product Compliance:

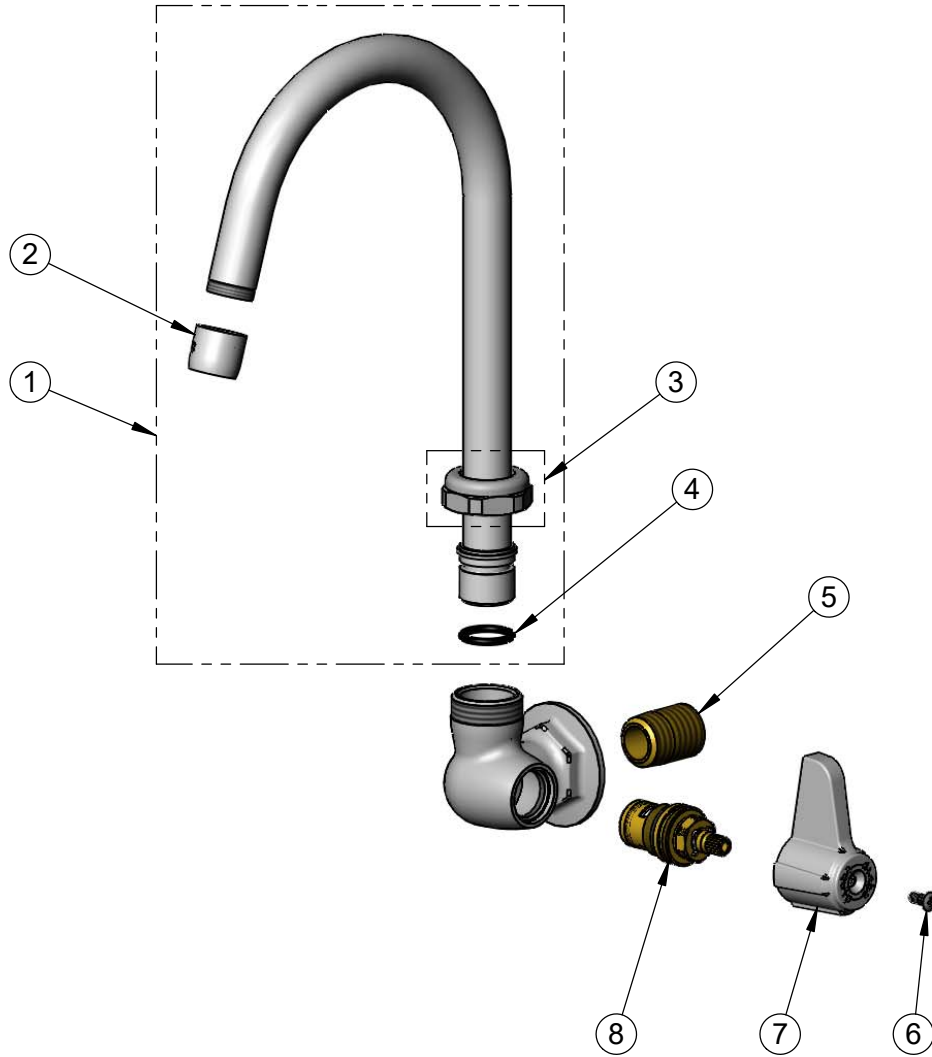
ASME A112.18.1 / CSA B125.1
NSF 61 - Section 9
NSF 372 (Low Lead Content)
ANSI A117.1 (ADA)

equip
Foodservice
Accessories



2 Saddleback Cove, P.O. Box 1088
Travelers Rest, South Carolina 29690
Phone: 800.891.4808 Fax: 800.868.0084
equip.tsbrass.com

ITEM NO.	SALES NO.	DESCRIPTION
1	5SP-05C	5 13/16" equip Swivel Gooseneck
2	014250-45	Laminar Full Flow Outlet Device
3	013839-25	equip Swivel Nut
4	013848-45	Swivel O-Ring (10)
5	019047-45	Supply Nipple, 1/2" NPT x 1/2" BSPP
6	013849-45	Screw, 4mm Metric (10)
7	5-HDL-L	equip Lever Handle
8	013787-45	equip Ceramic Cartridge, RTC



Model Number

5F-1WLB05C

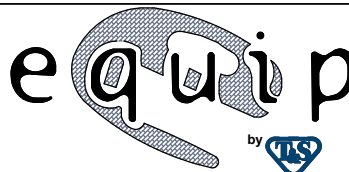
Product Specifications:

Single Supply Wall Mount Faucet w/ Ceramic Cartridge,
Lever Handle, 5 13/16" Swivel Gooseneck & 1/2" BSPP Male Inlet

Product Compliance:

ASME A112.18.1 / CSA B125.1
NSF 61 - Section 9
NSF 372 (Low Lead Content)
ANSI A117.1 (ADA)

equip
Foodservice
Accessories



2 Saddleback Cove, P.O. Box 1088
Travelers Rest, South Carolina 29690
Phone: 800.891.4808 Fax: 800.868.0084
equip.tsbrass.com