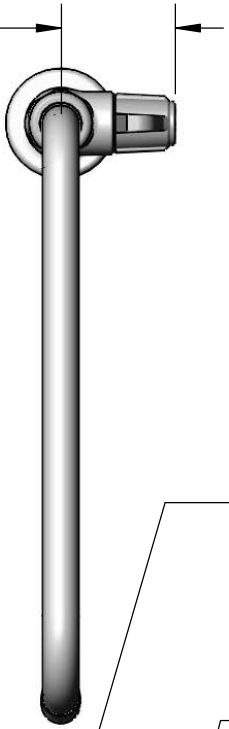


2 3/8"
[60mm]



ADA Compliant

This Space for Architect/Engineer Approval

Job Name _____ Date _____

Model Specified _____ Quantity _____

Customer/Wholesaler _____

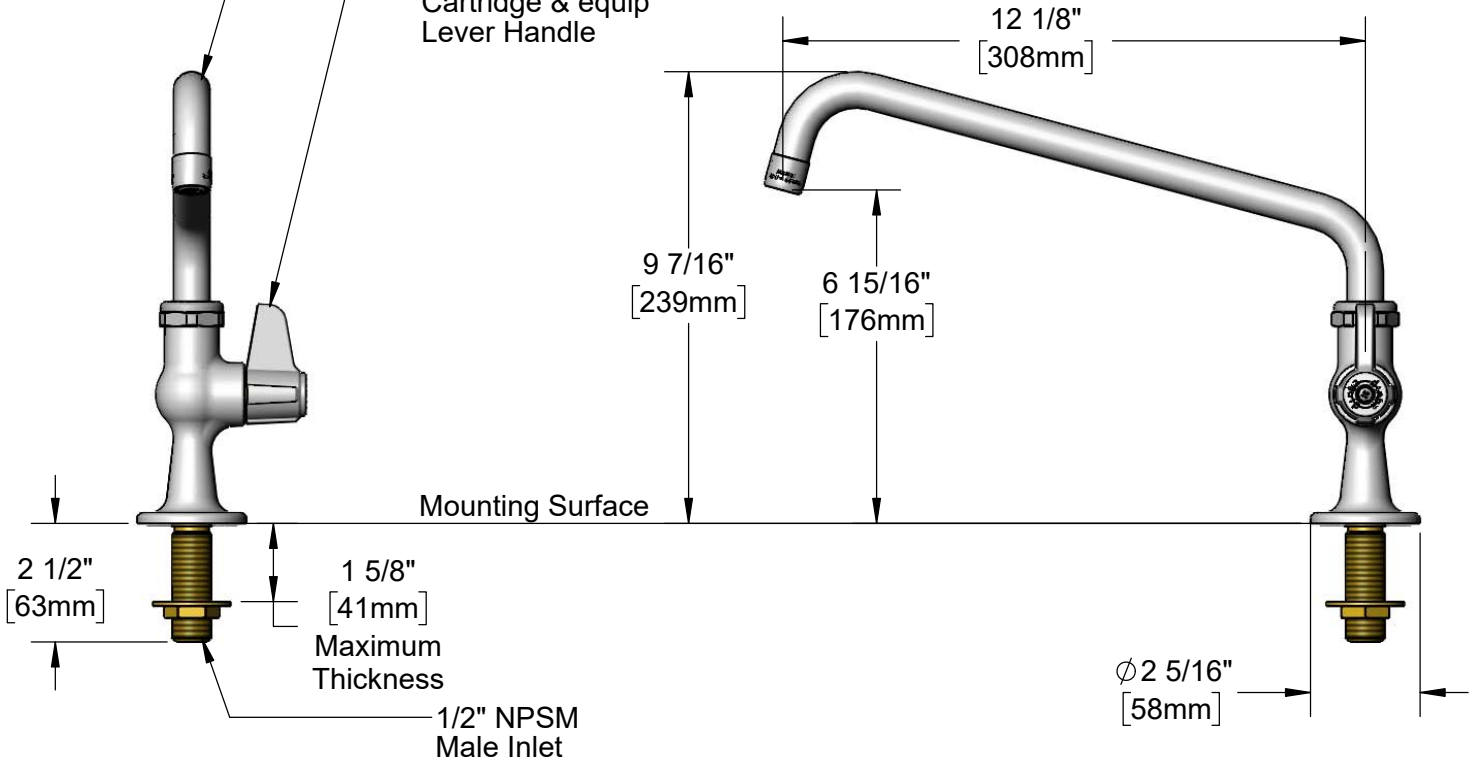
Contractor _____

Architect/Engineer _____

5SP-12A
 12" equip Swing Nozzle
 w/ 2.2 GPM Aerator.
 Rigid Conversion Requires
014200-45 Lock Washer
 (Sold Separately)



Quarter-Turn Ceramic
 Cartridge & equip
 Lever Handle



Rough-In Requirement:
 Ø 1" [25mm] Mounting Hole

Model Number
5F-1SLX12A

Product Specifications:
 Single Supply Deck Mount Faucet, Quarter-Turn Ceramic Cartridge, equip Lever Handle, 12" equip Swing Nozzle, 2.2 GPM Aerator & 1/2" NPSM Male Inlet

Product Compliance:
 ASME A112.18.1 / CSA B125.1
 NSF 61 - Section 9
 NSF 372 (Low Lead Content)
 ANSI A117.1 (ADA)

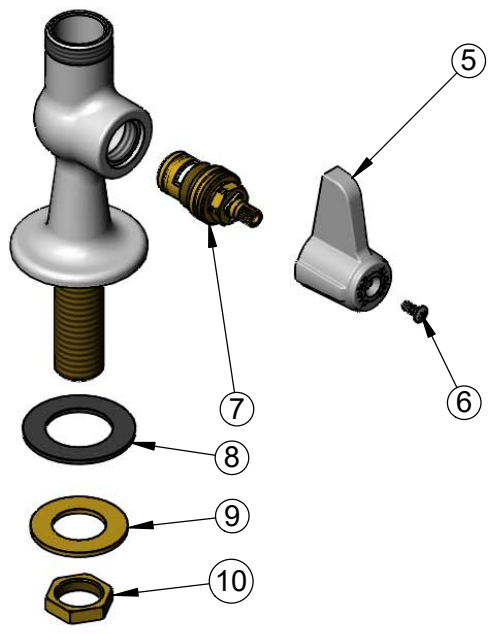
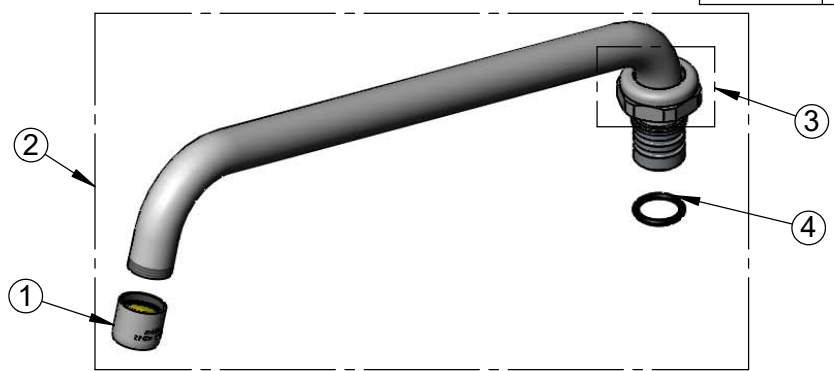
equip Foodservice Accessories



by 

2 Saddleback Cove, P.O. Box 1088
 Travelers Rest, South Carolina 29690
 Phone: 800.891.4808 Fax: 800.868.0084
 equip.tsbrass.com

ITEM NO.	SALES NO.	DESCRIPTION
1	013838-45	2.2 GPM Aerator, 3/4-27-UN Female
2	5SP-12A	12" equip Swing Nozzle
3	013839-25	equip Swivel Nut
4	013848-45	equip Swivel Piece O-Ring
5	5-HDL-L	equip Lever Handle w/ Color Coded Screws
6	013849-45	Handle Screw (10)
7	013787-45	equip Quarter-Turn Ceramic Cartridge, RTC
8	014612-45	Deck Seal
9	000999-45	Brass Lock Washer
10	002954-45	Shank Lock Nut



Model Number
5F-1SLX12A

Product Specifications:
Single Supply Deck Mount Faucet, Quarter-Turn Ceramic Cartridge, equip Lever Handle, 12" equip Swing Nozzle, 2.2 GPM Aerator & 1/2" NPSM Male Inlet

Product Compliance:
ASME A112.18.1 / CSA B125.1
NSF 61 - Section 9
NSF 372 (Low Lead Content)
ANSI A117.1 (ADA)

equip Foodservice Accessories

2 Saddleback Cove, P.O. Box 1088
Travelers Rest, South Carolina 29690
Phone: 800.891.4808 Fax: 800.868.0084
equip.tsbrass.com