



ADA Compliant

This Space for Architect/Engineer Approval

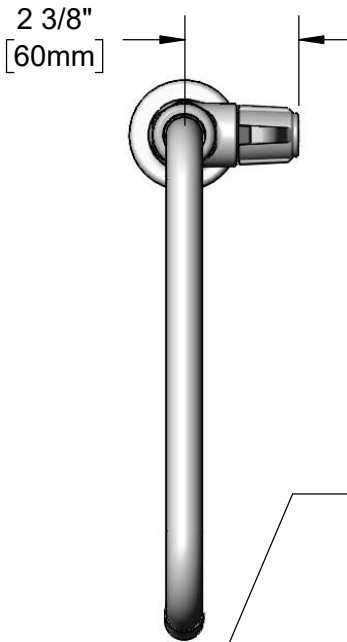
Job Name _____ Date _____

Model Specified _____ Quantity _____

Customer/Wholesaler _____

Contractor _____

Architect/Engineer _____



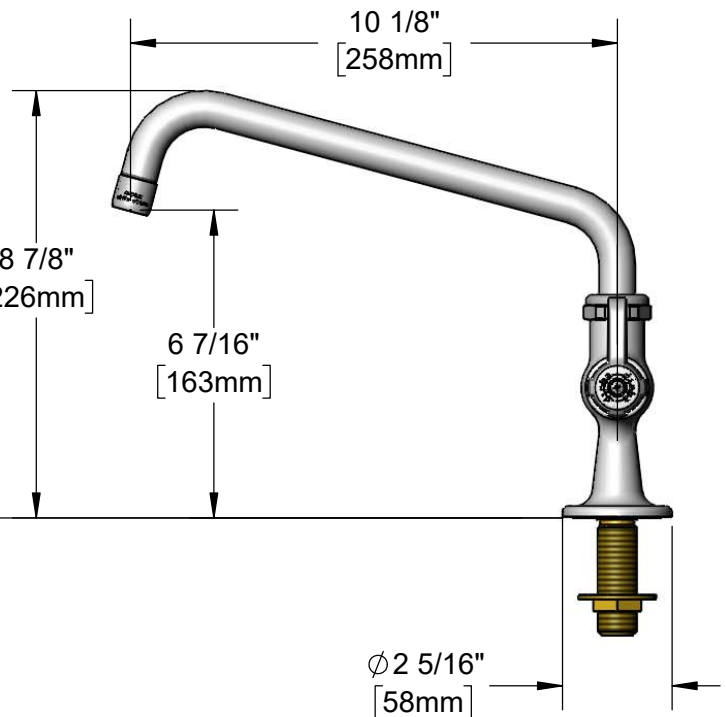
5SP-10A
10" equip Swing Nozzle
w/ 2.2 GPM Aerator.
Rigid Conversion Requires
014200-45 Lock Washer
(Sold Separately)



Quarter-Turn Ceramic
Cartridge & equip
Lever Handle

1 5/8"
[41mm]
Maximum
Thickness

Mounting Surface



2 7/16"
[62mm]

1/2" NPSM
Male Inlet

Ø 2 5/16"
[58mm]

Rough-In Requirement:
Ø 1" [25mm] Mounting Hole

Model Number

5F-1SLX10A

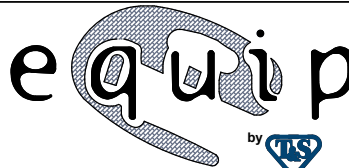
Product Specifications:

Single Supply Deck Mount Faucet, Quarter-Turn Ceramic Cartridge, equip Lever Handle, 10 " equip Swing Nozzle, 2.2 GPM Aerator & 1/2" NPSM Male Inlet

Product Compliance:

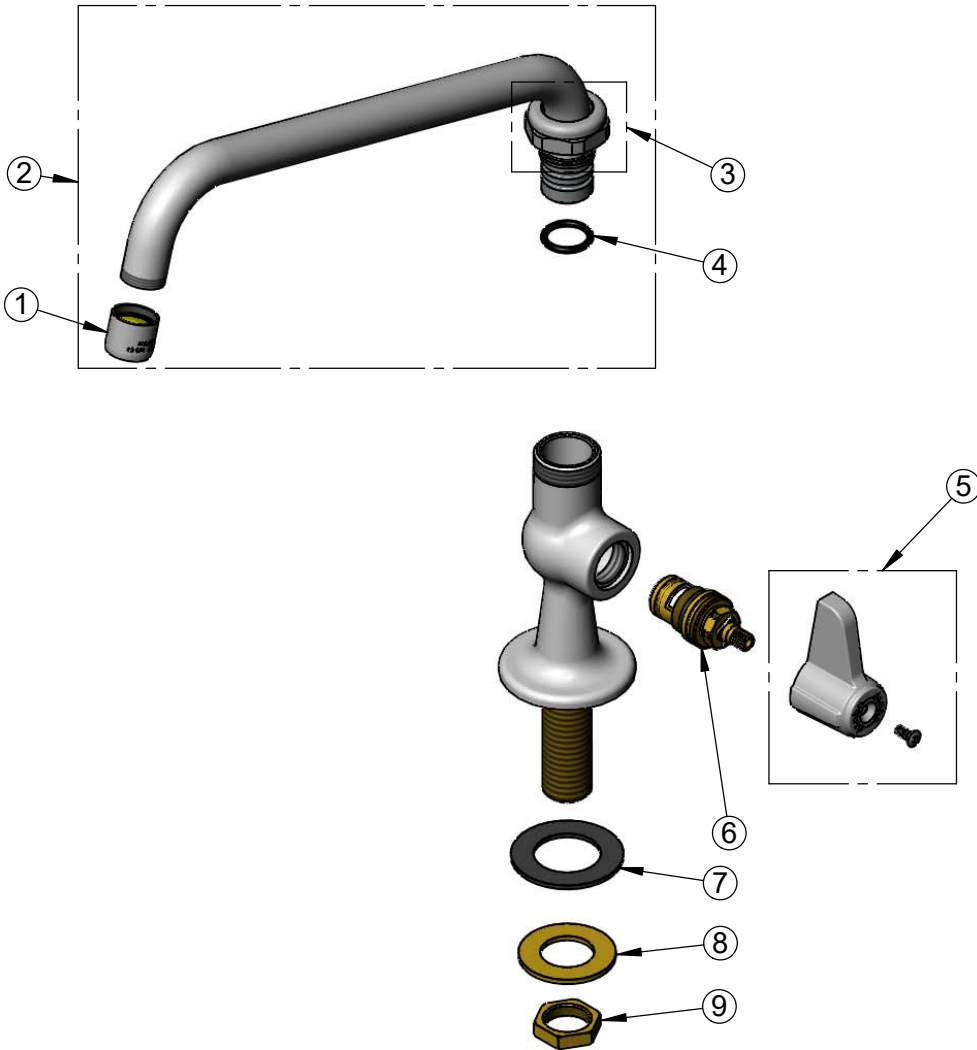
ASME A112.18.1 / CSA B125.1
NSF 61 - Section 9
NSF 372 (Low Lead Content)
ANSI A117.1 (ADA)

equip
Foodservice
Accessories



2 Saddleback Cove, P.O. Box 1088
Travelers Rest, South Carolina 29690
Phone: 800.891.4808 Fax: 800.868.0084
equip.tsbrass.com

ITEM NO.	SALES NO.	DESCRIPTION
1	013838-45	2.2 GPM Aerator, 3/4-27 UN Female
2	5SP-10A	10" equip Swing Nozzle
3	013839-25	equip Swivel Nut
4	013848-45	equip Swivel Piece O-Ring
5	5-HDL-L	equip Lever Handle w/ Color Coded Screws
6	013787-45	equip Quarter-Turn Ceramic Cartridge, RTC
7	014612-45	Deck Seal
8	000999-45	Brass Lock Washer
9	002954-45	Shank Lock Nut



Model Number

5F-1SLX10A

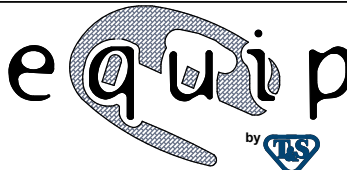
Product Specifications:

Single Supply Deck Mount Faucet, Quarter-Turn Ceramic Cartridge, equip Lever Handle, 10 " equip Swing Nozzle, 2.2 GPM Aerator & 1/2" NPSM Male Inlet

Product Compliance:

ASME A112.18.1 / CSA B125.1
NSF 61 - Section 9
NSF 372 (Low Lead Content)
ANSI A117.1 (ADA)

equip
Foodservice
Accessories



2 Saddleback Cove, P.O. Box 1088
Travelers Rest, South Carolina 29690
Phone: 800.891.4808 Fax: 800.868.0084
equip.tsbrass.com