

ADA Compliant

This Space for Architect/Engineer Approval

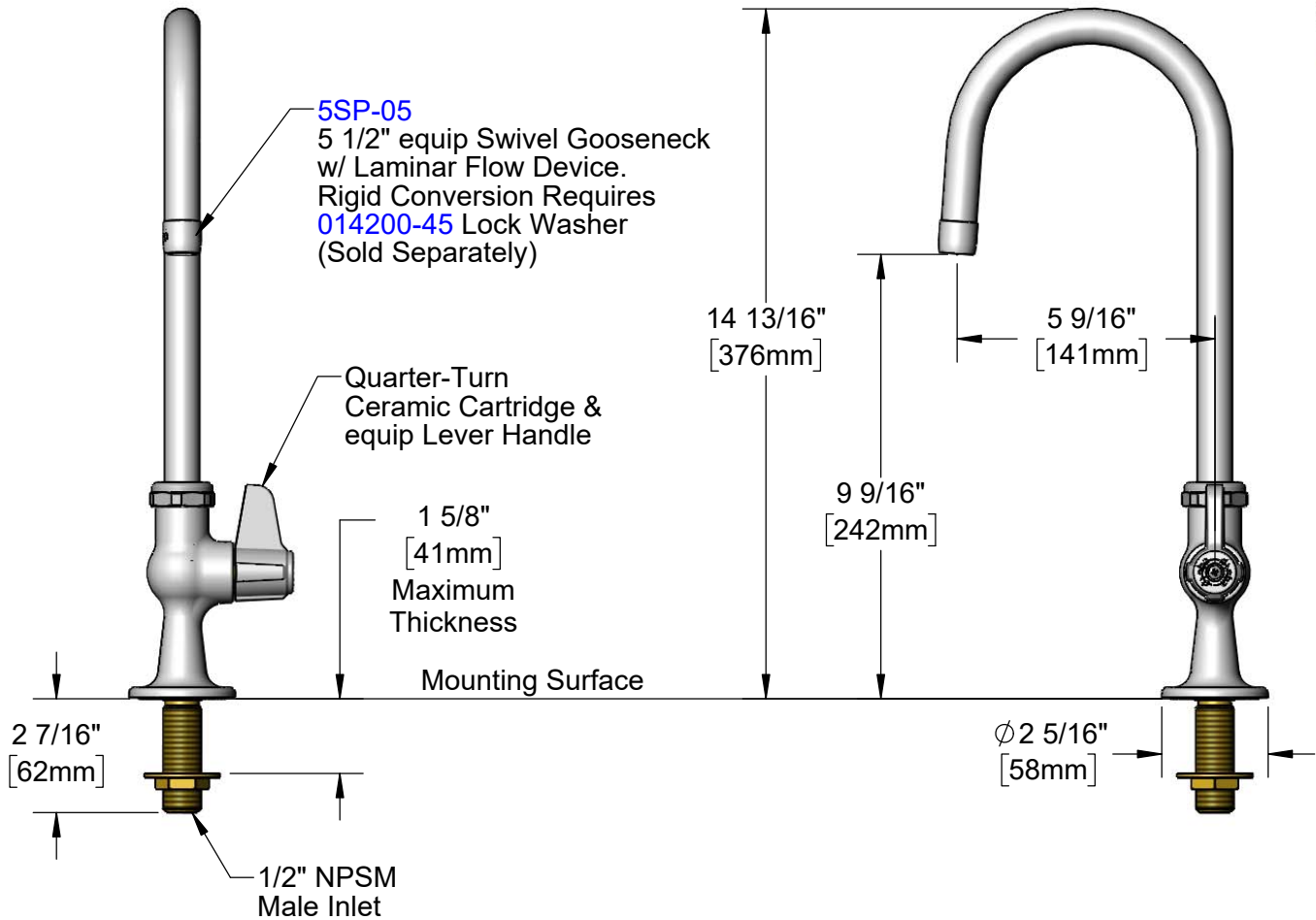
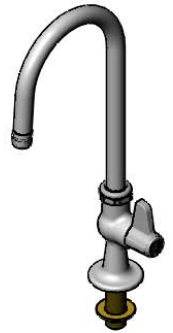
Job Name _____ Date _____

Model Specified _____ Quantity _____

Customer/Wholesaler _____

Contractor _____

Architect/Engineer _____



Rough-In Requirement:
 \varnothing 1" [25mm] Mounting Hole

Model Number
5F-1SLX05

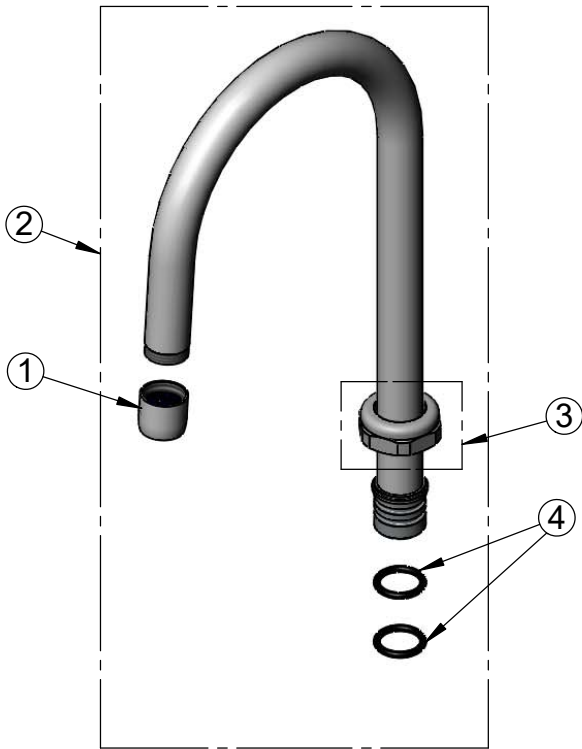
Product Specifications:
 Single Supply Deck Mount Faucet w/ Ceramic Cartridge,
 equip Lever Handle, 5 1/2" equip Swivel Gooseneck
 & 1/2" NPSM Male Inlet

Product Compliance:
 ASME A112.18.1 / CSA B125.1
 NSF 61 - Section 9
 NSF 372 (Low Lead Content)
 ANSI A117.1 (ADA)

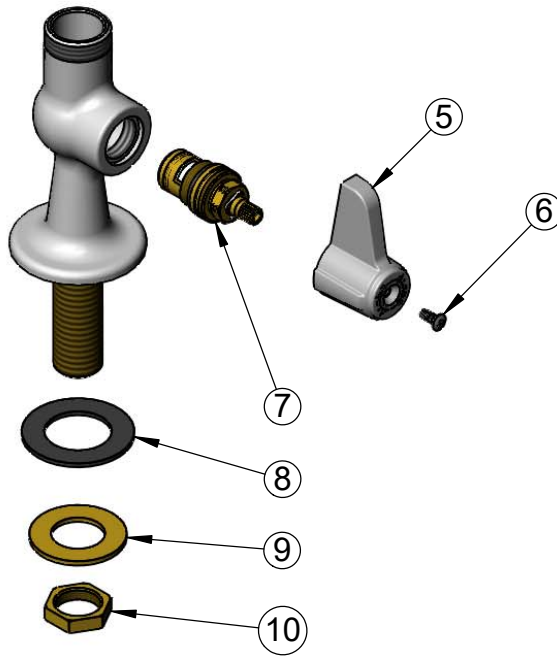
equip
 Foodservice
 Accessories

by

2 Saddleback Cove, P.O. Box 1088
 Travelers Rest, South Carolina 29690
 Phone: 800.891.4808 Fax: 800.868.0084
 equip.tsbrass.com



| ITEM NO. | SALES NO. | DESCRIPTION |
|----------|-----------|---------------------------------|
| 1 | 014250-45 | Laminar Full Flow Outlet Device |
| 2 | 5SP-05 | 5 1/2" equip Swivel Gooseneck |
| 3 | 013839-25 | equip Swivel Nut |
| 4 | 013848-45 | O-Ring |
| 5 | 5-HDL-L | equip Lever Handle |
| 6 | 013849-45 | Plain Handle Screw (10) |
| 7 | 013787-45 | equip Ceramic Cartridge, RTC |
| 8 | 014612-45 | Deck Seal |
| 9 | 000999-45 | Brass Lock Washer |
| 10 | 002954-45 | Shank Lock Nut |



Model Number

5F-1SLX05

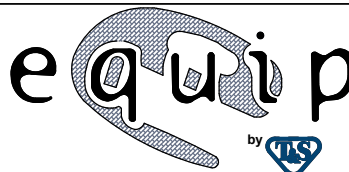
Product Specifications:

Single Supply Deck Mount Faucet w/ Ceramic Cartridge,
equip Lever Handle, 5 1/2" equip Swivel Gooseneck
& 1/2" NPSM Male Inlet

Product Compliance:

ASME A112.18.1 / CSA B125.1
NSF 61 - Section 9
NSF 372 (Low Lead Content)
ANSI A117.1 (ADA)

equip
Foodservice
Accessories



2 Saddleback Cove, P.O. Box 1088
Travelers Rest, South Carolina 29690
Phone: 800.891.4808 Fax: 800.868.0084
equip.tsbrass.com