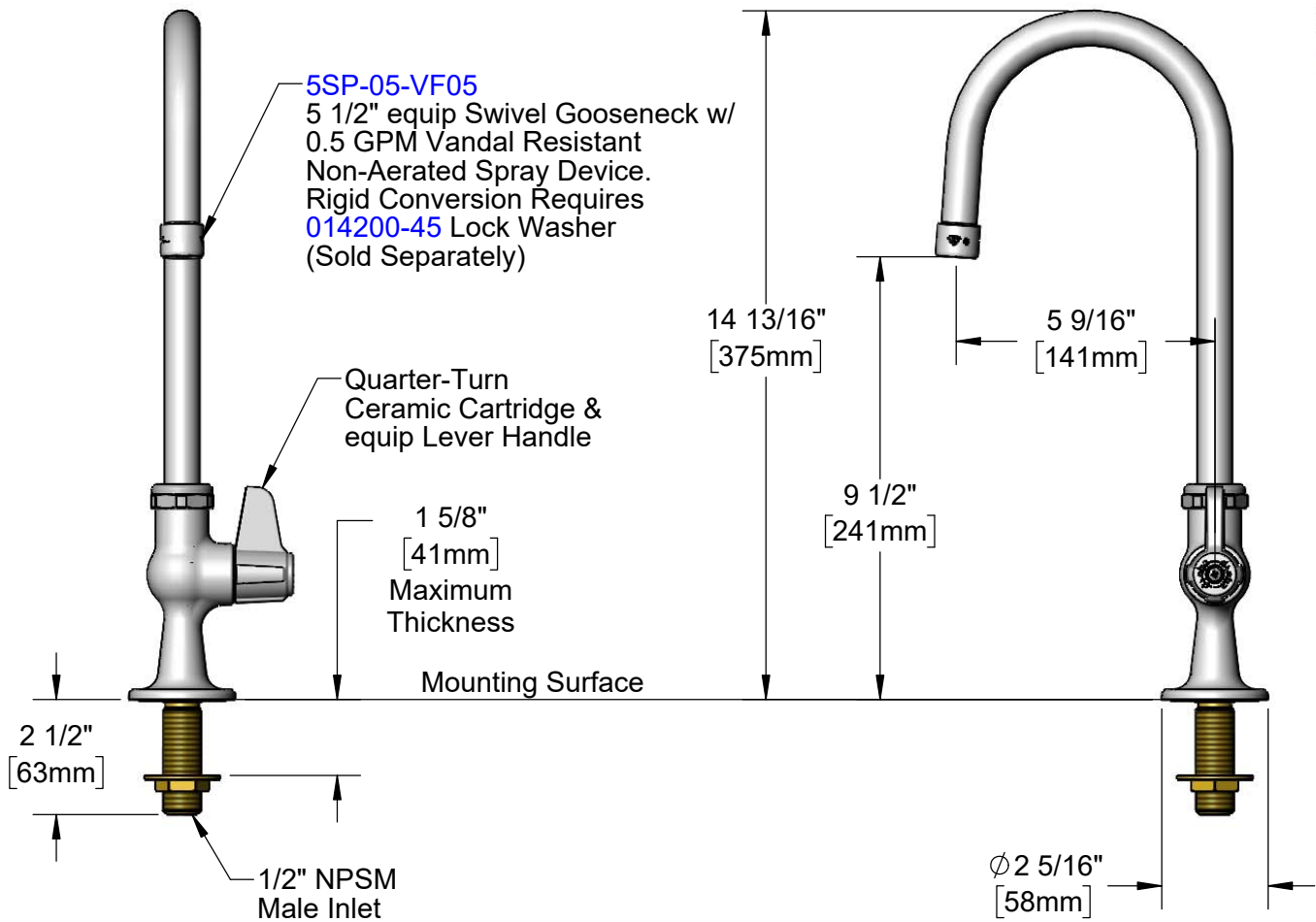
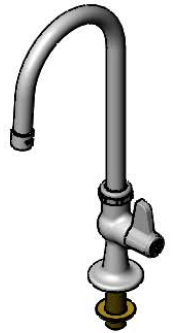


**ADA Compliant**

*This Space for Architect/Engineer Approval*

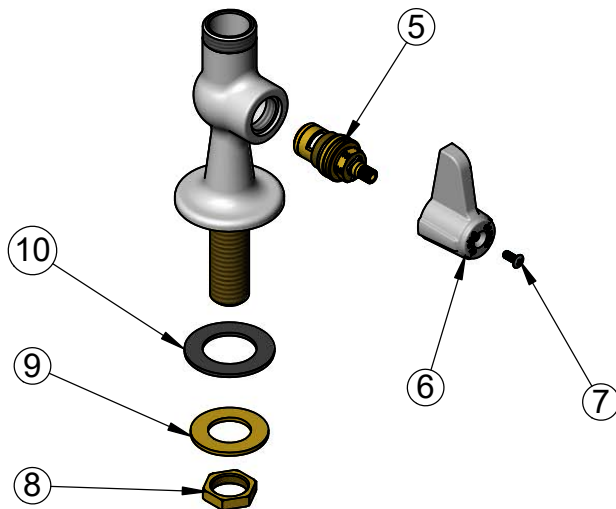
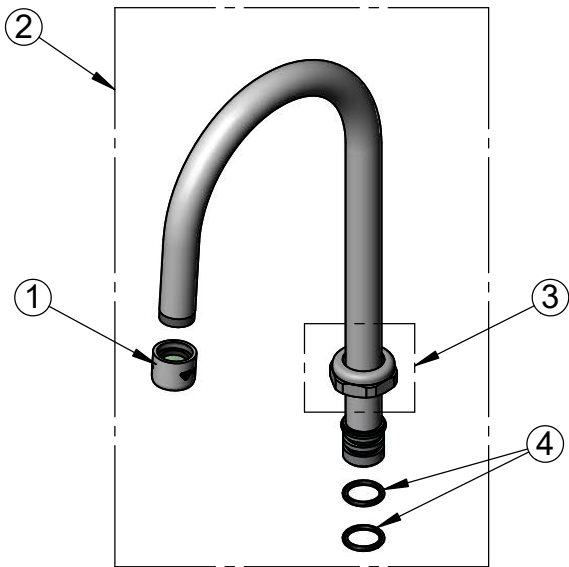
Job Name \_\_\_\_\_ Date \_\_\_\_\_  
 Model Specified \_\_\_\_\_ Quantity \_\_\_\_\_  
 Customer/Wholesaler \_\_\_\_\_  
 Contractor \_\_\_\_\_  
 Architect/Engineer \_\_\_\_\_



Rough-In Requirement:  
 Ø 1" [25mm] Mounting Hole

Model Number <b>5F-1SLX05-VF05</b>	Product Specifications: Single Supply Deck Mount Faucet w/ Quarter-Turn Ceramic Cartridge, equip Lever Handle, 5 1/2" equip Swivel Gooseneck w/ 0.5 GPM Vandal Resistant Non-Aerated Spray Device & 1/2" NPSM Male Inlet
Product Compliance: ASME A112.18.1 / CSA B125.1 NSF 61 - Section 9 NSF 372 (Low Lead Content) ANSI A117.1 (ADA)	<div style="display: flex; justify-content: space-between; align-items: center;"> <div data-bbox="600 1906 738 1980"> <p>equip            Foodservice            Accessories</p> </div> <div data-bbox="743 1858 1096 2026"> </div> <div data-bbox="1101 1894 1550 1995"> <p>2 Saddleback Cove, P.O. Box 1088            Travelers Rest, South Carolina 29690            Phone: 800.891.4808 Fax: 800.868.0084            equip.tsbrass.com</p> </div> </div>

ITEM NO.	SALES NO.	DESCRIPTION
1	5F-VF05	0.5 GPM Non-Aerated VR Outlet Device, 3/4-27 Female
2	5SP-05-VF05	5 1/2" equip Swivel Gooseneck w/ 0.5 GPM VR Non-Aerated Spray Device
3	013839-25	equip Swivel Nut
4	013848-45	O-Ring
5	013787-45	equip, Quarter-Turn Ceramic Cartridge, RTC
6	5-HDL-L	equip Lever Handle w/ Color Coded Screws
7	013849-45	Screw, 4mm Metric (10)
8	002954-45	Shank Lock Nut
9	000999-45	Brass Lock Washer /
10	014612-45	Deck Seal



Model Number

**5F-1SLX05-VF05**

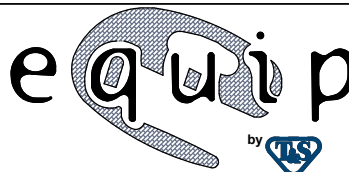
Product Specifications:

Single Supply Deck Mount Faucet w/ Quarter-Turn Ceramic Cartridge, equip Lever Handle, 5 1/2" equip Swivel Gooseneck w/ 0.5 GPM Vandal Resistant Non-Aerated Spray Device & 1/2" NPSM Male Inlet

Product Compliance:

ASME A112.18.1 / CSA B125.1  
NSF 61 - Section 9  
NSF 372 (Low Lead Content)  
ANSI A117.1 (ADA)

equip  
Foodservice  
Accessories



2 Saddleback Cove, P.O. Box 1088  
Travelers Rest, South Carolina 29690  
Phone: 800.891.4808 Fax: 800.868.0084  
equip.tsbrass.com