

This Space for Architect/Engineer Approval

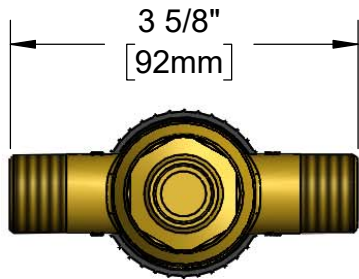
Job Name _____ Date _____

Model Specified _____ Quantity _____

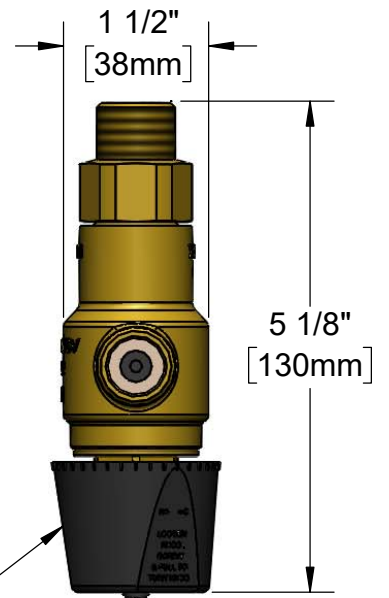
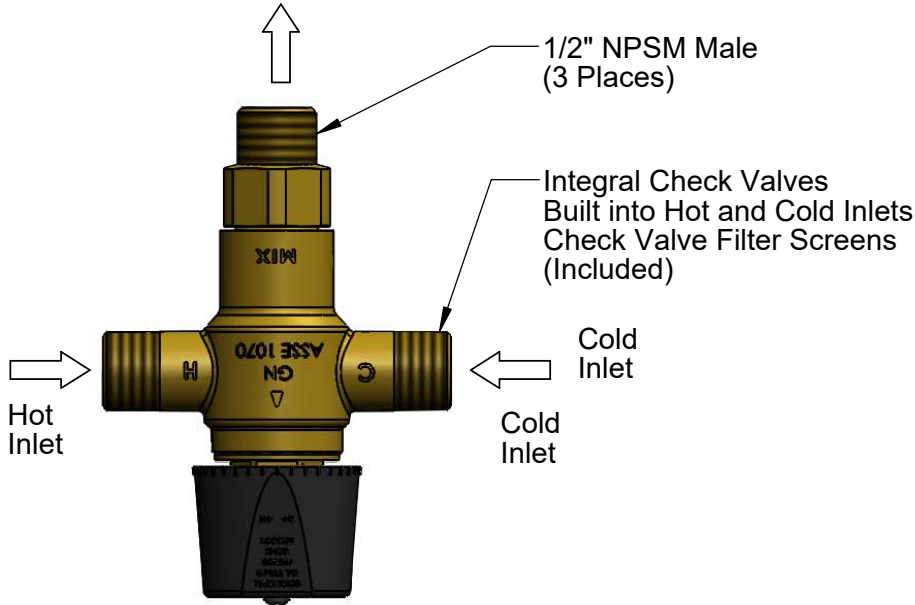
Customer/Wholesaler _____

Contractor _____

Architect/Engineer _____



Mixed Water
to Fixture



Locking Adjustment Knob Prevents Water from Exceeding Customer's Maximum Temperature Set Point. Valve is Factory Pre-set to Deliver Mixed Water Temperature of Approximately 100°F (38°C) Max.

Performance Rating:

- Minimum Flow Rate: 0.35 GPM
- Pressure Drop at Minimum Flow Rate: 0.5 psi
- Maximum Pressure: 125 psi
- Hot Water Inlet Temperature Range: 120~180°F (49~82°C)
- Outlet Temperature Range: 80~120°F (27~49°C)
- Outlet Temperature Factory Setting: Approx. 100°F (38°C)

| | |
|---------------------|---|
| Model Number | 5EF-TMV |
| Product Compliance: | NSF 61 - Section 9 NSF 372 (Low Lead Content) ASSE 1070 |

Product Specifications:

Thermostatic Mixing Valve with 1/2" NPSM Male Fittings

equip
Foodservice
Accessories

2 Saddleback Cove, P.O. Box 1088
Travelers Rest, South Carolina 29690
Phone: 800.891.4808 Fax: 800.868.0084
equip.tsbrass.com