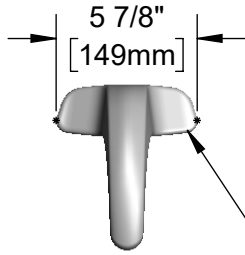
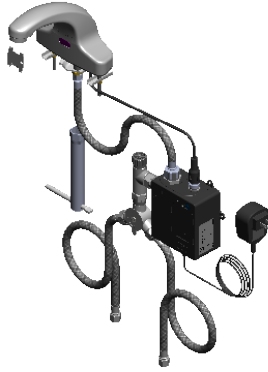




ADA Compliant



Polish Chrome Plated Cast Spout w/ 2.2 GPM Vandal Resistant Aerator & Key

*This Space for Architect/Engineer Approval*

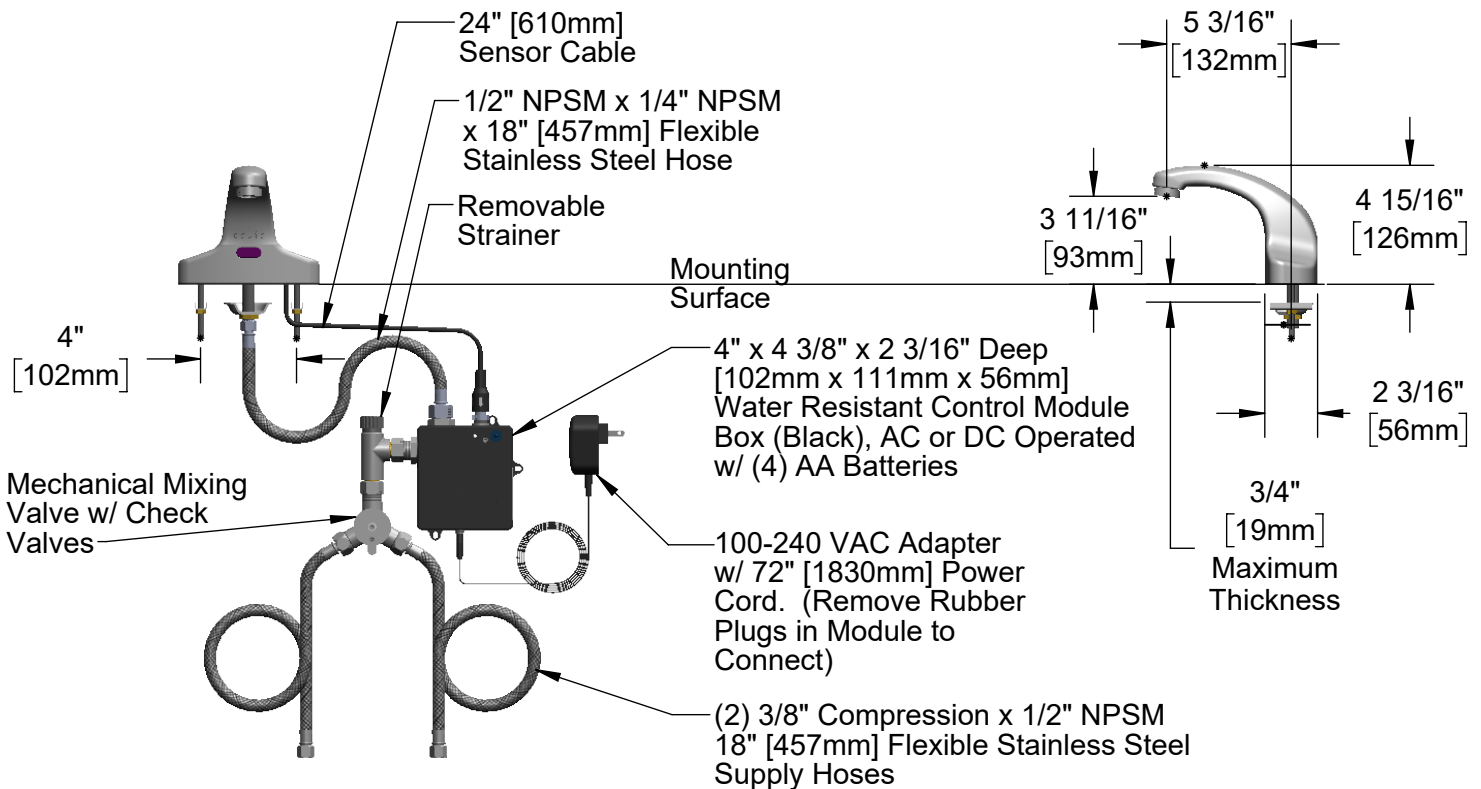
Job Name \_\_\_\_\_ Date \_\_\_\_\_

Model Specified \_\_\_\_\_ Quantity \_\_\_\_\_

Customer/Wholesaler \_\_\_\_\_

Contractor \_\_\_\_\_

Architect/Engineer \_\_\_\_\_



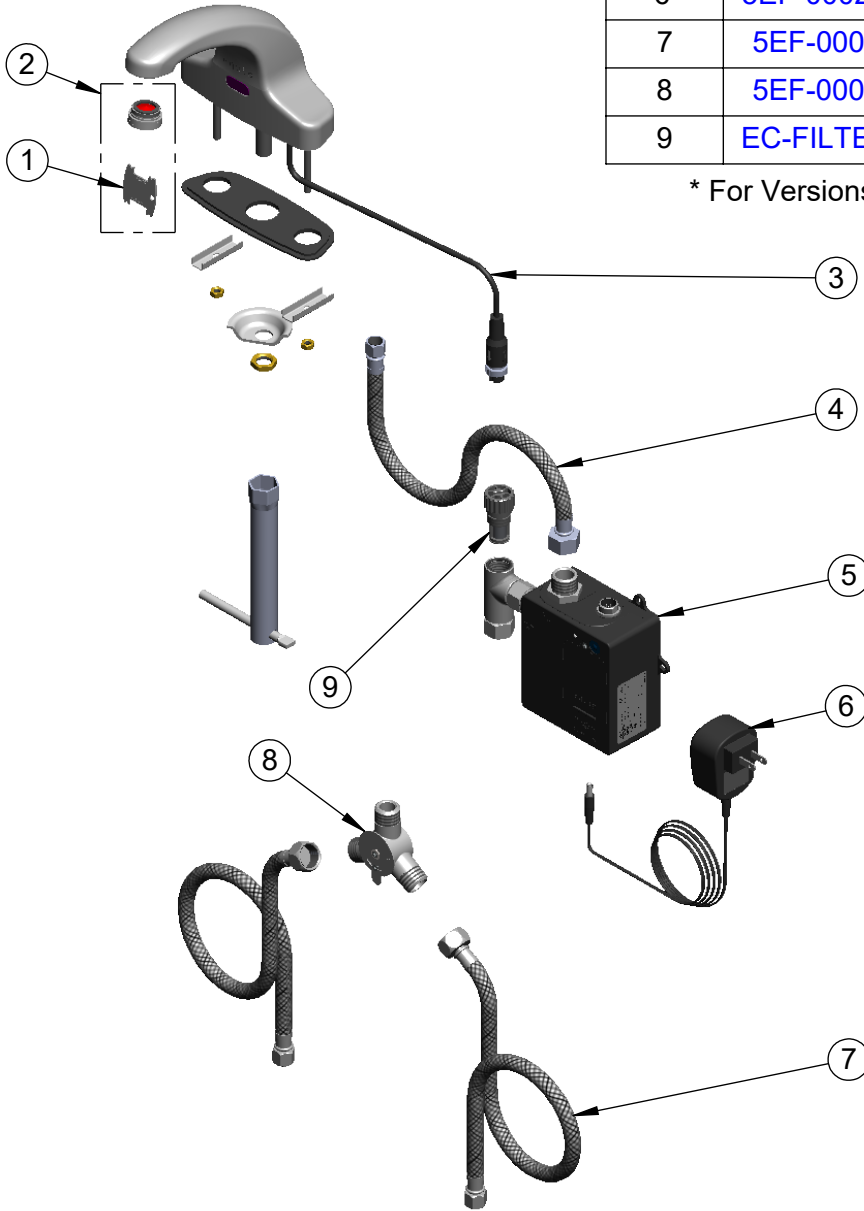
**Rough-In Requirement:**

- (1)  $\varnothing$  1" [25mm] Center Shank Mounting Hole
- (2)  $\varnothing$  1/2" [13mm] Mounting Stud Holes on 4" [102mm] Centers

<p>Model Number</p> <p style="text-align: center;"><b>5EF-2D-DS</b></p>	<p>Product Specifications:</p> <p style="text-align: center;"><b>Electronic Faucet: 4" Deck Mount Cast Spout Faucet, AC-DC Control Module, Temperature Control Mixing Valve, Check Valves &amp; (2) 18" Flexible Supply Hoses</b></p>
<p>Product Compliance:</p> <p>ASME A112.18.1 / CSA B125.1          NSF 61 - Section 9          NSF 372 (Low Lead Content)          ANSI A117.1 (ADA)          UL 1951</p>	<div style="display: flex; justify-content: space-between; align-items: center;"> <div data-bbox="600 1906 738 1980"> <p>equip Foodservice Accessories</p> </div> <div data-bbox="743 1858 1096 2026"> </div> <div data-bbox="1101 1894 1567 1995"> <p>2 Saddleback Cove, P.O. Box 1088              Travelers Rest, South Carolina 29690              Phone: 800.891.4808 Fax: 800.868.0084              equip.tsbrass.com</p> </div> </div>

ITEM NO.	SALES NO.	DESCRIPTION
1	015425-45	Vandal Resistant Key
2	B-0199-09	VR 2.2 GPM Aerator, 15/16-27 Male w/ Key
* 3	5EF-0003C	Sensor Cable w/ Flat Lens
4	016297-45	Inlet Hose, Faucet, 1/2" NPSM-F x 1/4" NPSM-F
* 5	5EF-0001C	equip Control Module Box (Black)
* 6	5EF-0002C	AC Adapter - US Plug
7	5EF-0005	Supply Hose, 9/16-24 Female x 1/2" NPSM
8	5EF-0006	Temperature Mixing Valve
9	EC-FILTER	Replacement Filter

\* For Versions Prior to 2024, Consult with Customer Service



Model Number

**5EF-2D-DS**

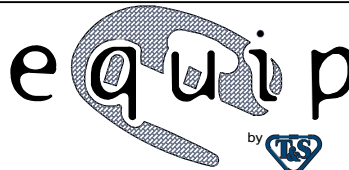
Product Specifications:

Electronic Faucet: 4" Deck Mount Cast Spout Faucet,  
AC-DC Control Module, Temperature Control Mixing Valve,  
Check Valves & (2) 18" Flexible Supply Hoses

Product Compliance:

ASME A112.18.1 / CSA B125.1  
NSF 61 - Section 9  
NSF 372 (Low Lead Content)  
ANSI A117.1 (ADA)  
UL 1951

equip  
Foodservice  
Accessories



2 Saddleback Cove, P.O. Box 1088  
Travelers Rest, South Carolina 29690  
Phone: 800.891.4808 Fax: 800.868.0084  
equip.tsbrass.com