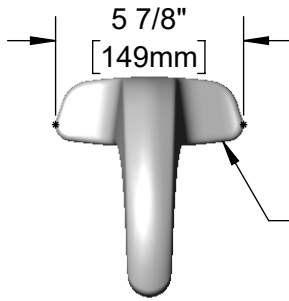




ADA Compliant



Polished Chrome Plated Cast Spout w/ B-0199-09-N05 VR 0.5 GPM [1.9LPM] Non-Aerated Spray Device w/ Key



This Space for Architect/Engineer Approval

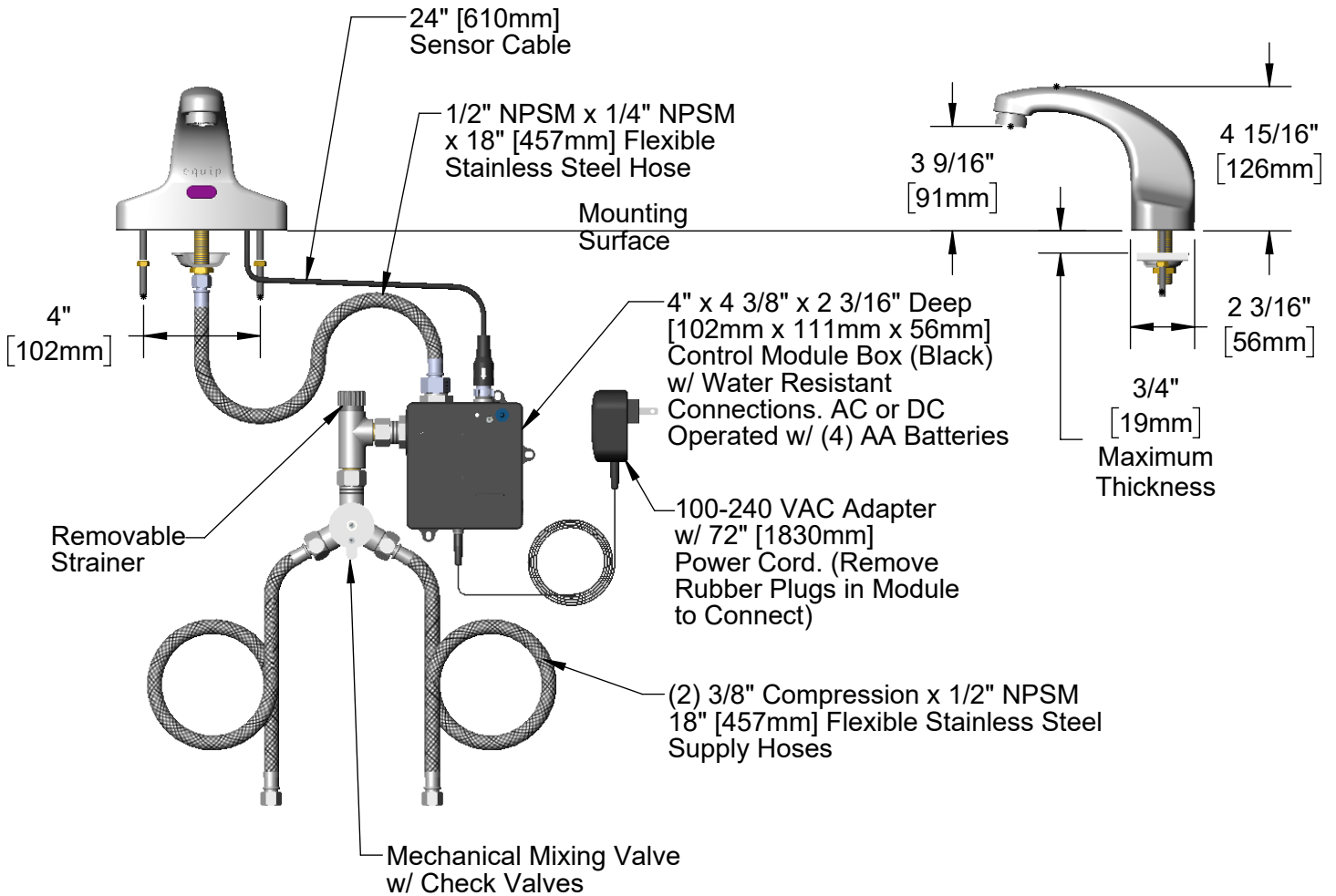
Job Name _____ Date _____

Model Specified _____ Quantity _____

Customer/Wholesaler _____

Contractor _____

Architect/Engineer _____



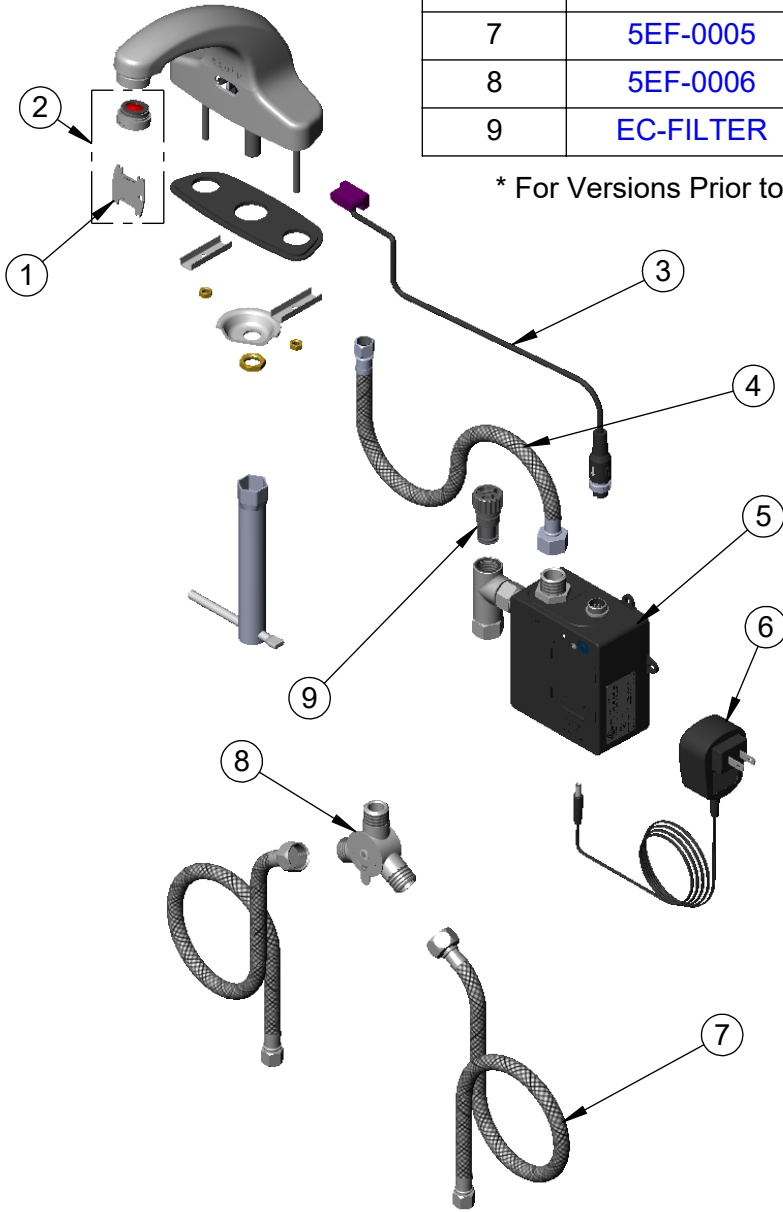
Rough-In Requirement:

- (1) ϕ 1" [25mm] Center Shank Mounting Hole
- (2) ϕ 1/2" [13mm] Mounting Stud Holes on 4" [102mm] Centers

<p>Model Number</p> <p>5EF-2D-DS-VF05</p>	<p>Product Specifications:</p> <p>Electronic Faucet: Cast Brass Centerset Faucet w/ 4" Mounting Studs, VR 0.5 GPM Non-Aerated Spray Device, Temperature Control Mixing Valve w/ Check Valves, (2) 18" Flexible Supply Hoses & AC-DC Control Module</p>
<p>Product Compliance:</p> <p>ASME A112.18.1 / CSA B125.1 NSF 61 - Section 9 NSF 372 (Low Lead Content) ANSI A117.1 (ADA) UL 1951</p>	<div style="display: flex; justify-content: space-between; align-items: center;"> <div data-bbox="609 1906 738 1984"> <p>equip Foodservice Accessories</p> </div> <div data-bbox="747 1858 1096 2026"> </div> <div data-bbox="1104 1890 1550 1995"> <p>2 Saddleback Cove, P.O. Box 1088 Travelers Rest, South Carolina 29690 Phone: 800.891.4808 Fax: 800.868.0084 equip.tsbrass.com</p> </div> </div>

ITEM NO.	SALES NO.	DESCRIPTION
1	015425-45	Vandal Resistant Key
2	B-0199-09-N05	VR 0.5 GPM Non-Aerated Spray Device, 15/16-27 UN Male w/ Key
* 3	5EF-0003C	Sensor Cable w/ Flat Lens
4	016297-45	Inlet Hose, Faucet, 1/2" NPSM-F x 1/4" NPSM-F
* 5	5EF-0001C	equip Control Module Box (Black)
* 6	5EF-0002C	AC Adapter - US Plug
7	5EF-0005	Supply Hose, 9/16-24 Female x 1/2" NPSM
8	5EF-0006	Temperature Mixing Valve
9	EC-FILTER	Replacement Filter

* For Versions Prior to 2024, Consult with Customer Service



Model Number

5EF-2D-DS-VF05

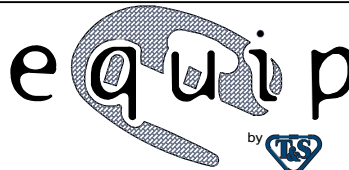
Product Specifications:

Electronic Faucet: Cast Brass Centerset Faucet w/ 4" Mounting Studs, VR 0.5 GPM Non-Aerated Spray Device, Temperature Control Mixing Valve w/ Check Valves, (2) 18" Flexible Supply Hoses & AC-DC Control Module

Product Compliance:

ASME A112.18.1 / CSA B125.1
NSF 61 - Section 9
NSF 372 (Low Lead Content)
ANSI A117.1 (ADA)
UL 1951

equip
Foodservice
Accessories



2 Saddleback Cove, P.O. Box 1088
Travelers Rest, South Carolina 29690
Phone: 800.891.4808 Fax: 800.868.0084
equip.tsbrass.com