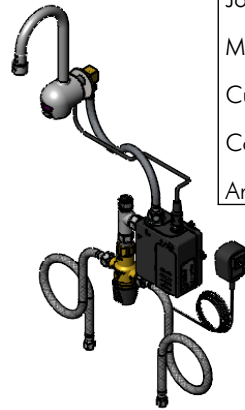
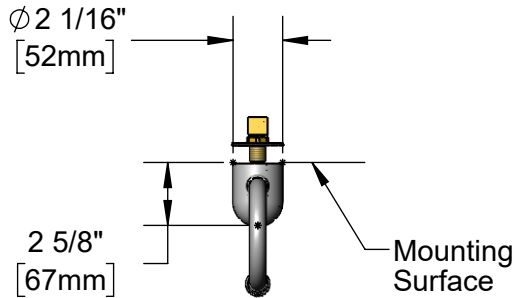


*This Space for Architect/Engineer Approval*

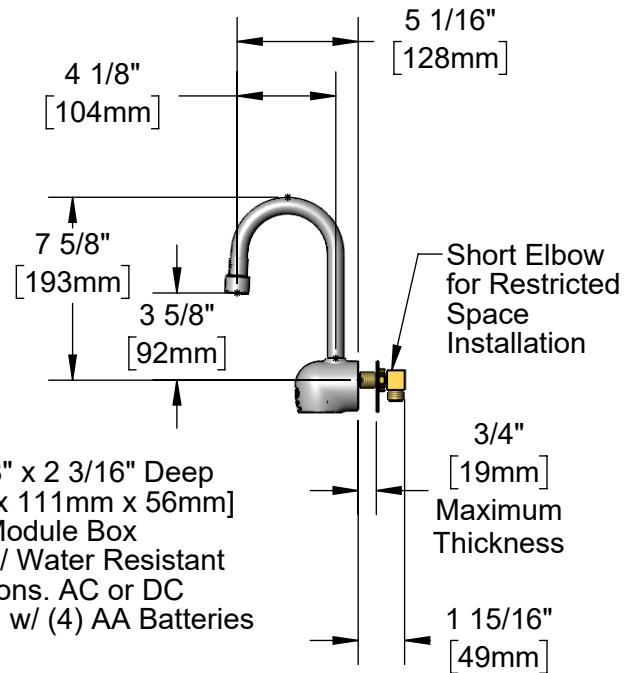
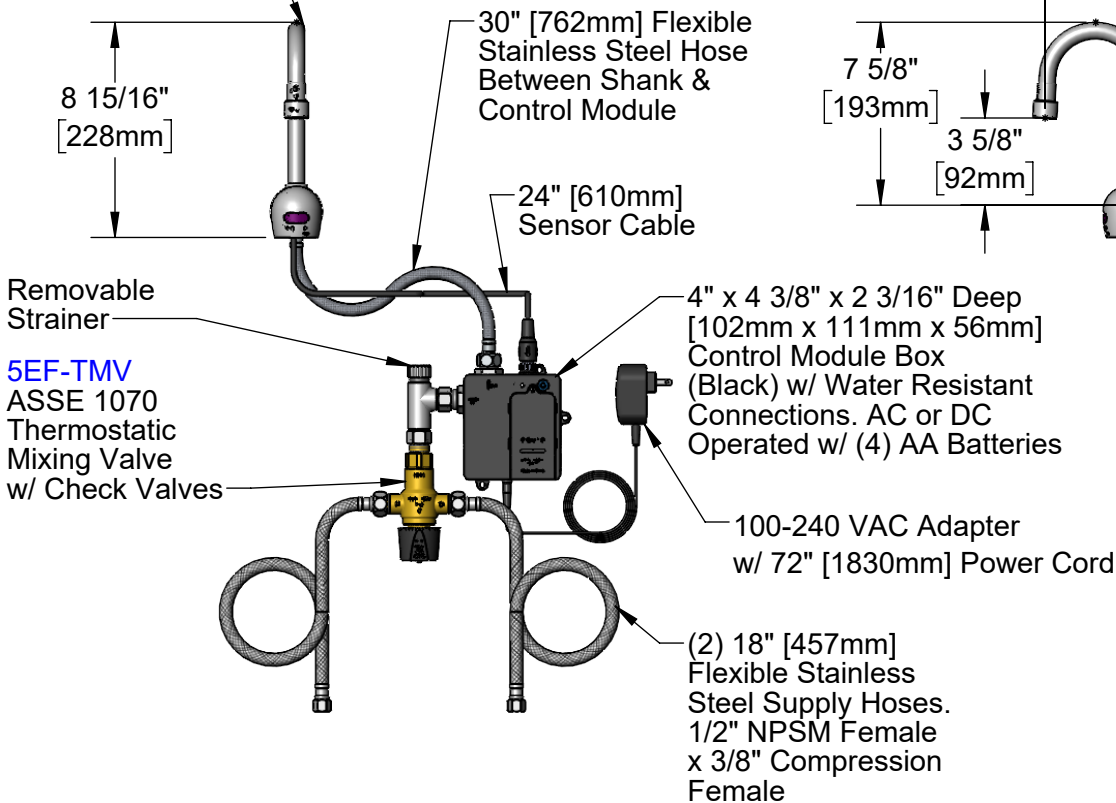
Job Name \_\_\_\_\_ Date \_\_\_\_\_  
 Model Specified \_\_\_\_\_ Quantity \_\_\_\_\_  
 Customer/Wholesaler \_\_\_\_\_  
 Contractor \_\_\_\_\_  
 Architect/Engineer \_\_\_\_\_



**ADA Compliant**



**016739-40**  
 Rigid Gooseneck w/  
 2.2 GPM [8.3 LPM]  
 Vandal Resistant Aerator.  
 Rigid Conversion Requires  
**017421-45** Lock Washer  
 (Included)



Rough-In Requirement:  
 $\varnothing$  1 1/8" [29mm] Mounting Hole

Model Number  
**5EF-1D-WGAT-TMV**

Product Specifications:  
 Electronic Faucet: Wall Mount Rigid Gooseneck, 2.2 GPM VR Aerator, AC-DC Control Module, Thermostatic Mixing Valve w/ Check Valves & (2) 18" Flexible Supply Hoses

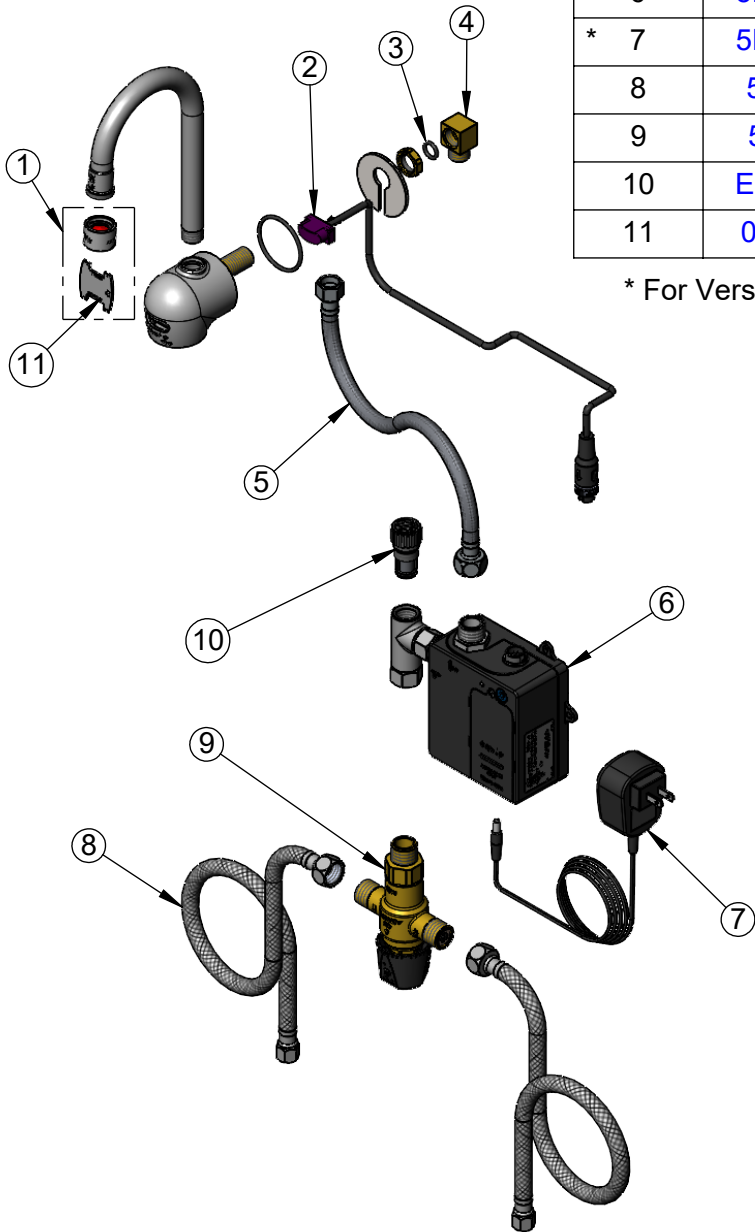
Product Compliance:  
 ASME A112.18.1 / CSA B125.1  
 NSF 61 - Section 9  
 NSF 372 (Low Lead Content)  
 ANSI A117.1 (ADA)  
 UL 1951  
 ASSE 1070 (TMV)

equip  
 Foodservice  
 Accessories

2 Saddleback Cove, P.O. Box 1088  
 Travelers Rest, South Carolina 29690  
 Phone: 800.891.4808 Fax: 800.868.0084  
 equip.tsbrass.com

ITEM NO.	SALES NO.	DESCRIPTION
1	<a href="#">B-0199-06</a>	VR 2.2 GPM Aerator, 55/64-27 Female
* 2	5EF00004C	Sensor Cable w/ Curved Lens
3	<a href="#">001075-45</a>	O-Ring, Size 2-111
4	<a href="#">015345-20</a>	Low Profile Elbow, 3/8 NPSM
5	<a href="#">016325-45</a>	Flex Connector, 3/8 NPSM x 1/2 NPSM
* 6	<a href="#">5EF-0001C</a>	equip Control Module (Black)
* 7	<a href="#">5EF-0002C</a>	AC Adapter - US Plug
8	<a href="#">5EF-0005</a>	Supply Hose, 9/16-24 Female x 1/2" NPSM
9	<a href="#">5EF-TMV</a>	ASSE 1070 Thermostatic Mixing Valve
10	<a href="#">EC-FILTER</a>	Replacement Filter
11	<a href="#">015425-45</a>	Vandal Resistant Key

\* For Versions Prior to 2024, Consult with Customer Service



Model Number

**5EF-1D-WGAT-TMV**

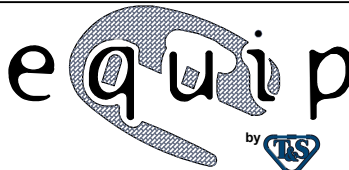
Product Specifications:

Electronic Faucet: Wall Mount Rigid Gooseneck, 2.2 GPM VR Aerator, AC-DC Control Module, Thermostatic Mixing Valve w/ Check Valves & (2) 18" Flexible Supply Hoses

Product Compliance:

ASME A112.18.1 / CSA B125.1  
NSF 61 - Section 9  
NSF 372 (Low Lead Content)  
ANSI A117.1 (ADA)  
UL 1951  
ASSE 1070 (TMV)

equip  
Foodservice  
Accessories



2 Saddleback Cove, P.O. Box 1088  
Travelers Rest, South Carolina 29690  
Phone: 800.891.4808 Fax: 800.868.0084  
equip.tsbrass.com