



ADA Compliant

This Space for Architect/Engineer Approval

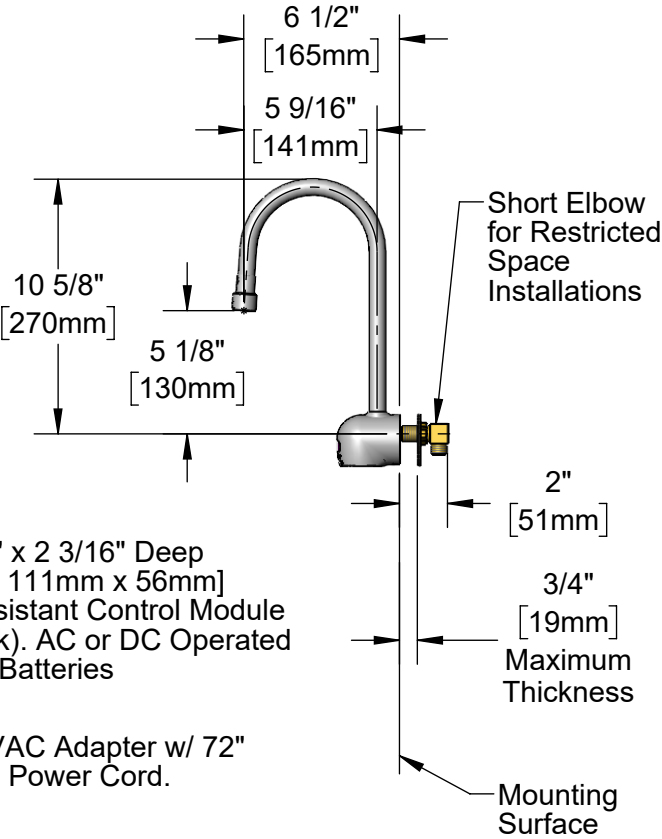
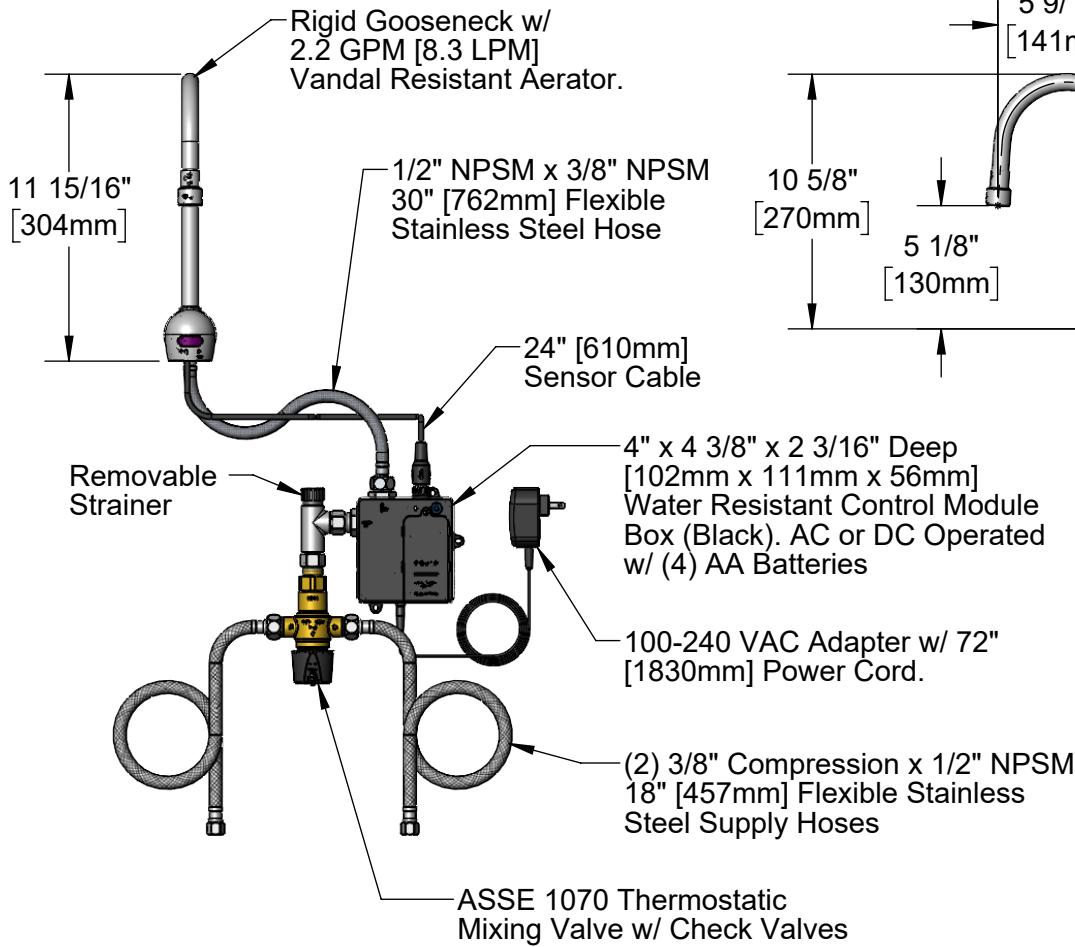
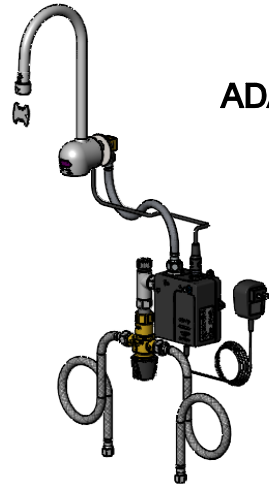
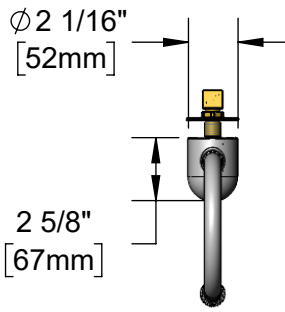
Job Name _____ Date _____

Model Specified _____ Quantity _____

Customer/Wholesaler _____

Contractor _____

Architect/Engineer _____



Rough-In Requirement:
Ø 1 1/8" [29mm] Mounting Hole

Model Number

5EF-1D-WG-TMV

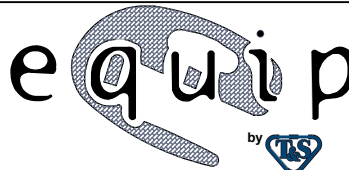
Product Specifications:

Electronic Faucet: Wall Mount Rigid Gooseneck w/ VR Aerator, AC-DC Control Module, Thermostatic Temperature Control Mixing Valve w/ Integral Check Valves & 18" Long Flexible Supply Stop Hoses

Product Compliance:

ASME A112.18.1 / CSA B125.1
NSF 61 - Section 9
NSF 372 (Low Lead Content)
ANSI A117.1 (ADA)
UL 1951
ASSE 1070 (TMV)

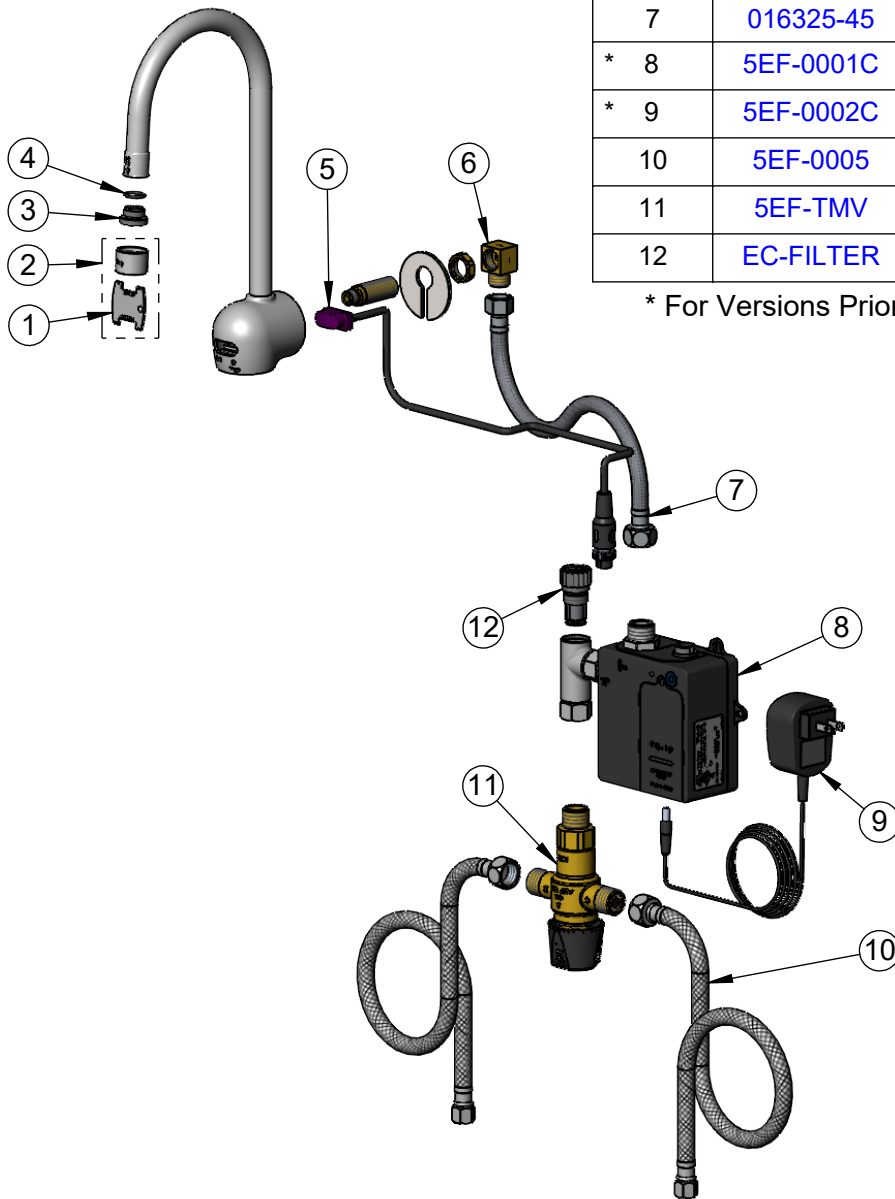
equip
Foodservice
Accessories



2 Saddleback Cove, P.O. Box 1088
Travelers Rest, South Carolina 29690
Phone: 800.891.4808 Fax: 800.868.0084
equip.tsbrass.com

ITEM NO.	SALES NO.	DESCRIPTION
1	015425-45	Vandal Resistant Key
2	B-0199-06	VR 2.2 GPM Aerator, 55/64-27 Female
3	044A	3/8" to Aerator Adapter
4	006575-45	-015 O-Ring
* 5	5EF-0004C	Sensor Cable w/ Curved Lens
6	015345-20	Low Profile Elbow, 3/8 NPSM
7	016325-45	Flex Connector, 3/8 NPSM x 1/2 NPSM
* 8	5EF-0001C	equip Control Module (Black) w/ Filter Tee
* 9	5EF-0002C	AC Adapter - US Plug
10	5EF-0005	Supply Hose, 9/16-24 Female x 1/2" NPSM
11	5EF-TMV	ASSE 1070 Thermostatic Mixing Valve
12	EC-FILTER	Replacement Filter

* For Versions Prior to 2024, Consult with Customer Service



Model Number

5EF-1D-WG-TMV

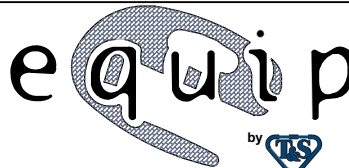
Product Specifications:

Electronic Faucet: Wall Mount Rigid Gooseneck w/ VR Aerator, AC-DC Control Module, Thermostatic Temperature Control Mixing Valve w/ Integral Check Valves & 18" Long Flexible Supply Stop Hoses

Product Compliance:

ASME A112.18.1 / CSA B125.1
NSF 61 - Section 9
NSF 372 (Low Lead Content)
ANSI A117.1 (ADA)
UL 1951
ASSE 1070 (TMV)

equip
Foodservice
Accessories



2 Saddleback Cove, P.O. Box 1088
Travelers Rest, South Carolina 29690
Phone: 800.891.4808 Fax: 800.868.0084
equip.tsbrass.com