

This Space for Architect/Engineer Approval

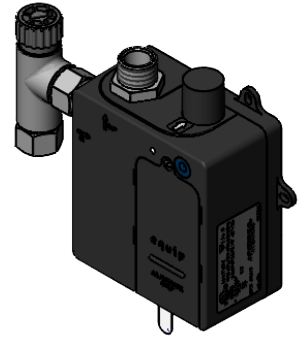
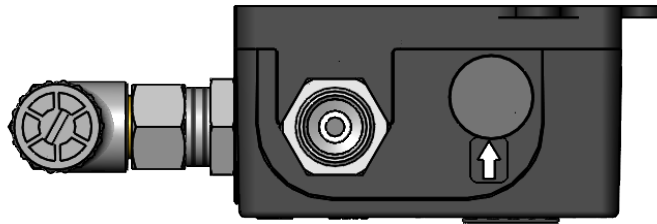
Job Name _____ Date _____

Model Specified _____ Quantity _____

Customer/Wholesaler _____

Contractor _____

Architect/Engineer _____



Water Resistant Faucet Sensor Cable Connection (Remove Protective Cap to Connect Cable)

1/2" NPSM Male Outlet

Removable Strainer

1/2" NPSM Female Swivel Coupling Nut

4" x 4 3/8" x 2 3/16" Deep [102mm x 111mm x 56mm] Water Resistant Control Module Box. AC or DC Operated w/ (4) AA Batteries.

Water Resistant AC Adapter Cable Connection Port (Remove Rubber Plug to Connect Cable)

1 1/8" [28mm]

2 1/16" [52mm]

2 13/16" [72mm]

3 1/2" [88mm]

Battery Cover

Model Number

5EF-0001C

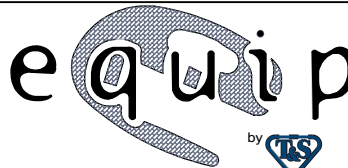
Product Specifications:

equip Sensor Faucet Control Module with Filter Tee (Black Module Housing)

Product Compliance:

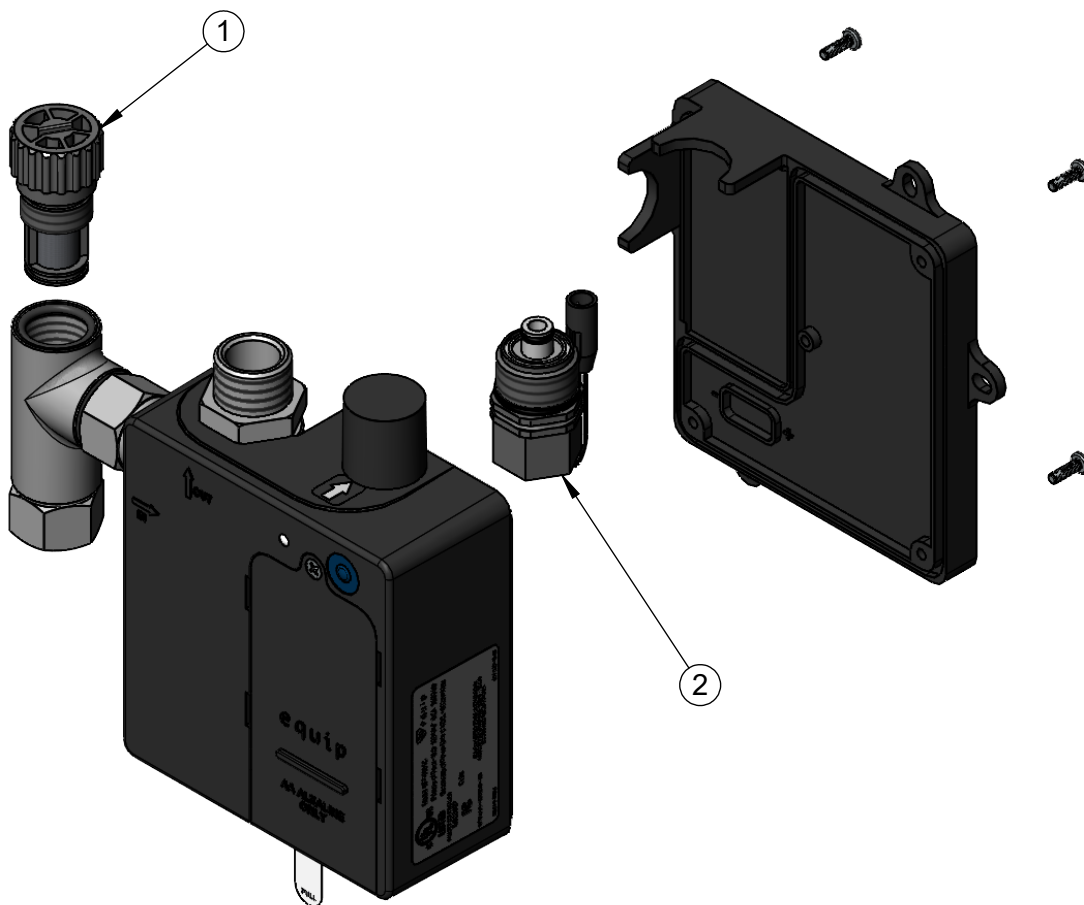
ASME A112.18.1 / CSA B125.1
NSF 61 - Section 9
NSF 372 (Low Lead Content)
UL 1951

equip
Foodservice
Accessories



2 Saddleback Cove, P.O. Box 1088
Travelers Rest, South Carolina 29690
Phone: 800.891.4808 Fax: 800.868.0084
equip.tsbrass.com

ITEM NO.	SALES NO.	DESCRIPTION
1	EC-FILTER	Replacement Filter
2	020330-45	Solenoid Valve, M22 x 2 Male Thd



Model Number

5EF-0001C

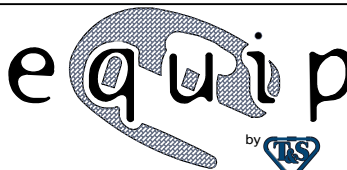
Product Specifications:

**equip Sensor Faucet Control Module with Filter Tee
(Black Module Housing)**

Product Compliance:

ASME A112.18.1 / CSA B125.1
NSF 61 - Section 9
NSF 372 (Low Lead Content)
UL 1951

equip
Foodservice
Accessories



2 Saddleback Cove, P.O. Box 1088
Travelers Rest, South Carolina 29690
Phone: 800.891.4808 Fax: 800.868.0084
equip.tsbrass.com