

This Space for Architect/Engineer Approval

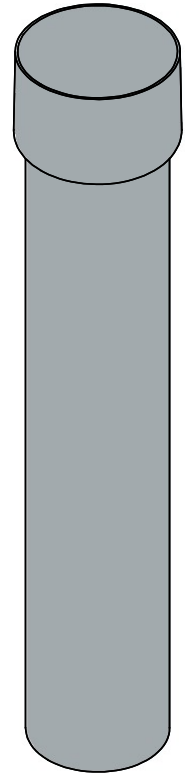
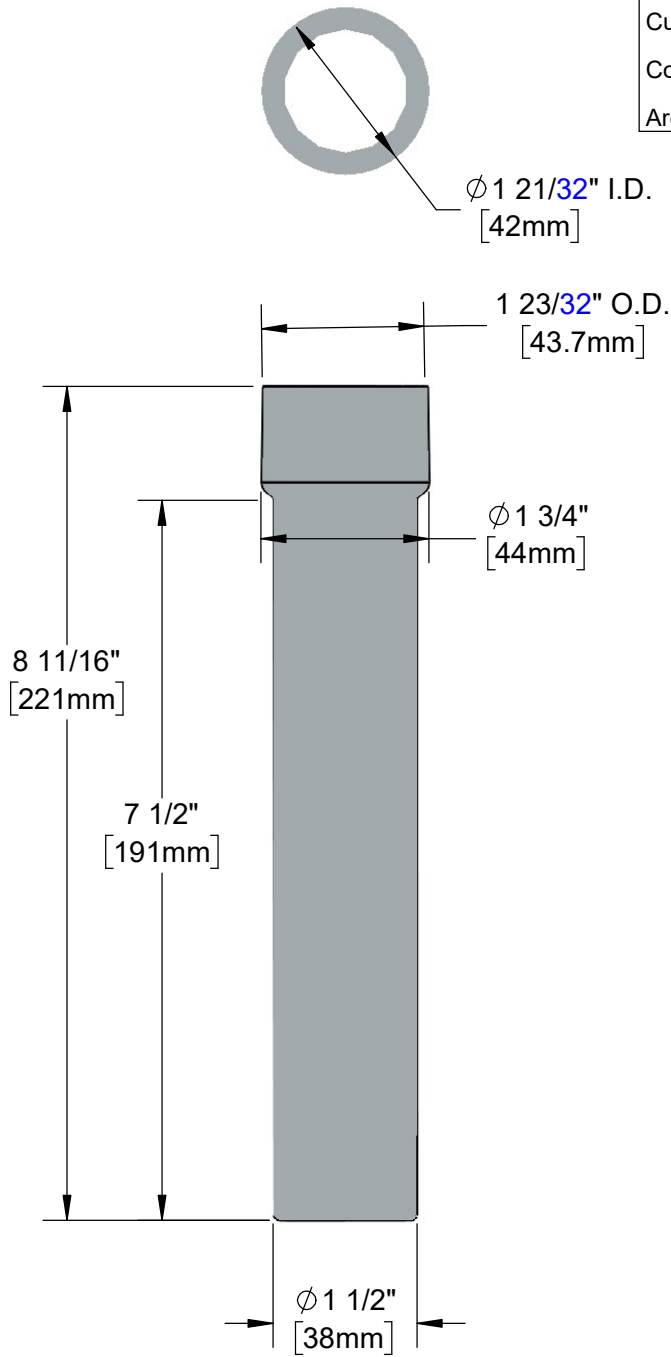
Job Name _____ Date _____

Model Specified _____ Quantity _____

Customer/Wholesaler _____

Contractor _____

Architect/Engineer _____



Bright Polished Stainless Steel

Model Number

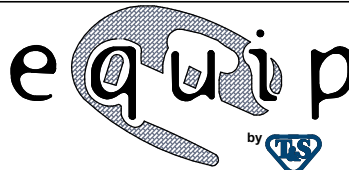
5CS-72I

Product Specifications:

Overflow Tube, Stainless Steel

Product Compliance:

equip
Foodservice
Accessories



2 Saddleback Cove, P.O. Box 1088
Travelers Rest, South Carolina 29690
Phone: 800.891.4808 Fax: 800.868.0084
equip.tsbrass.com

Drawn: KJG

Checked: MRC

Approved: JHB

Date: 02/14/19

Scale: 1:2

Sheet: 1 of 1