



ADA Compliant

This Space for Architect/Engineer Approval

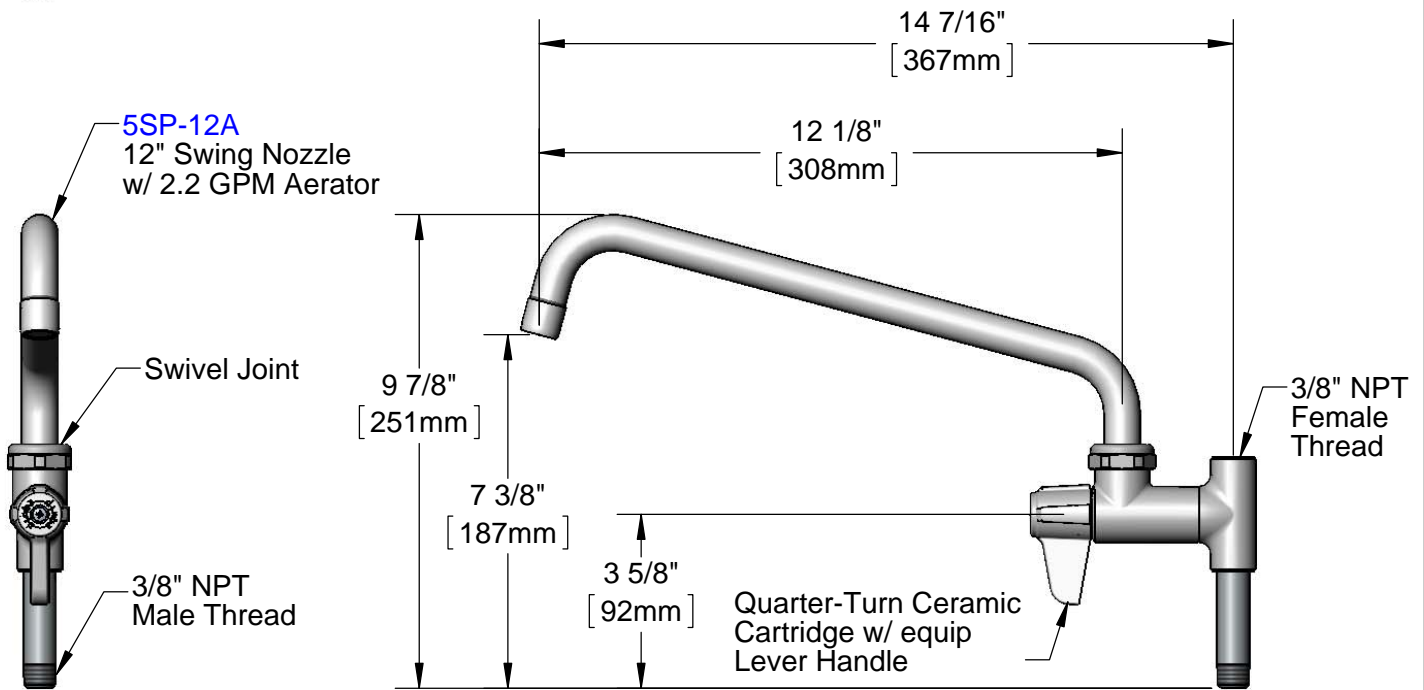
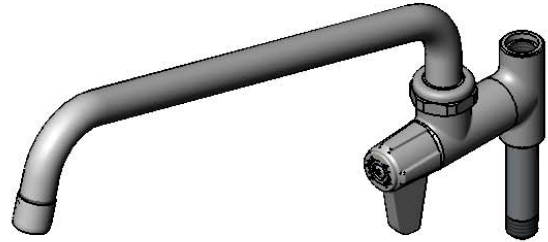
Job Name _____ Date _____

Model Specified _____ Quantity _____

Customer/Wholesaler _____

Contractor _____

Architect/Engineer _____



Model Number

5AFL12A

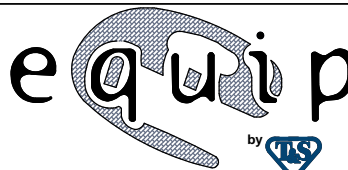
Product Specifications:

Equip Add-On Faucet, Quarter-Turn Ceramic Cartridge,
12" Swing Nozzle & 2.2 GPM Aerator

Product Compliance:

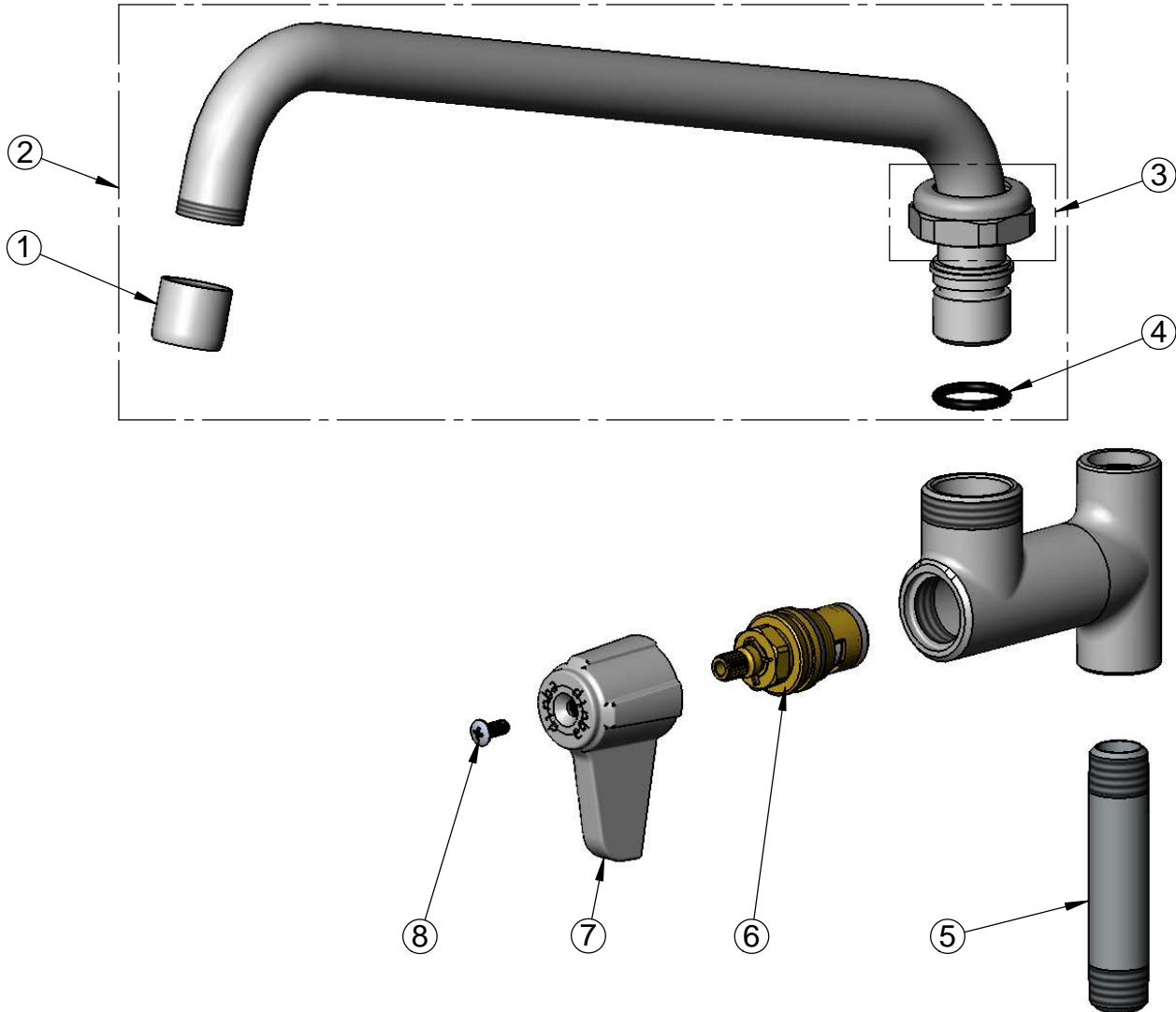
ASME A112.18.1 / CSA B125.1
NSF 61 - Section 9
NSF 372 (Low Lead Content)
ANSI A117.1 (ADA)

equip
Foodservice
Accessories



2 Saddleback Cove, P.O. Box 1088
Travelers Rest, South Carolina 29690
Phone: 800.891.4808 Fax: 800.868.0084
equip.tsbrass.com

ITEM NO.	SALES NO.	DESCRIPTION
1	013838-45	2.2 GPM Aerator, 3/4-27 UN Female
2	5SP-12A	12" equip Swing Nozzle
3	013839-25	equip Swivel Nut
4	013848-45	equip Swivel Piece O-Ring
5	000358-40	Nipple, 3/8" NPT x 3"
6	013787-45	equip Quarter-Turn Ceramic Cartridge, RTC
7	5-HDL-L	equip Lever Handle w/ Color Coded Screws
8	013849-45	Handle Screw



Model Number

5AFL12A

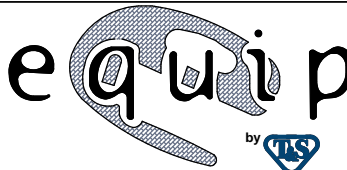
Product Specifications:

Equip Add-On Faucet, Quarter-Turn Ceramic Cartridge,
12" Swing Nozzle & 2.2 GPM Aerator

Product Compliance:

ASME A112.18.1 / CSA B125.1
NSF 61 - Section 9
NSF 372 (Low Lead Content)
ANSI A117.1 (ADA)

equip
Foodservice
Accessories



2 Saddleback Cove, P.O. Box 1088
Travelers Rest, South Carolina 29690
Phone: 800.891.4808 Fax: 800.868.0084
equip.tsbrass.com