



ADA Compliant

This Space for Architect/Engineer Approval

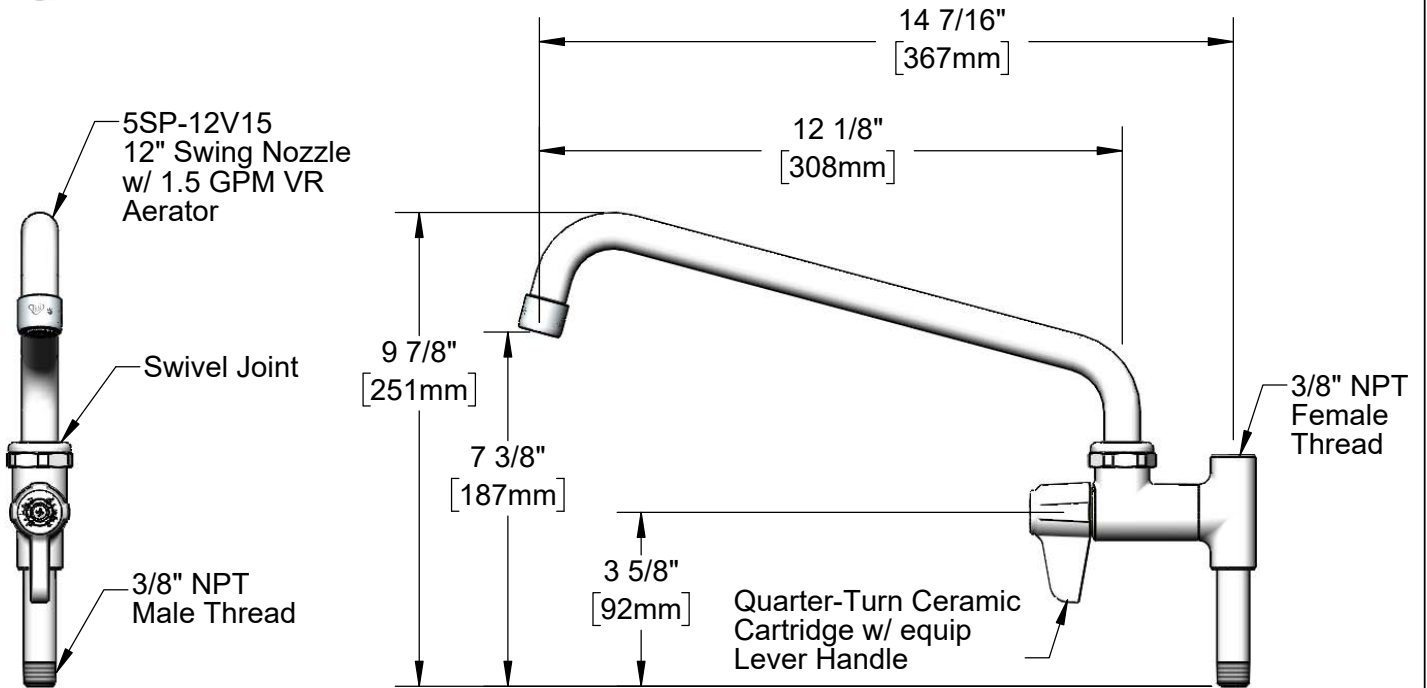
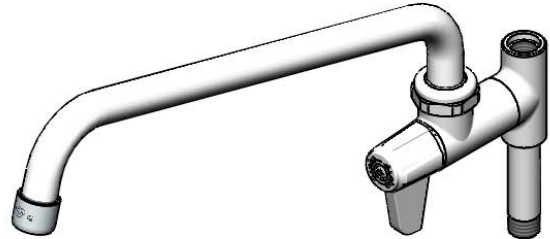
Job Name _____ Date _____

Model Specified _____ Quantity _____

Customer/Wholesaler _____

Contractor _____

Architect/Engineer _____



Model Number

5AFL12-V15

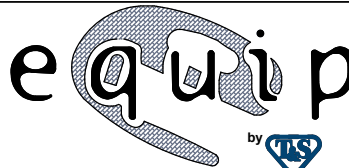
Product Specifications:

Equip Add-On Faucet, Quarter-Turn Ceramic Cartridge,
12" Swing Nozzle & 1.5 GPM VR Aerator

Product Compliance:

ASME A112.18.1 / CSA B125.1
NSF 61 - Section 9
NSF 372 (Low Lead Content)
ANSI A117.1 (ADA)

equip
Foodservice
Accessories



2 Saddleback Cove, P.O. Box 1088
Travelers Rest, South Carolina 29690
Phone: 800.891.4808 Fax: 800.868.0084
equip.tsbrass.com

Drawn: GEF

Checked: JRM

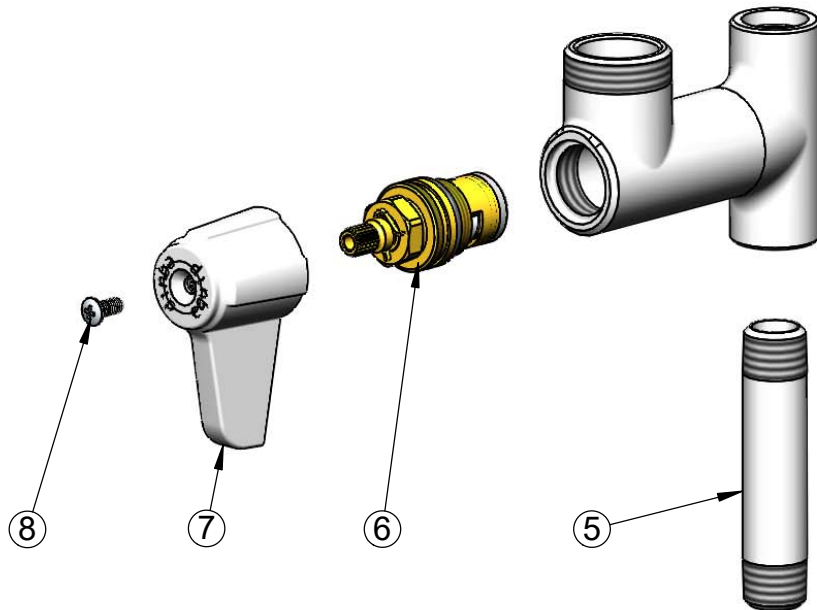
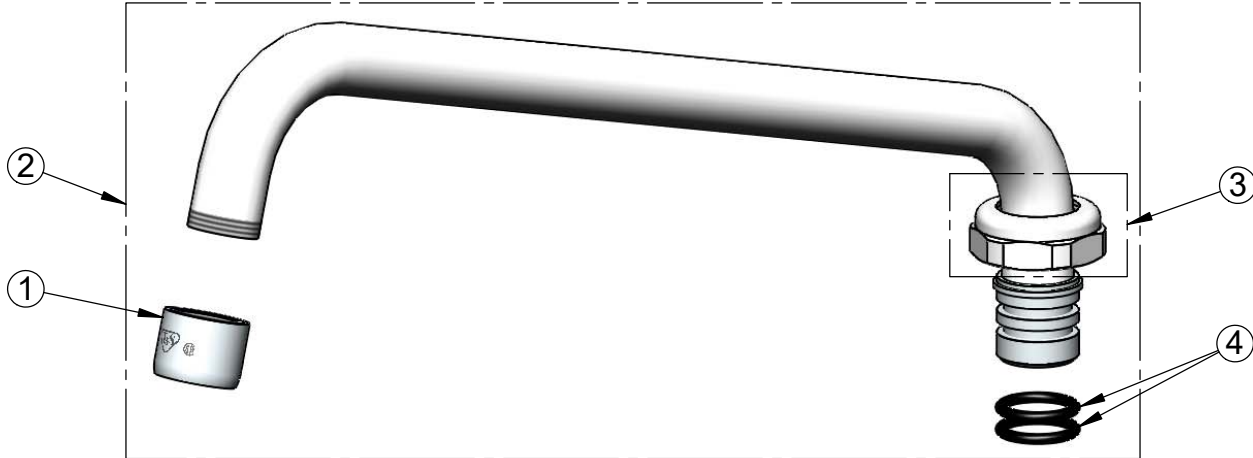
Approved: JHB

Date: 07/13/21

Scale: 1:4

Sheet: 1 of 2

ITEM	PART NO.	DESCRIPTION
1	5F-VF15	equip 1.5 GPM VR Aerator, 3/4-27UN Female
2	5SP-12V15	12" equip Swing Nozzle w/1.5 GPM VR Aerator
3	013839-25	equip Swivel Nut
4	013848-45	equip Swivel Piece O-Ring
5	000358-40	Nipple, 3/8" NPT x 3"
6	013787-45	equip Quarter-Turn Ceramic Cartridge, RTC
7	5-HDL-L	equip Lever Handle w/ Color Coded Screws
8	013849-45	Screw, 4mm Metric (10)



Model Number

5AFL12-V15

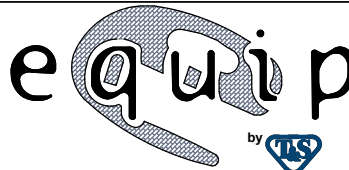
Product Specifications:

Equip Add-On Faucet, Quarter-Turn Ceramic Cartridge,
12" Swing Nozzle & 1.5 GPM VR Aerator

Product Compliance:

ASME A112.18.1 / CSA B125.1
NSF 61 - Section 9
NSF 372 (Low Lead Content)
ANSI A117.1 (ADA)

equip
Foodservice
Accessories



2 Saddleback Cove, P.O. Box 1088
Travelers Rest, South Carolina 29690
Phone: 800.891.4808 Fax: 800.868.0084
equip.tsbrass.com