



ADA Compliant

*This Space for Architect/Engineer Approval*

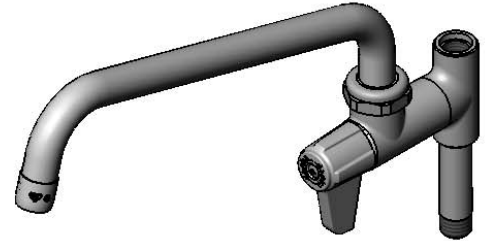
Job Name \_\_\_\_\_ Date \_\_\_\_\_

Model Specified \_\_\_\_\_ Quantity \_\_\_\_\_

Customer/Wholesaler \_\_\_\_\_

Contractor \_\_\_\_\_

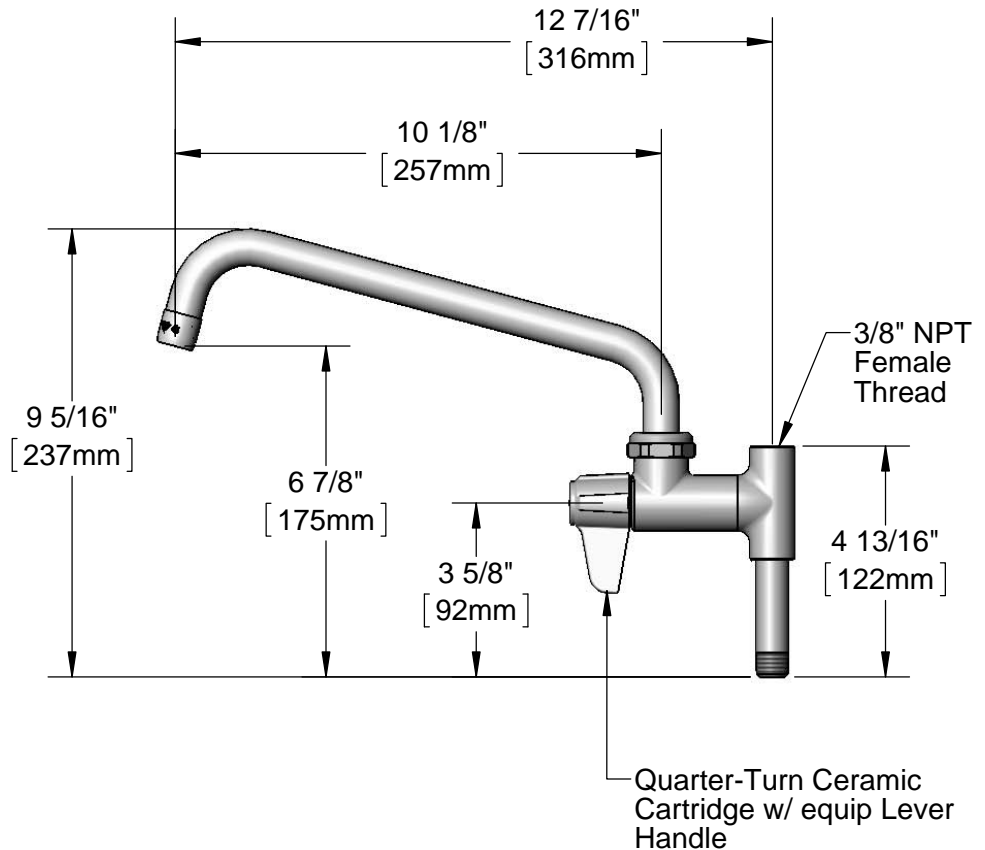
Architect/Engineer \_\_\_\_\_



5SP-10  
10" Swing Nozzle  
w/ Laminar Full  
Flow Device

Swivel Joint

3/8" NPT  
Male Thread



Model Number

**5AFL10**

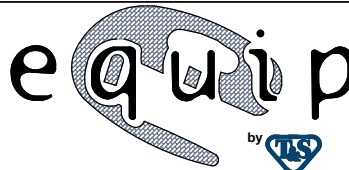
Product Specifications:

equip Add-On Faucet, Quarter-Turn Ceramic Cartridge,  
10" Swing Nozzle & Laminar Full Flow Device

Product Compliance:

ASME A112.18.1 / CSA B125.1  
NSF 61 - Section 9  
NSF 372 (Low Lead Content)  
ANSI A117.1 (ADA)

equip  
Foodservice  
Accessories



2 Saddleback Cove, P.O. Box 1088  
Travelers Rest, South Carolina 29690  
Phone: 800.891.4808 Fax: 800.868.0084  
equip.tsbrass.com

Drawn: KJG

Checked: JRM

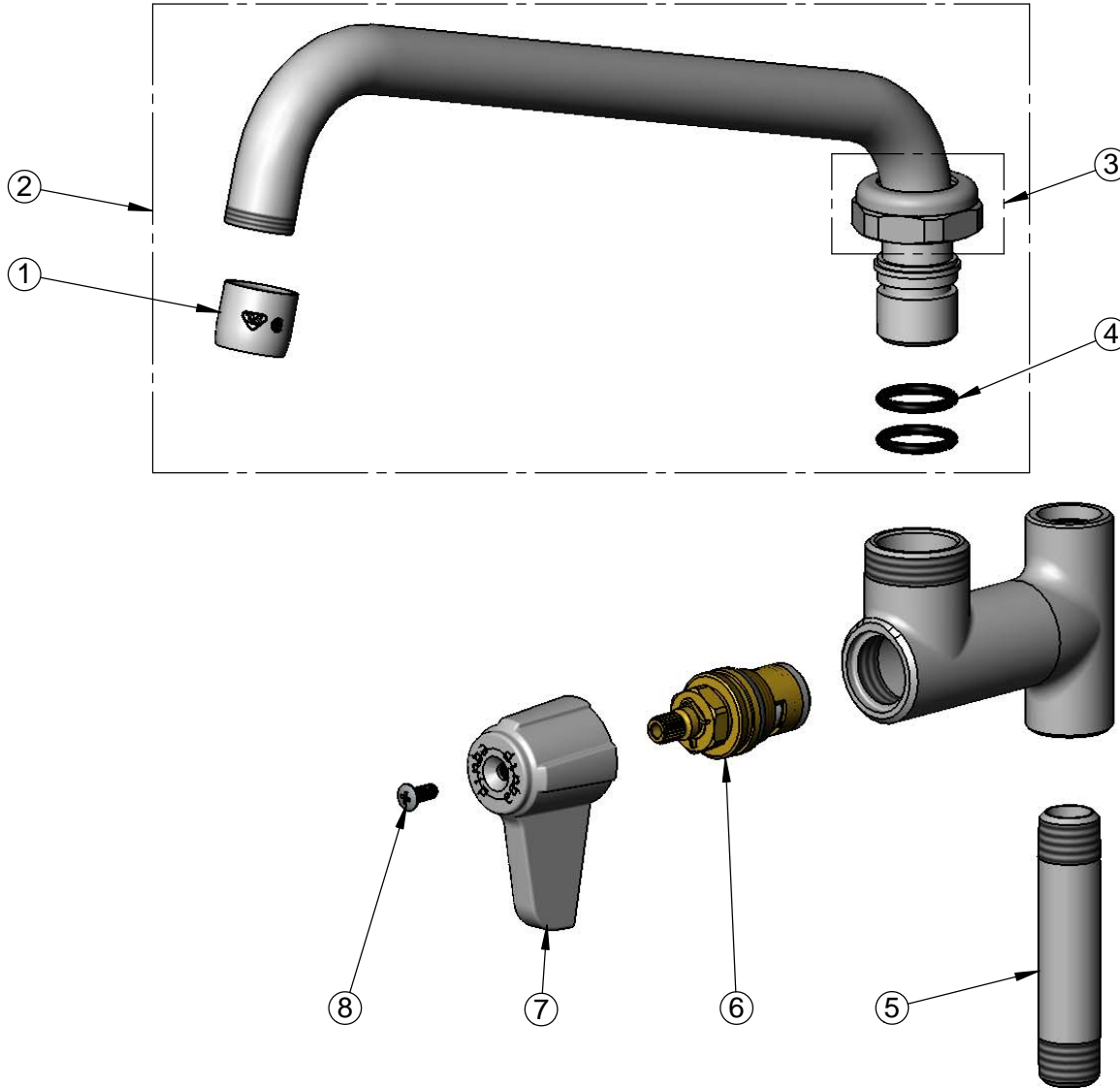
Approved: JHB

Date: 10/24/16

Scale: 1:4

Sheet: 1 of 2

ITEM NO.	SALES NO.	DESCRIPTION
1	014250-45	Laminar Full Flow Device, 3/4-27 UN Female
2	5SP-10	10" Swing Nozzle
3	013839-25	equip Swivel Nut
4	013848-45	equip Swivel Piece O-Ring
5	000358-40	3/8" NPT x 3" Nipple
6	013787-45	equip Quarter-Turn Ceramic Cartridge, RTC
7	5-HDL-L	equip Lever Handle
8	013849-45	Lever Handle Screw



Model Number

**5AFL10**

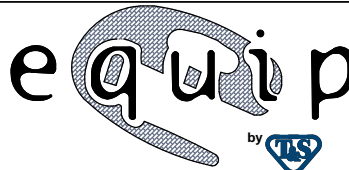
Product Specifications:

equip Add-On Faucet, Quarter-Turn Ceramic Cartridge,  
10" Swing Nozzle & Laminar Full Flow Device

Product Compliance:

ASME A112.18.1 / CSA B125.1  
NSF 61 - Section 9  
NSF 372 (Low Lead Content)  
ANSI A117.1 (ADA)

equip  
Foodservice  
Accessories



2 Saddleback Cove, P.O. Box 1088  
Travelers Rest, South Carolina 29690  
Phone: 800.891.4808 Fax: 800.868.0084  
equip.tsbrass.com