

*This Space for Architect/Engineer Approval*

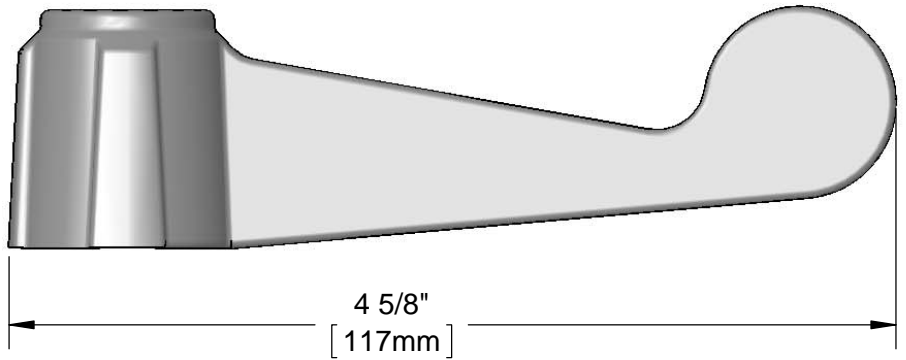
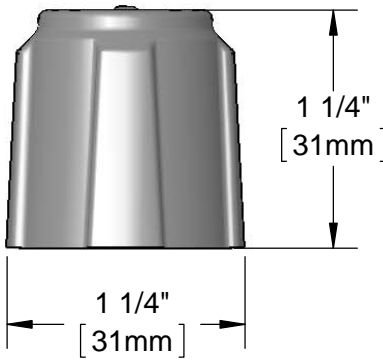
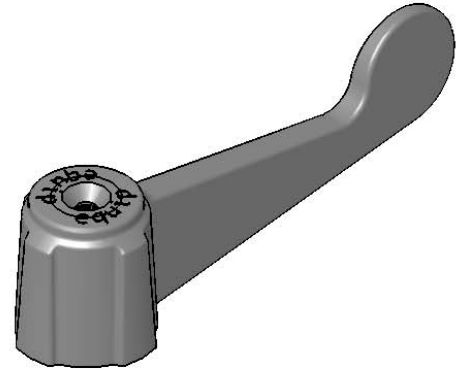
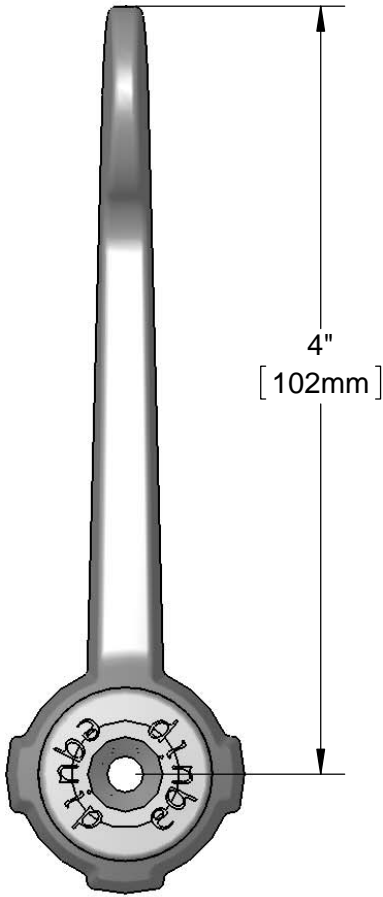
Job Name \_\_\_\_\_ Date \_\_\_\_\_

Model Specified \_\_\_\_\_ Quantity \_\_\_\_\_

Customer/Wholesaler \_\_\_\_\_

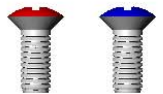
Contractor \_\_\_\_\_

Architect/Engineer \_\_\_\_\_



**5-HDL-W INCLUDES:**

- 1 EQUIP WRIST ACTION HANDLE
- 1 STAINLESS STEEL CSK SCREW, COLOR CODED (RED) w/ SELF-LOCKING PATCH
- 1 STAINLESS STEEL CSK SCREW, COLOR CODED (BLUE) w/ SELF-LOCKING PATCH



Model Number  
**5-HDL-W**

Product Specifications:  
**EQUIP WRIST ACTION HANDLE KIT  
w/ (2) COLOR CODED SCREWS  
(1-RED & 1-BLUE)**

Product Compliance:

equip  
Foodservice  
Accessories



2 Saddleback Cove, P.O. Box 1088  
Travelers Rest, South Carolina 29690  
Phone: 800.891.4808 Fax: 800.868.0084  
equip.tsbrass.com