

This Space for Architect/Engineer Approval

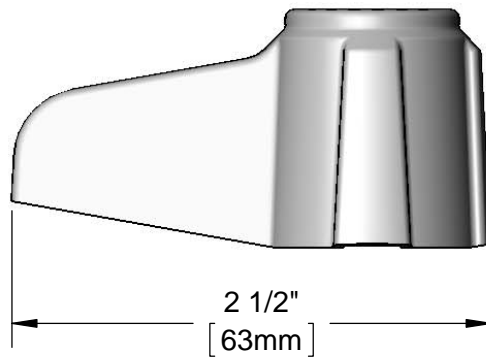
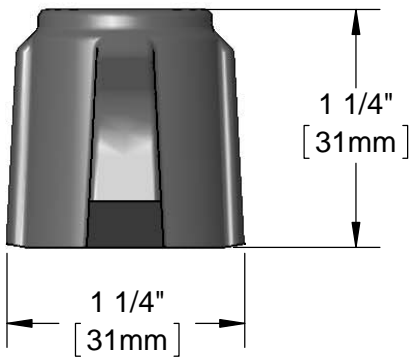
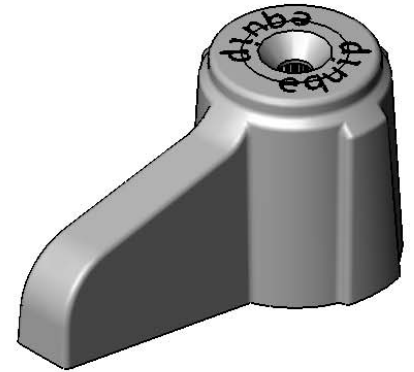
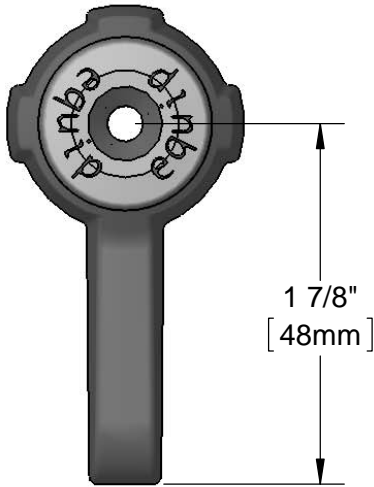
Job Name _____ Date _____

Model Specified _____ Quantity _____

Customer/Wholesaler _____

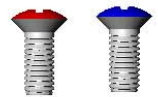
Contractor _____


Architect/Engineer _____



5-HDL-L INCLUDES:

- 1 "equip" Lever Handle
- 1 Stainless Steel Screw, Color Coded (Red) w/ Self-Locking Patch
- 1 Stainless Steel Screw, Color Coded (Blue) w/ Self-Locking Patch



<p>Model Number</p> <p style="text-align: center;">5-HDL-L</p>	<p>Product Specifications:</p> <p style="text-align: center;">"equip" Lever Handle Kit w/ (2) Color Coded Screws (1-Red & 1-Blue)</p>
<p>Product Compliance:</p>	<div style="display: flex; justify-content: space-between; align-items: center;"> <div data-bbox="600 1906 738 1980"> <p>equip Foodservice Accessories</p> </div> <div data-bbox="747 1858 1096 2026" style="text-align: center;">  </div> <div data-bbox="1104 1896 1550 1995"> <p>2 Saddleback Cove, P.O. Box 1088 Travelers Rest, South Carolina 29690 Phone: 800.891.4808 Fax: 800.868.0084 equip.tsbrass.com</p> </div> </div>