



T&S BRASS AND BRONZE WORKS, INC.

2 Saddleback Cove / P.O. Box 1088
Travelers Rest, SC 29690

Model No.

238AH

Item No.

Travelers Rest, SC: 800-476-4103 • Simi Valley, CA: 800-423-0150 • Fax: 864-834-3518 • www.tsbrass.com



ADA Compliant

This Space for Architect/Engineer Approval

Job Name _____ Date _____

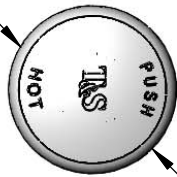
Model Specified _____ Quantity _____

Customer/Wholesaler _____

Contractor _____

Architect/Engineer _____

Hot Push Button
w/ VR Screw &
Spanner Bit

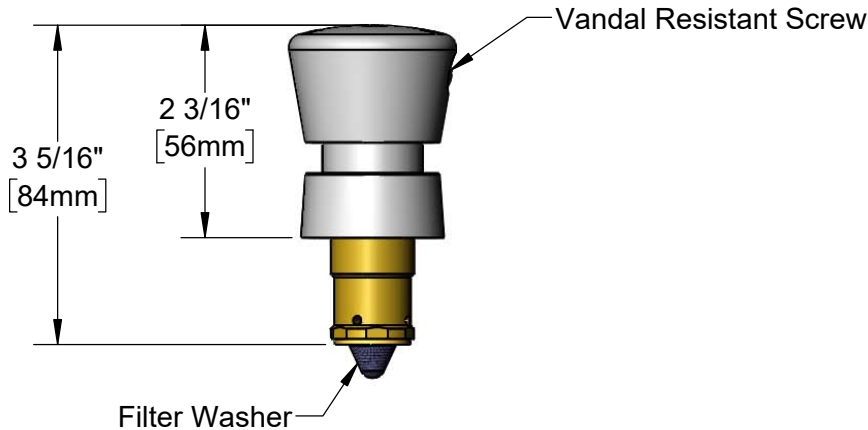
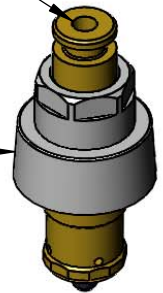


Ø 1 3/4"
[44mm]

Access to Metering
Adjustment (Requires
3/32" Hex Key Wrench)



238A
Metering
Cartridge



014734-45
#8 Spanner Bit
(Included)

Product Specifications:

238A Metering Cartridge with Hot Push Button

Product Compliance:

ASME A112.18.1 / CSA B125.1
NSF 61 - Section 9
NSF 372 (Low Lead Content)
ANSI A117.1 (ADA)