



# T&S BRASS AND BRONZE WORKS, INC.

2 Saddleback Cove / P.O. Box 1088  
Travelers Rest, SC 29690

Model No.

**238AB**

Item No.

Travelers Rest, SC: 800-476-4103 • Simi Valley, CA: 800-423-0150 • Fax: 864-834-3518 • www.tsbrass.com



**ADA Compliant**

This Space for Architect/Engineer Approval

Job Name \_\_\_\_\_ Date \_\_\_\_\_

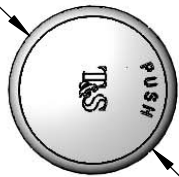
Model Specified \_\_\_\_\_ Quantity \_\_\_\_\_

Customer/Wholesaler \_\_\_\_\_

Contractor \_\_\_\_\_

Architect/Engineer \_\_\_\_\_

Blank Push Button  
w/ VR Screw &  
Spanner Bit

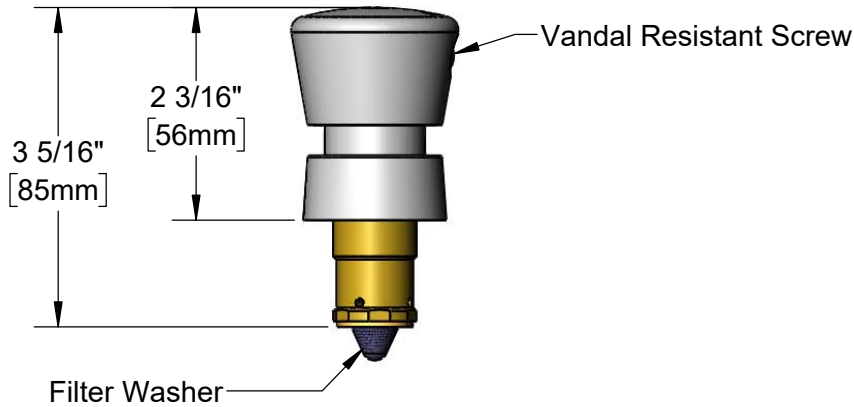
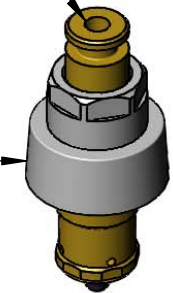


Ø 1 3/4"  
[44mm]

Access to Metering  
Adjustment (Requires  
3/32" Hex Key Wrench)



**238A**  
Metering  
Cartridge



**014734-45**  
#8 Spanner Bit  
(Included)

Product Specifications:  
**238A** Metering Cartridge w/ Blank Push Button

Product Compliance:  
ASME A112.18.1 / CSA B125.1  
NSF 61 - Section 9  
NSF 372 (Low Lead Content)  
ANSI A117.1 (ADA)