



# T&S BRASS AND BRONZE WORKS, INC.

2 Saddleback Cove / P.O. Box 1088  
Travelers Rest, SC 29690



REG. #A2601  
ISO #9001

Model No.

**238A-PA**

Item No.

Travelers Rest, SC: 800-476-4103 Simi Valley, CA: 800-423-0150 Fax: 864-834-3518 www.tsbrass.com

This Space for Architect/Engineer Approval

Job Name \_\_\_\_\_ Date \_\_\_\_\_

Model Specified \_\_\_\_\_ Quantity \_\_\_\_\_

Customer/Wholesaler \_\_\_\_\_

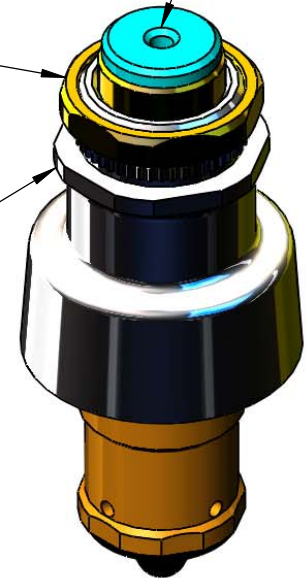
Contractor \_\_\_\_\_

Architect/Engineer \_\_\_\_\_

Access to Metering Adjustment  
with a 3/32" Hex Key

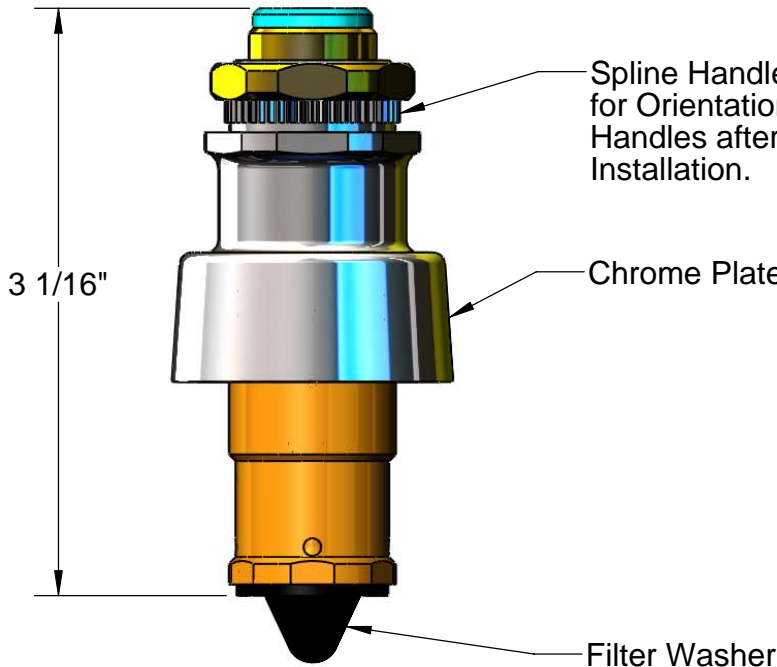
PA-N  
Handle Retaining Nut  
Included (1" Hex)

1 1/16" Hex on Bonnet  
for Cartridge Installation  
and Removal



Spline Handle Connection  
for Orientation of "PA" Type  
Handles after Cartridge  
Installation.

Chrome Plated Brass Bonnet



Note:  
1. Bonnet Washer and Filter Washer Pre-installed.

Product Specifications:

**238A-PA** Pivot Action Metering Cartridge  
w/ Retaining Nut

Drawn DMH	Checked GEF	Approved JHB
Scale: 1:1		Date: 07/09/08