



# T&S BRASS AND BRONZE WORKS, INC.

2 Saddleback Cove / P.O. Box 1088  
Travelers Rest, SC 29690

Model No.

**160X-WS**

Item No.

Travelers Rest, SC: 800-476-4103 • Simi Valley, CA: 800-423-0150 • Fax: 864-834-3518 • www.tsbrass.com

This Space for Architect/Engineer Approval

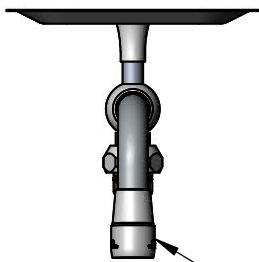
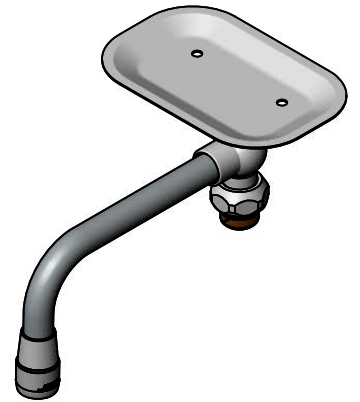
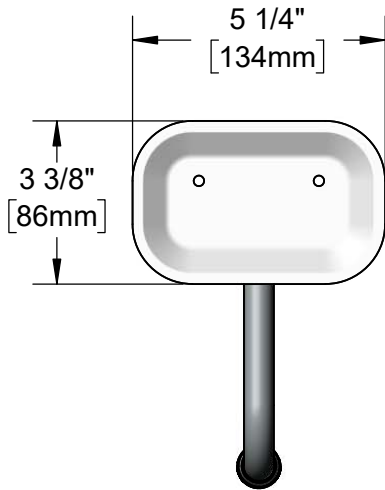
Job Name \_\_\_\_\_ Date \_\_\_\_\_

Model Specified \_\_\_\_\_ Quantity \_\_\_\_\_

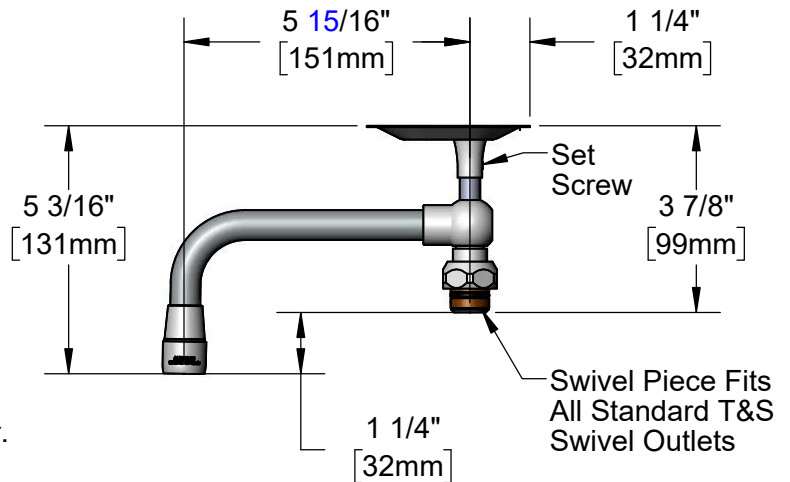
Customer/Wholesaler \_\_\_\_\_

Contractor \_\_\_\_\_

Architect/Engineer \_\_\_\_\_



**B-0199-02-WS**  
1.5 GPM Aerator.



Product Specifications:  
5 15/16" Swing Nozzle w/ Soap Dish & 1.5 GPM Aerator

Product Compliance:  
ASME A112.18.1 / CSA B125.1  
NSF 61 - Section 9  
NSF 372 (Low Lead Content)



# T&S BRASS AND BRONZE WORKS, INC.

2 Saddleback Cove / P.O. Box 1088  
Travelers Rest, SC 29690

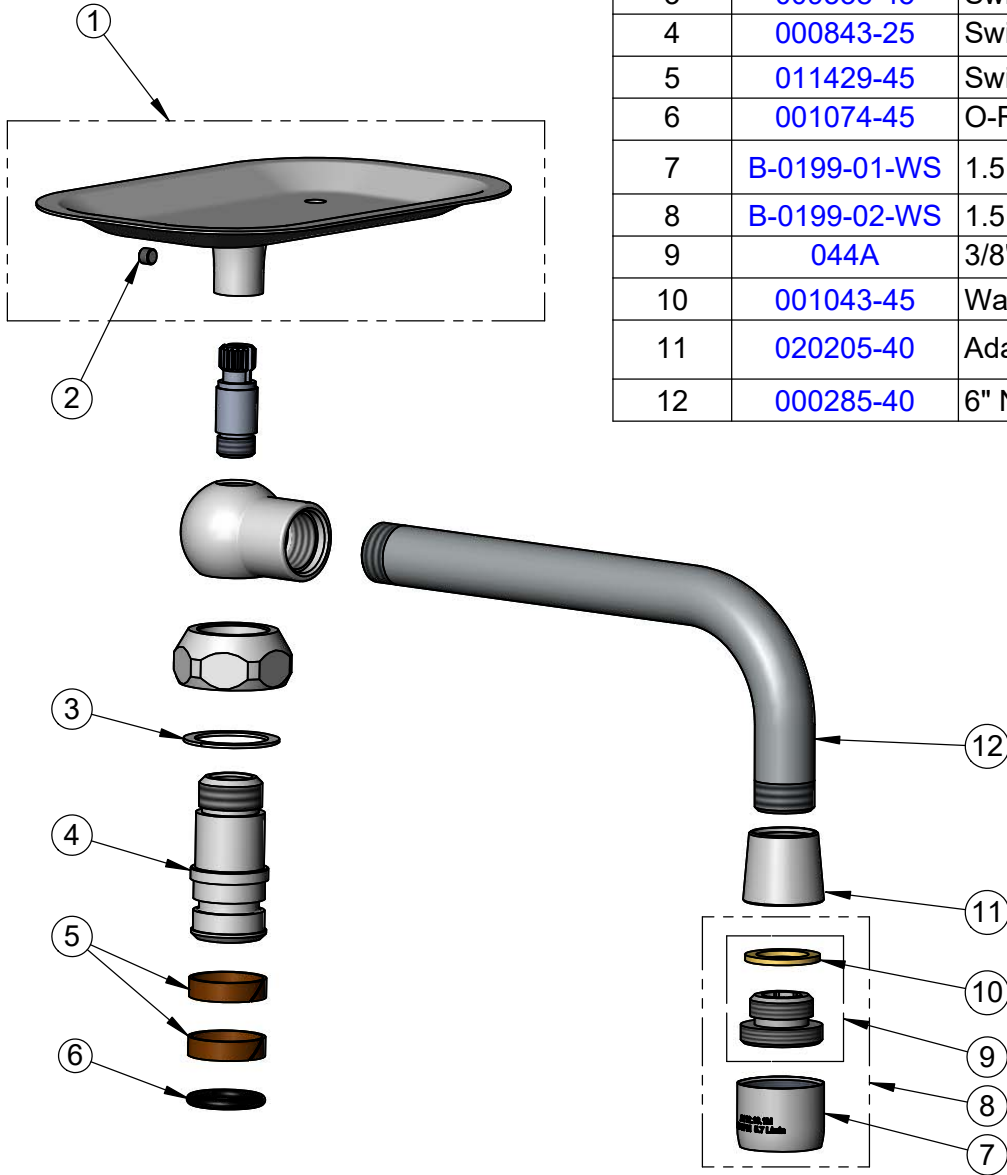
Model No.

**160X-WS**

Item No.

Travelers Rest, SC: 800-476-4103 • Simi Valley, CA: 800-423-0150 • Fax: 864-834-3518 • www.tsbrass.com

ITEM NO.	SALES NO.	DESCRIPTION
1	B-SD	Soap Dish
2	000939-45	Escutcheon, Set Screw
3	009538-45	Swivel Washer
4	000843-25	Swivel Body
5	011429-45	Swivel Sleeves (2)
6	001074-45	O-Ring
7	B-0199-01-WS	1.5 GPM Aerator, 55/64-27 Female
8	B-0199-02-WS	1.5 GPM Aerator, 3/8" NPSM Male
9	044A	3/8" to Aerator Adapter
10	001043-45	Washer
11	020205-40	Adapter, 5/8-27 UN x 3/8-18 NPSM
12	000285-40	6" Nozzle



Product Specifications:  
5 15/16" Swing Nozzle w/ Soap Dish & 1.5 GPM Aerator

Product Compliance:  
ASME A112.18.1 / CSA B125.1  
NSF 61 - Section 9  
NSF 372 (Low Lead Content)