



T&S BRASS AND BRONZE WORKS, INC.
 2 Saddleback Cove / P.O. Box 1088
 Travelers Rest, SC 29690

Model No.
135X-LAM

Item No.

Travelers Rest, SC: 800-476-4103 • Simi Valley, CA: 800-423-0150 • Fax: 864-834-3518 • www.tsbrass.com

This Space for Architect/Engineer Approval

Job Name _____ Date _____

Model Specified _____ Quantity _____

Customer/Wholesaler _____

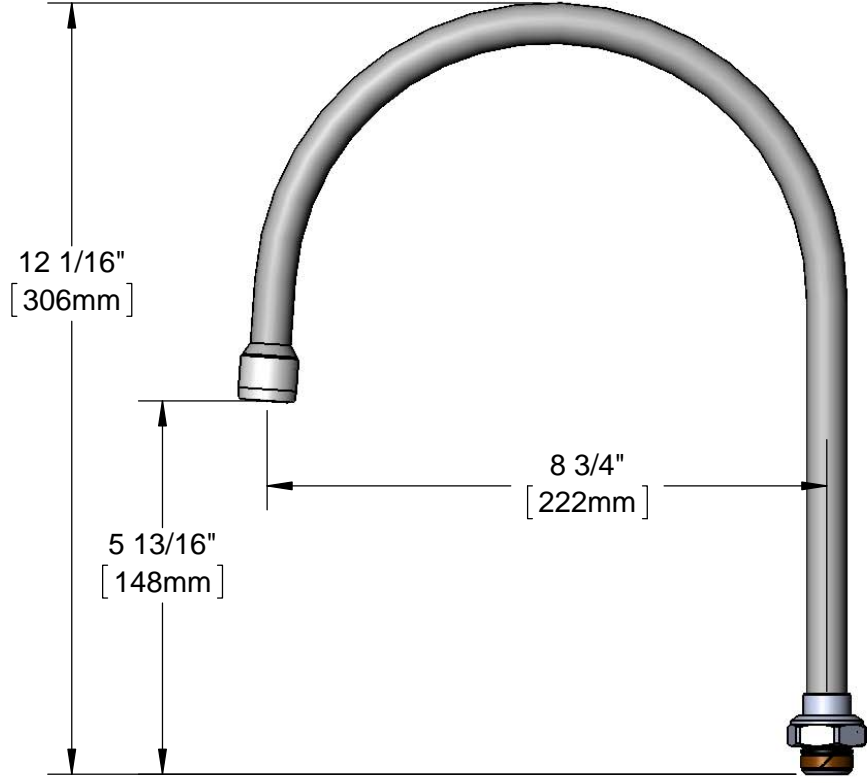
Contractor _____

Architect/Engineer _____



B-0199-21
 2.2 GPM
 Laminar Flow
 Device

Swivel Joint Fits
 All Standard T&S
 Swivel Outlets



Product Specifications:
 Swivel Gooseneck w/ 8 3/4" Spread & 2.2 GPM Laminar Flow Device

Drawn KJG	Checked DMH	Approved JHB
Scale: 1:3		Date: 10/04/13