



T&S BRASS AND BRONZE WORKS, INC.
 2 Saddleback Cove / P.O. Box 1088
 Travelers Rest, SC 29690

Model No.
1171-X

Item No.

Travelers Rest, SC: 800-476-4103 • Simi Valley, CA: 800-423-0150 • Fax: 864-834-3518 • www.tsbrass.com

This Space for Architect/Engineer Approval

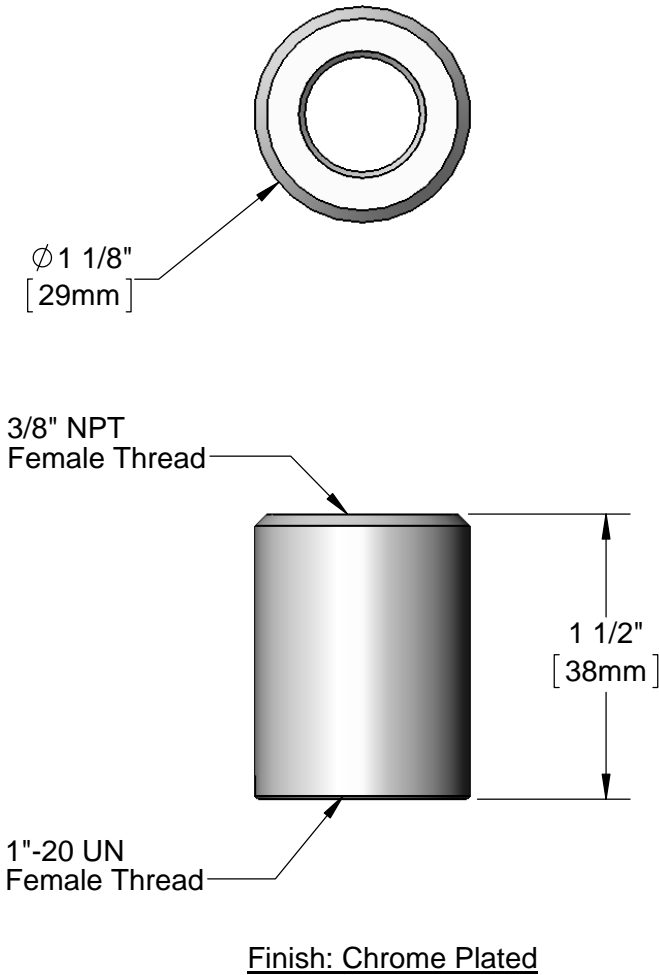
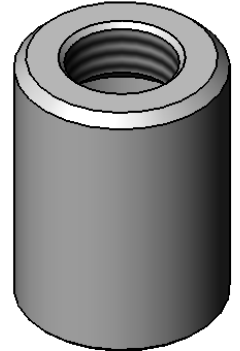
Job Name _____ Date _____

Model Specified _____ Quantity _____

Customer/Wholesaler _____

Contractor _____

Architect/Engineer _____



Note:

1. **1171-X** is Intended for Use On Faucets w/ Sidespray Hoses Where Rigid Gooseneck is Desired
2. **B-0413** Swivel to Rigid Adapter Will Not Function Where Sidespray Hose is Present

Product Specifications:
 Swivel to Rigid Adapter for Faucets Using Diverter Sidespray Hoses

Drawn KJG	Checked DMH	Approved JHB
Scale: 1:1		Date: 10/29/13