



T&S BRASS AND BRONZE WORKS, INC.
 2 Saddleback Cove / P.O. Box 1088
 Travelers Rest, SC 29690

Model No.

0RK1

Item No.

Travelers Rest, SC: 800-476-4103 • Simi Valley, CA: 800-423-0150 • Fax: 864-834-3518 • www.tsbrass.com

This Space for Architect/Engineer Approval

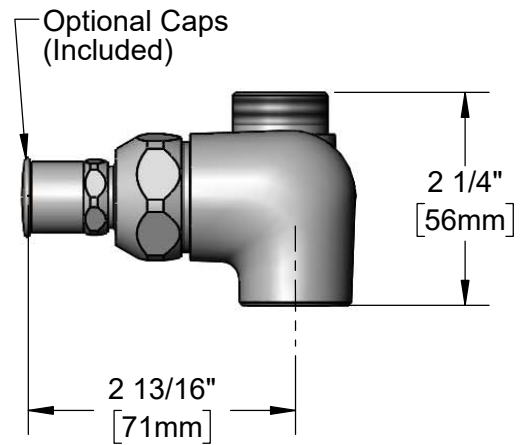
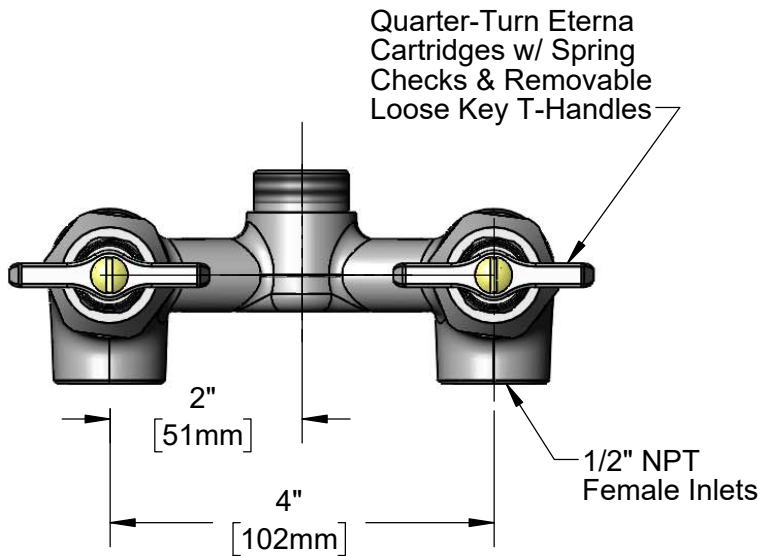
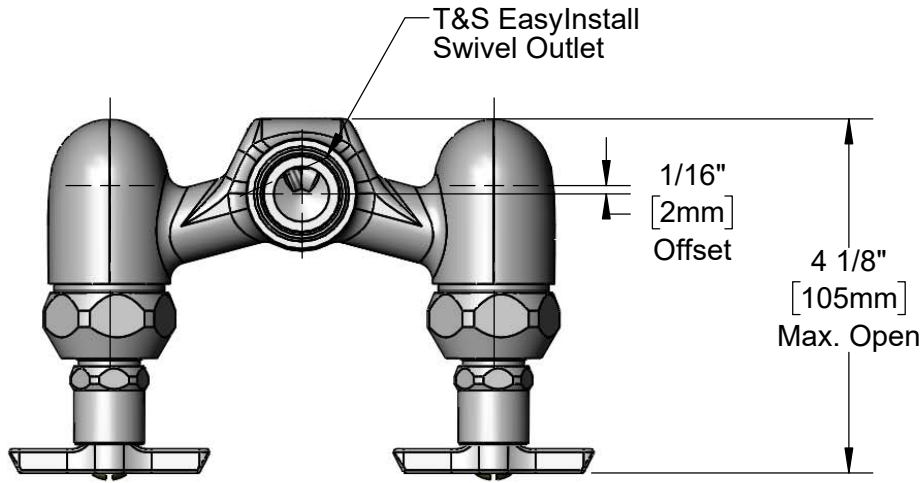
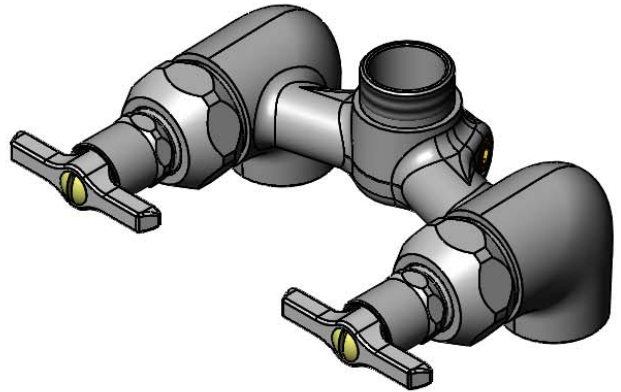
Job Name _____ Date _____

Model Specified _____ Quantity _____

Customer/Wholesaler _____

Contractor _____

Architect/Engineer _____



Rough-In Requirement:
 (2) ϕ 1 1/8" [29mm] Panel Holes

Product Specifications:
 4" Mixing Control Valve w/ Loose Key T-Handles, Quarter-Turn Eterna Cartridges w/ Spring Checks, 1/2" NPT Female Bottom Inlets & EasyInstall Swivel Outlet

Product Compliance:
 ASME A112.18.1 / CSA B125.1
 NSF 61 - Section 9
 NSF 372 (Low Lead Content)



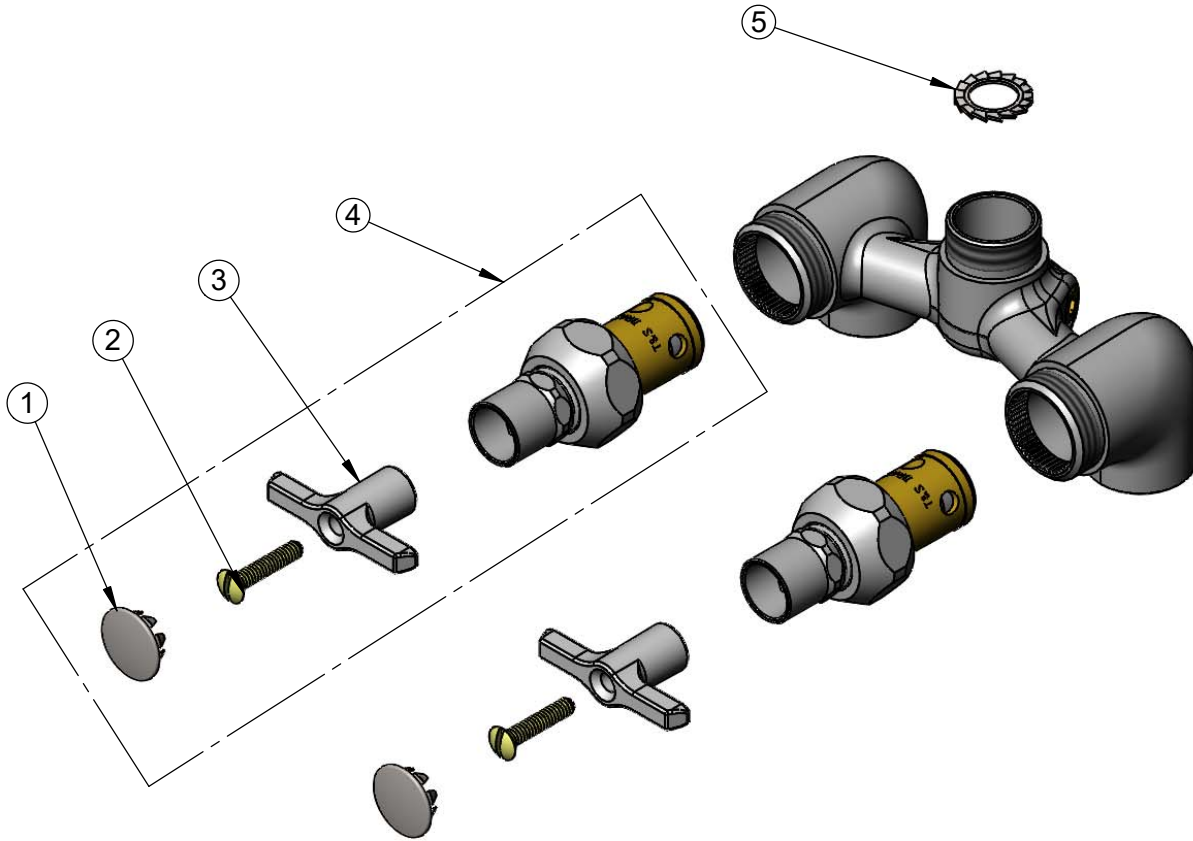
T&S BRASS AND BRONZE WORKS, INC.
 2 Saddleback Cove / P.O. Box 1088
 Travelers Rest, SC 29690

Model No.
0RK1

Item No.

Travelers Rest, SC: 800-476-4103 • Simi Valley, CA: 800-423-0150 • Fax: 864-834-3518 • www.tsbrass.com

ITEM NO.	SALES NO.	DESCRIPTION
1	001605-45	Cap
2	002432-45	Screw, Tee Handle
3	001802-45	Handle, Supply Stop "T"
4	124A-NS	Quarter-Turn Eterna Cartridge w/ Spring Check & Loose Key Stop w/ T- Handle, Screw & Cap
5	014200-45	Star Washer, Anti-Rotation



Product Specifications:
 4" Mixing Control Valve w/ Loose Key T-Handles, Quarter-Turn Eterna
 Cartridges w/ Spring Checks, 1/2" NPT Female Bottom Inlets & EasyInstall
 Swivel Outlet

Product Compliance:
 ASME A112.18.1 / CSA B125.1
 NSF 61 - Section 9
 NSF 372 (Low Lead Content)