



T&S BRASS AND BRONZE WORKS, INC.
 2 Saddleback Cove / P.O. Box 1088
 Travelers Rest, SC 29690

Model No.
OCS8

Item No.

Travelers Rest, SC: 800-476-4103 • Simi Valley, CA: 800-423-0150 • Fax: 864-834-3518 • www.tsbrass.com

This Space for Architect/Engineer Approval

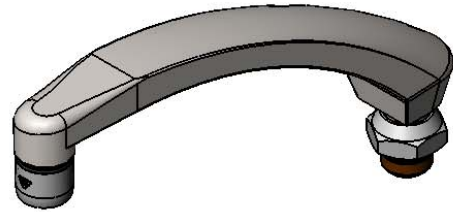
Job Name _____ Date _____

Model Specified _____ Quantity _____

Customer/Wholesaler _____

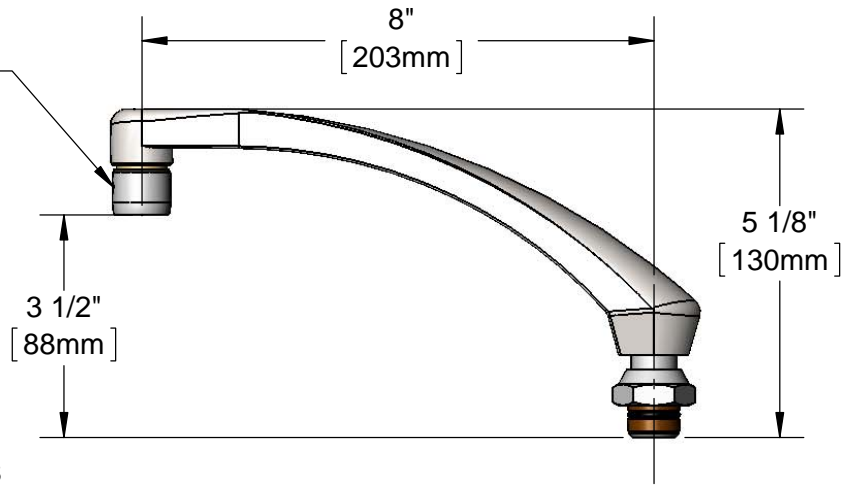
Contractor _____

Architect/Engineer _____



B-0199-02
 2.2 GPM Aerator

Swivel Nut Fits
 All Standard T&S
 Swivel Outlets



Product Specifications:
 8" Swivel Cast Spout, 2.2 GPM Aerator

Product Compliance:
 ASME A112.18.1 / CSA B125.1
 NSF 61 - Section 9
 NSF 372 (Low Lead Content)



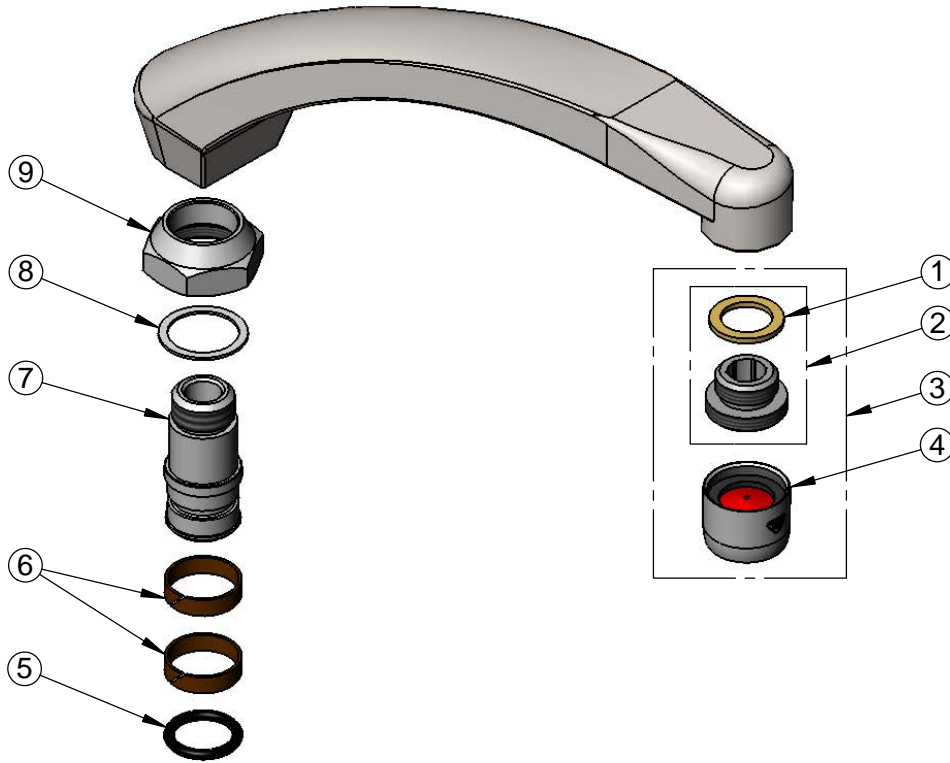
T&S BRASS AND BRONZE WORKS, INC.
 2 Saddleback Cove / P.O. Box 1088
 Travelers Rest, SC 29690

Model No.
OCS8

Item No.

Travelers Rest, SC: 800-476-4103 • Simi Valley, CA: 800-423-0150 • Fax: 864-834-3518 • www.tsbrass.com

ITEM NO.	SALES NO.	DESCRIPTION
1	001043-45	Washer
2	044A	3/8" to Aerator Adapter
3	B-0199-02	2.2 GPM Aerator w/ Adapter
4	B-0199-01	2.2 GPM Aerator, 55/64"-27 UN Female
5	001074-45	O-Ring
6	011429-45	Swivel Sleeves (2)
7	000843-25	Swivel Body
8	009E	Plastic Washer
9	000711-40	Swivel Nut



Product Specifications:
 8" Swivel Cast Spout, 2.2 GPM Aerator

Product Compliance:
 ASME A112.18.1 / CSA B125.1
 NSF 61 - Section 9
 NSF 372 (Low Lead Content)