



T&S BRASS AND BRONZE WORKS, INC.
 2 Saddleback Cove / P.O. Box 1088
 Travelers Rest, SC 29690

Model No.
OCS6

Item No.

Travelers Rest, SC: 800-476-4103 • Simi Valley, CA: 800-423-0150 • Fax: 864-834-3518 • www.tsbrass.com

This Space for Architect/Engineer Approval

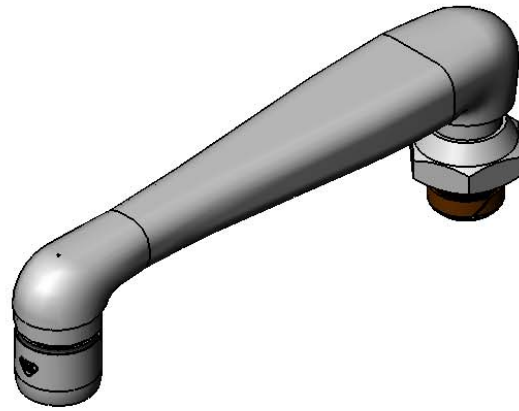
Job Name _____ Date _____

Model Specified _____ Quantity _____

Customer/Wholesaler _____

Contractor _____

Architect/Engineer _____



B-0199-02
 2.2 GPM Aerator

1 1/16"
 [18mm]

6"
 [152mm]

2 5/16"
 [59mm]

Swivel Nut Fits
 All Standard T&S
 Swivel Outlets

Product Specifications:
 6" Swivel Cast Spout, 2.2 GPM Aerator

Product Compliance:
 ASME A112.18.1 / CSA B125.1
 NSF 61 - Section 9
 NSF 372 (Low Lead Content)

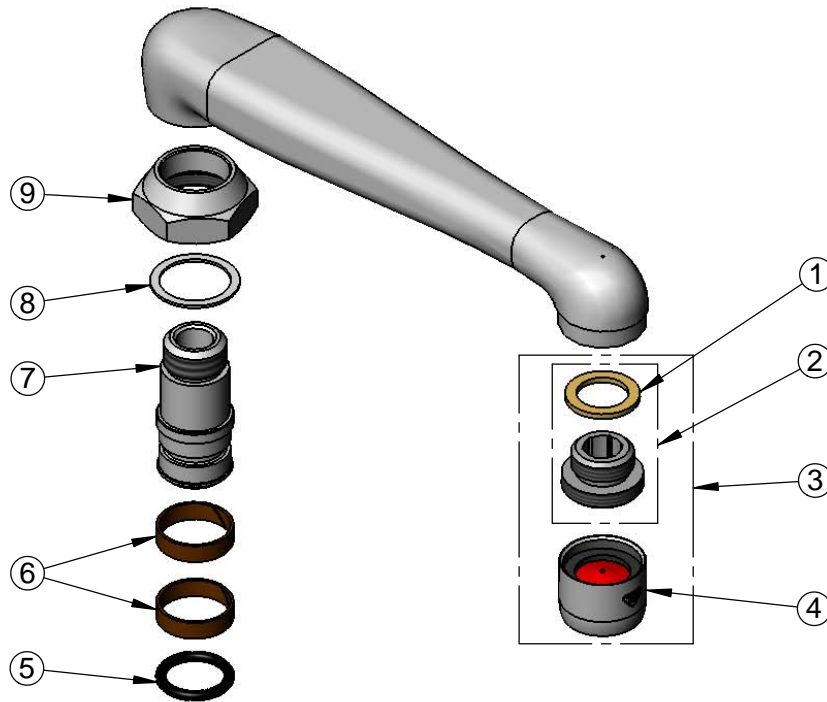


T&S BRASS AND BRONZE WORKS, INC.
 2 Saddleback Cove / P.O. Box 1088
 Travelers Rest, SC 29690

Model No.
OCS6
 Item No.

Travelers Rest, SC: 800-476-4103 • Simi Valley, CA: 800-423-0150 • Fax: 864-834-3518 • www.tsbrass.com

| ITEM NO. | SALES NO. | DESCRIPTION |
|----------|-----------|--------------------------------------|
| 1 | 001043-45 | Washer |
| 2 | 044A | 3/8" to Aerator Adapter |
| 3 | B-0199-02 | 2.2 GPM Aerator w/ Adapter |
| 4 | B-0199-01 | 2.2 GPM Aerator, 55/64"-27 UN Female |
| 5 | 001074-45 | O-Ring |
| 6 | 011429-45 | Swivel Sleeves (2) |
| 7 | 000843-25 | Swivel Body |
| 8 | 009E | Plastic Washer |
| 9 | 000711-40 | Swivel Nut |



Product Specifications:
 6" Swivel Cast Spout, 2.2 GPM Aerator

Product Compliance:
 ASME A112.18.1 / CSA B125.1
 NSF 61 - Section 9
 NSF 372 (Low Lead Content)