



T&S BRASS AND BRONZE WORKS, INC.
 2 Saddleback Cove / P.O. Box 1088
 Travelers Rest, SC 29690

Model No.
067X-A22

Item No.

Travelers Rest, SC: 800-476-4103 • Simi Valley, CA: 800-423-0150 • Fax: 864-834-3518 • www.tsbrass.com

This Space for Architect/Engineer Approval

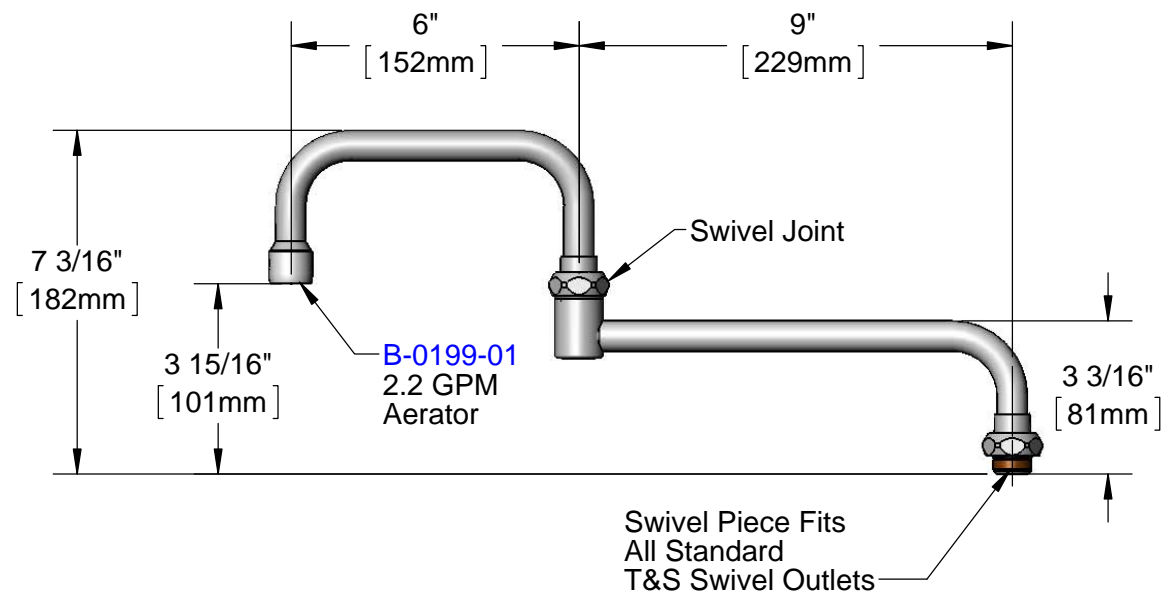
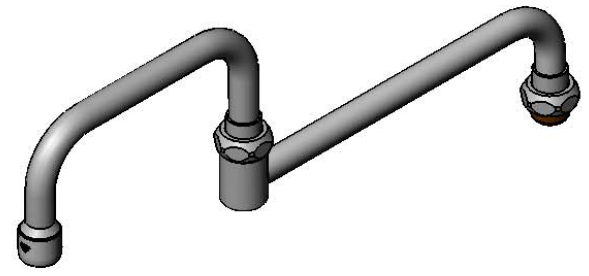
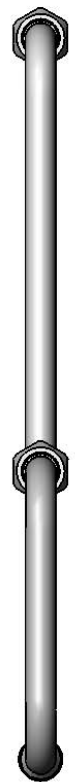
Job Name _____ Date _____

Model Specified _____ Quantity _____

Customer/Wholesaler _____

Contractor _____

Architect/Engineer _____



Product Specifications:
 15" Double Joint Swing Nozzle w/ 2.2 GPM Aerator
 (9" Back Section, 6" Front Section)

Product Compliance:
 ASME A112.18.1 / CSA B125.1
 NSF 61 - Section 9
 NSF 372 (Low Lead Content)



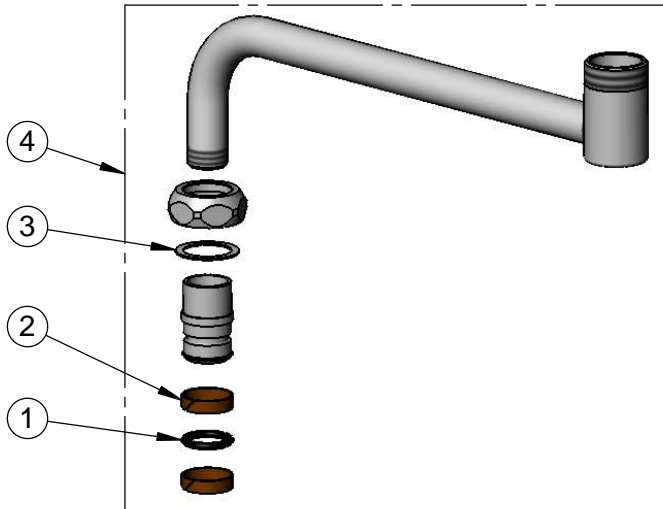
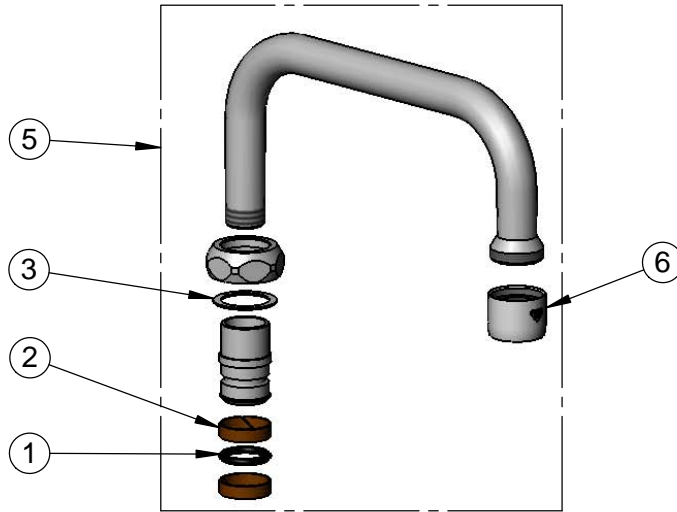
T&S BRASS AND BRONZE WORKS, INC.
 2 Saddleback Cove / P.O. Box 1088
 Travelers Rest, SC 29690

Model No.
067X-A22

Item No.

Travelers Rest, SC: 800-476-4103 • Simi Valley, CA: 800-423-0150 • Fax: 864-834-3518 • www.tsbrass.com

| ITEM NO. | SALES NO. | DESCRIPTION |
|----------|-----------|--------------------------------------|
| 1 | 001074-45 | O-Ring |
| 2 | 011429-45 | Swivel Sleeves (2) |
| 3 | 009538-45 | Swivel Washer |
| 4 | 152X | 9" Back Section |
| 5 | 153X-A22 | 6" Front Section w/ 2.2 GPM Aerator |
| 6 | B-0199-01 | 2.2 GPM Aerator, 55/64"-27 UN Female |



Product Specifications:
 15" Double Joint Swing Nozzle w/ 2.2 GPM Aerator
 (9" Back Section, 6" Front Section)

Product Compliance:
 ASME A112.18.1 / CSA B125.1
 NSF 61 - Section 9
 NSF 372 (Low Lead Content)