



T&S BRASS AND BRONZE WORKS, INC.

2 Saddleback Cove / P.O. Box 1088
Travelers Rest, SC 29690

Model No.

021075-40

Item No.

Travelers Rest, SC: 800-476-4103 • Simi Valley, CA: 800-423-0150 • Fax: 864-834-3518 • www.tsbrass.com

This Space for Architect/Engineer Approval

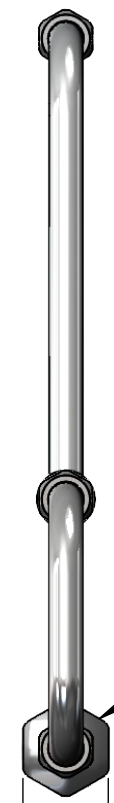
Job Name _____ Date _____

Model Specified _____ Quantity _____

Customer/Wholesaler _____

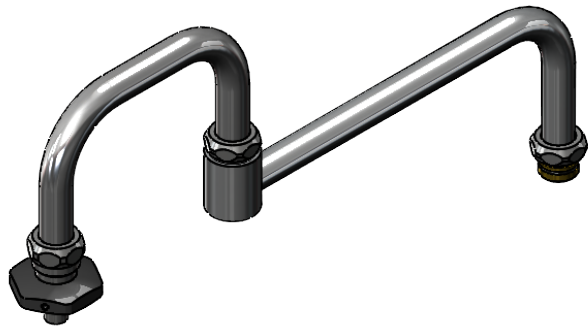
Contractor _____

Architect/Engineer _____

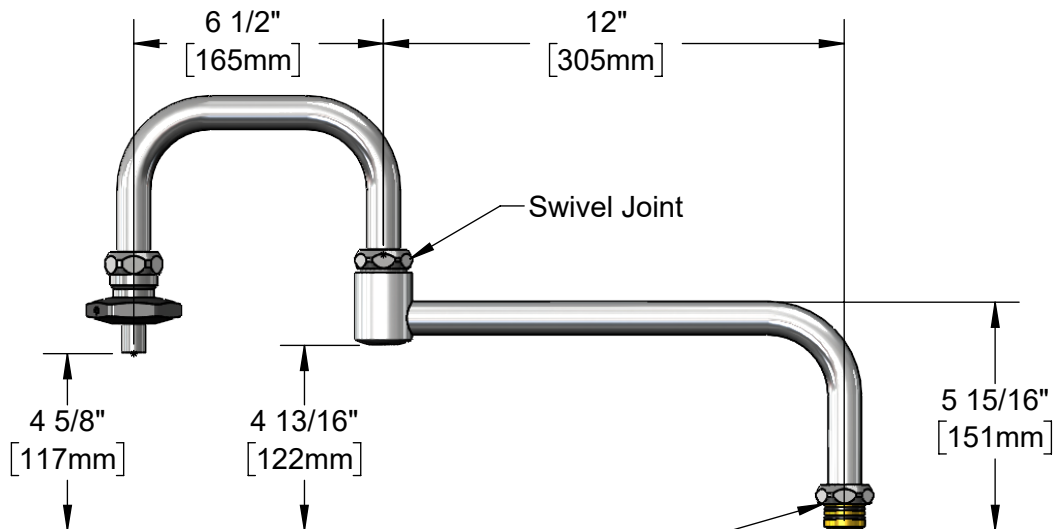


On-Off Volume Control w/
Heat Resistant Handle

2 1/4"
[56mm]



11 5/16"
[287mm]



Swivel Joint

Swivel Piece Fits
All Standard T&S
Swivel Outlets

Product Specifications:
18 1/2" Big-Flo Swing Nozzle w/ Heat Resistant Handle, 12" Back Section
and 6 1/2" Front Section

Product Compliance:
ASME A112.18.1 / CSA B125.1
NSF 61 - Section 9
NSF 372 (Low Lead Content)



T&S BRASS AND BRONZE WORKS, INC.

2 Saddleback Cove / P.O. Box 1088
Travelers Rest, SC 29690

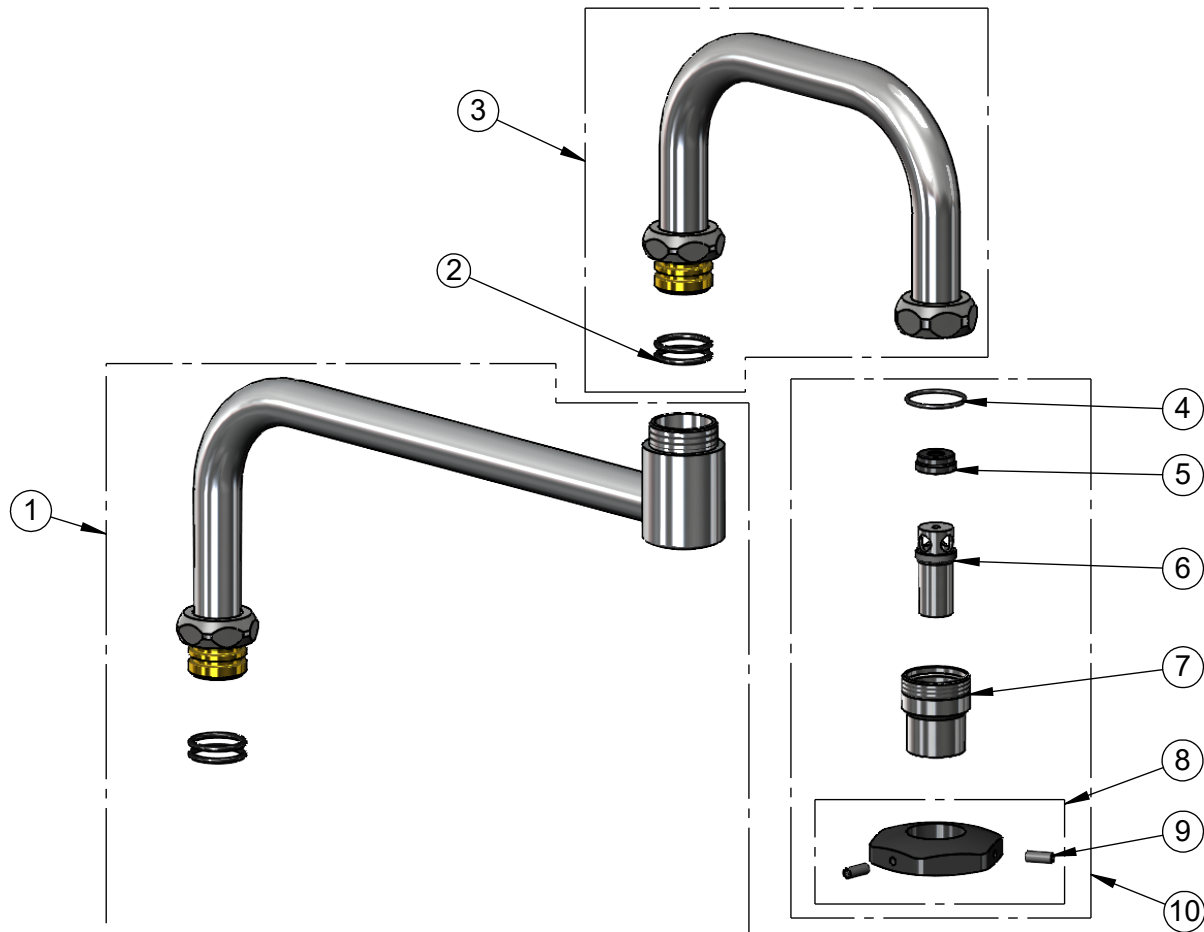
Model No.

021075-40

Item No.

Travelers Rest, SC: 800-476-4103 • Simi Valley, CA: 800-423-0150 • Fax: 864-834-3518 • www.tsbrass.com

| ITEM NO. | SALES NO. | DESCRIPTION |
|----------|-----------|--|
| 1 | 118X | 12" Big-Flo Back Section |
| 2 | 001068-45 | O-Ring |
| 3 | 021073-40 | 6 1/2" Big-Flo Front Section w/ Outlet Connection |
| 4 | 129F | O-Ring |
| 5 | 001089-45 | Seal |
| 6 | 001498-25 | Spout |
| 7 | 021070-25 | BF-0592 Spout Body |
| 8 | 001126-20 | Handle w/ (2) Set Screws |
| 9 | 000936-45 | Handle Set Screw |
| 10 | BF-035A | Big-Flo On-Off Volume Control w/ Heat Resistant Handle |



Product Specifications:

18 1/2" Big-Flo Swing Nozzle w/ Heat Resistant Handle, 12" Back Section and 6 1/2" Front Section

Product Compliance:

ASME A112.18.1 / CSA B125.1
NSF 61 - Section 9
NSF 372 (Low Lead Content)