



T&S BRASS AND BRONZE WORKS, INC.
 2 Saddleback Cove / P.O. Box 1088
 Travelers Rest, SC 29690

Model No.
019375-40

Item No.

Travelers Rest, SC: 800-476-4103 • Simi Valley, CA: 800-423-0150 • Fax: 864-834-3518 • www.tsbrass.com

This Space for Architect/Engineer Approval

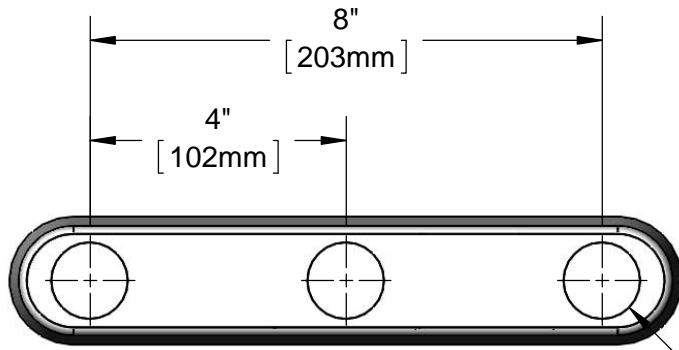
Job Name _____ Date _____

Model Specified _____ Quantity _____

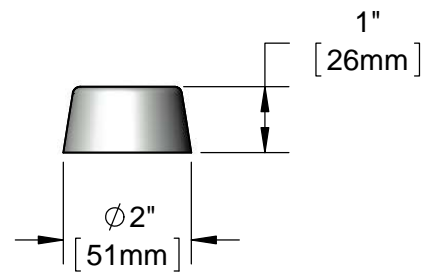
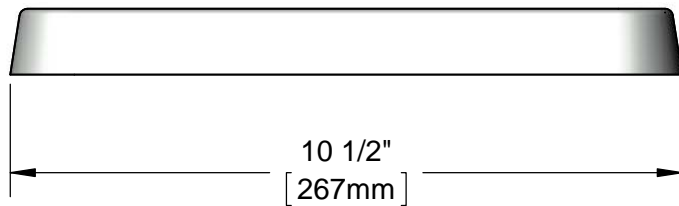
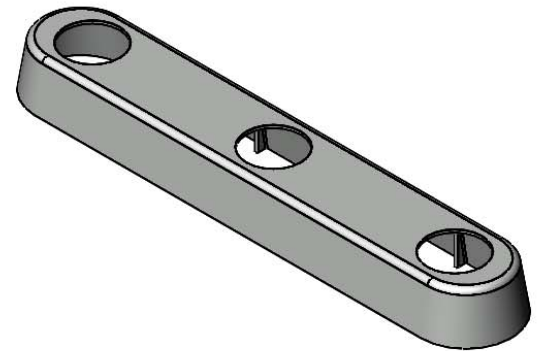
Customer/Wholesaler _____

Contractor _____

Architect/Engineer _____



$\phi 1 \frac{3}{16}$ "
 [30mm]



Finish: Polished Chrome

Product Specifications:
 Escutcheon for 8" c/c Workboard Faucets w/ Eterna or Cerama Cartridges

Product Compliance: