



T&S BRASS AND BRONZE WORKS, INC.
 2 Saddleback Cove / P.O. Box 1088
 Travelers Rest, SC 29690

Model No.
017768-40

Item No.

Travelers Rest, SC: 800-476-4103 • Simi Valley, CA: 800-423-0150 • Fax: 864-834-3518 • www.tsbrass.com

This Space for Architect/Engineer Approval

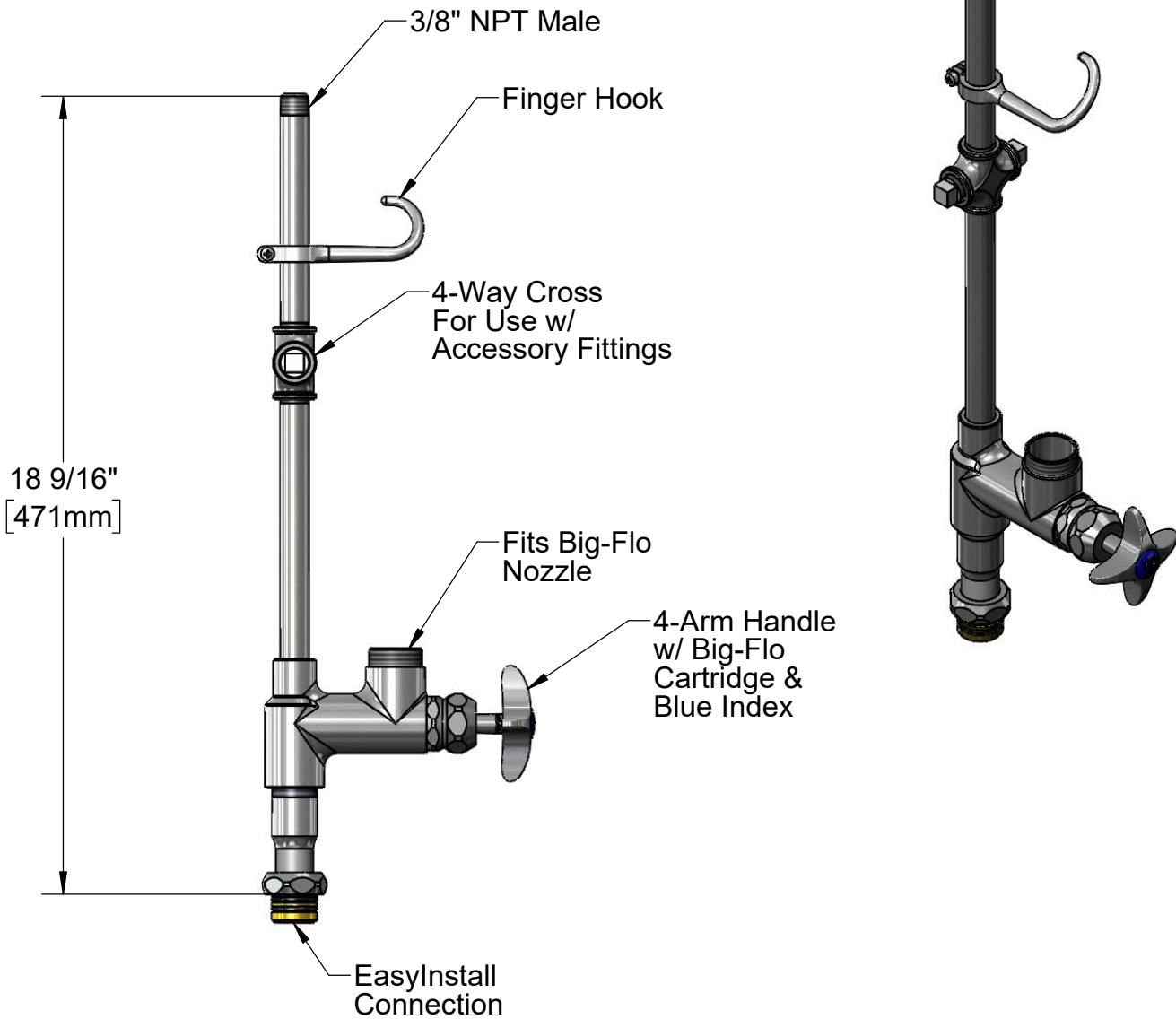
Job Name _____ Date _____

Model Specified _____ Quantity _____

Customer/Wholesaler _____

Contractor _____

Architect/Engineer _____



Product Specifications:
B-0287-PS-OH EasyInstall Riser
 w/ Big-Flo Add-On Faucet

Product Compliance:
 ASME A112.18.1 / CSA B125.1
 NSF 61 - Section 9
 NSF 372 (Low Lead Content)

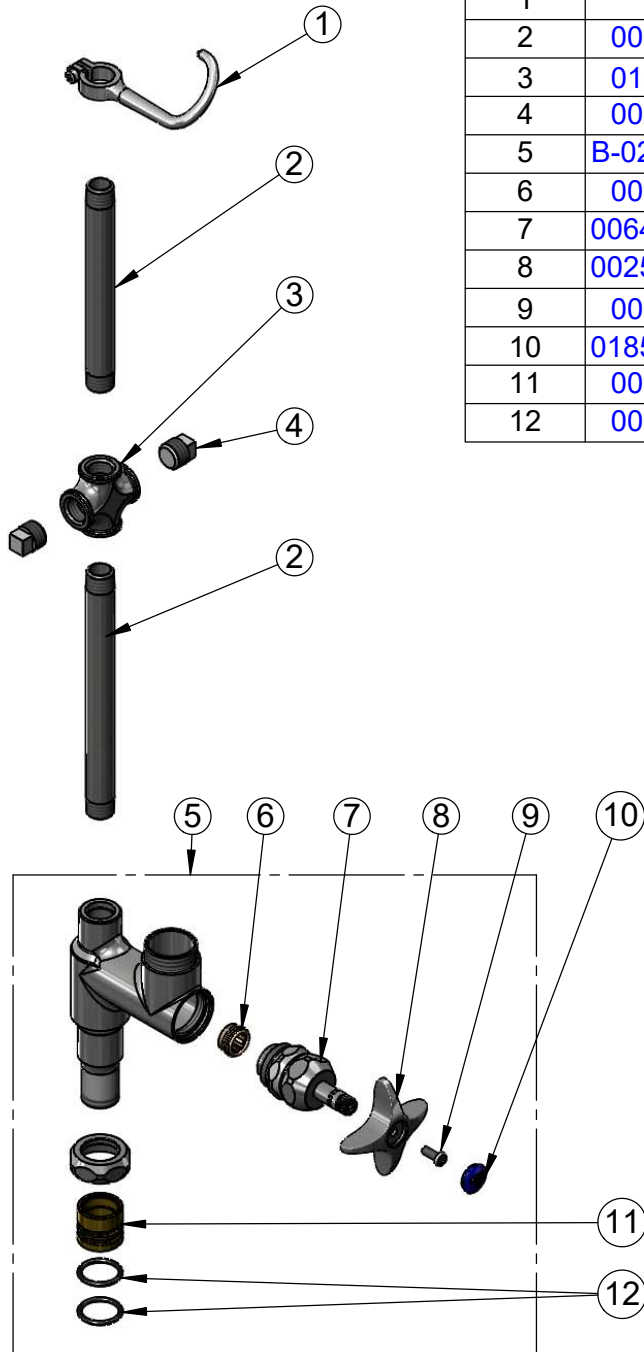


T&S BRASS AND BRONZE WORKS, INC.
 2 Saddleback Cove / P.O. Box 1088
 Travelers Rest, SC 29690

Model No.
017768-40

Item No.

Travelers Rest, SC: 800-476-4103 • Simi Valley, CA: 800-423-0150 • Fax: 864-834-3518 • www.tsbrass.com



ITEM NO.	SALES NO.	DESCRIPTION
1	004R	Finger Hook
2	000363-40	Nipple, 3/8" NPT x 5-13/16"
3	016804-40	3/8" NPT Cross
4	002369-25	3/8" NPT Plug
5	B-0286-LNEZ	Big-Flow EasyInstall Add-On Faucet
6	000764-20	Seat, Big-Flo
7	006482-40NS	Big-Flo Cartridge, RTC
8	002521-45NS	4-Arm Handle (New Style)
9	000925-45	Lab Handle Screw
10	018506-19NS	Blue Button Index, Press-in
11	000847-20	Big-Flo Swivel Piece
12	001068-45	O-ring

Product Specifications:
B-0287-PS-OH EasyInstall Riser
 w/ Big-Flo Add-On Faucet

Product Compliance:
 ASME A112.18.1 / CSA B125.1
 NSF 61 - Section 9
 NSF 372 (Low Lead Content)