



T&S BRASS AND BRONZE WORKS, INC.
 2 SADDLEBACK COVE / P.O. BOX 1088 / TRAVELERS REST, SC 29690
 PHONE 800-476-4103 - FAX 864- 834-3518



Sales No.

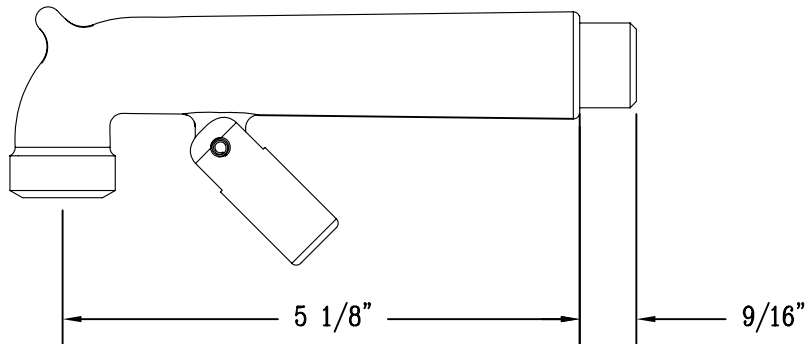
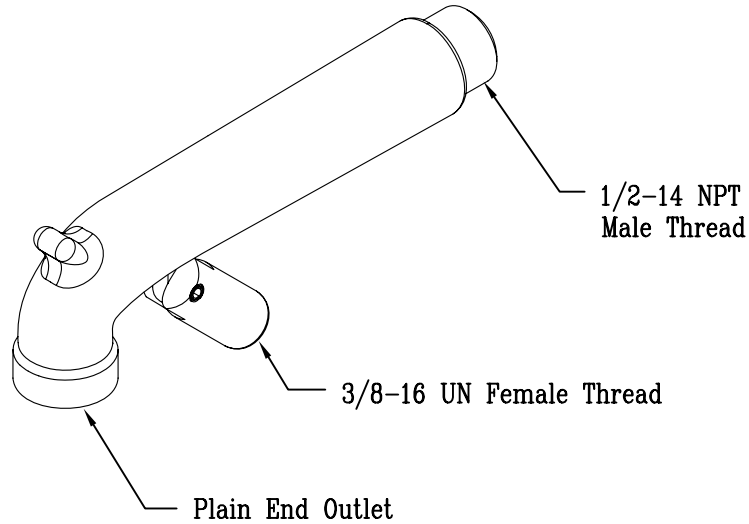
017535-40

**RELIABILITY
BUILT IN**

Job Name:

Architect/Engineer Approval:

Notes:



Finish: Polished Chrome Plated

Product Description:

Plain End Nozzle w/ Lower Support Clevis

Drawn:

DHL

Approved

JHB

Checked

KJG

Scale:

1 : 2

Date:

02/10/09