



# T&S BRASS AND BRONZE WORKS, INC.

2 Saddleback Cove / P.O. Box 1088  
Travelers Rest, SC 29690



REG. #A2601  
ISO #9001

Model No.

**017487-45B**

Item No.

Travelers Rest, SC: 800-476-4103 Simi Valley, CA: 800-423-0150 Fax: 864-834-3518 www.tsbrass.com

This Space for Architect/Engineer Approval

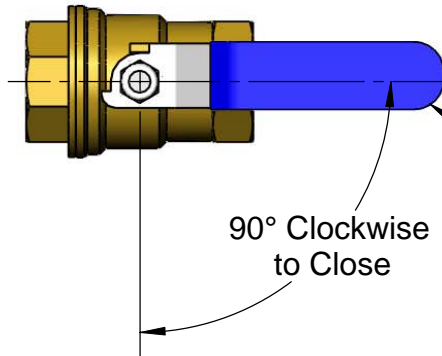
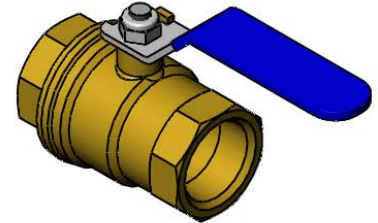
Job Name \_\_\_\_\_ Date \_\_\_\_\_

Model Specified \_\_\_\_\_ Quantity \_\_\_\_\_

Customer/Wholesaler \_\_\_\_\_

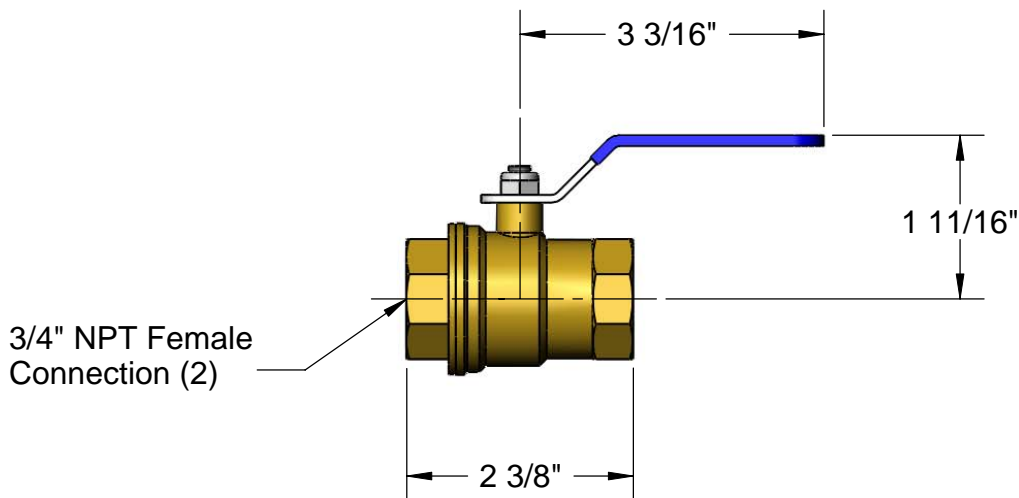
Contractor \_\_\_\_\_

Architect/Engineer \_\_\_\_\_



90° Clockwise  
to Close

Blue Vinyl Coated  
Zinc Plated Steel  
Handle



Product Specifications:

**Ball Valve, 3/4" NPT Female Connections  
w/ Blue Lever Handle**

Drawn  
**DMH**

Checked  
**JRM**

Approved  
**JHB**

Scale:

**1:2**

Date:

**11/10/08**