



**T&S BRASS AND BRONZE WORKS, INC.**  
 2 Saddleback Cove / P.O. Box 1088  
 Travelers Rest, SC 29690



REG. #A2601  
 ISO #9001

Model No.  
**017454-45**

Item No.

Travelers Rest, SC: 800-476-4500 | San Jose Valley, CA: 800-423-0750 | Fax: 864-834-3510 | www.tsbrass.com

This Space for Architect/Engineer Approval

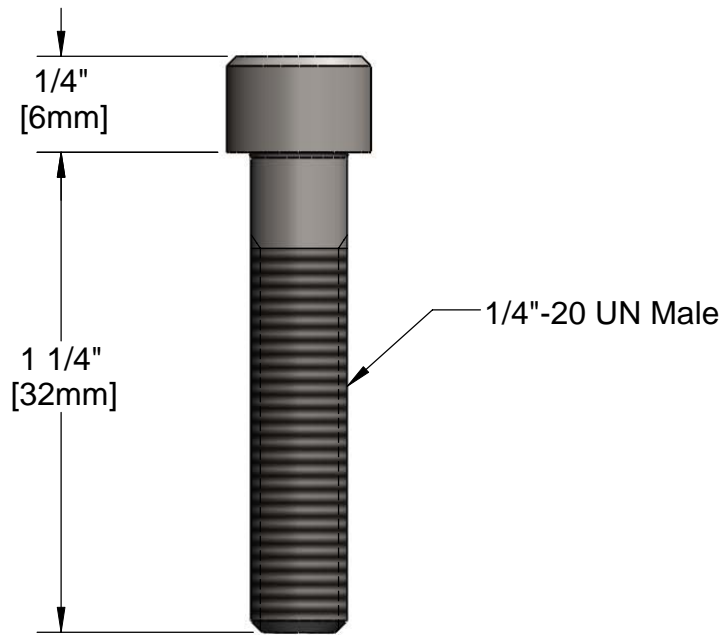
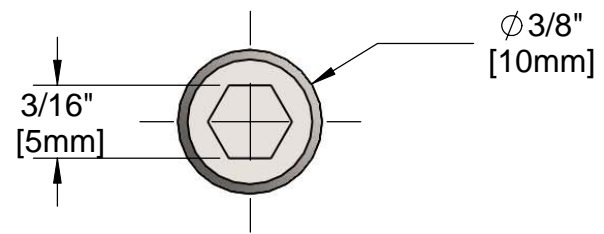
Job Name \_\_\_\_\_ Date \_\_\_\_\_

Model Specified \_\_\_\_\_ Quantity \_\_\_\_\_

Customer/Wholesaler \_\_\_\_\_

Contractor \_\_\_\_\_

Architect/Engineer \_\_\_\_\_



Product Specifications: <b>1/4-20 UN Stainless Steel SHCS</b>	Drawn <b>KJG</b>	Checked <b>GEF</b>	Approved <b>JHB</b>
	Scale: <b>2:1</b>		Date: <b>05/26/09</b>
Sheet: 1 of 1			