



T&S BRASS AND BRONZE WORKS, INC.

2 Saddleback Cove / P.O. Box 1088
Travelers Rest, SC 29690



REG. #A2601
ISO #9001

Model No.

017292-45

Item No.

Travelers Rest, SC: 800-476-4103 Simi Valley, CA: 800-423-0150 Fax: 864-834-3518 www.tsbrass.com

This Space for Architect/Engineer Approval

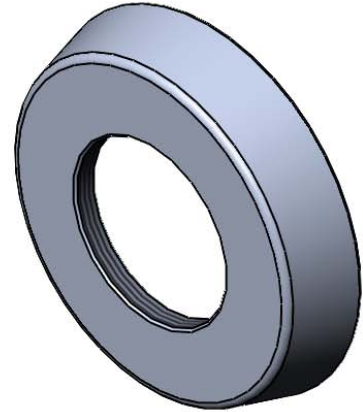
Job Name _____ Date _____

Model Specified _____ Quantity _____

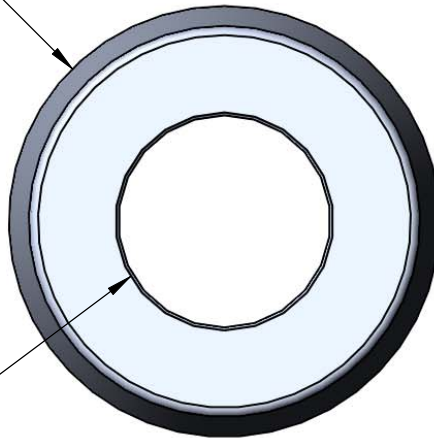
Customer/Wholesaler _____

Contractor _____

Architect/Engineer _____



Ø 2 1/4"



Threads Fit All T&S Concealed
Widespread Sidebodies

7/16"



Finish: Chrome Plate

Product Specifications:

**EasyInstall Concealed Widespread
Phase II Flange**

Drawn
JRM

Checked
DHL

Approved
JHB

Scale:

1:1

Date:

02/10/09