

T&S BRASS AND BRONZE WORKS, INC.

2 SADDLEBACK COVE / P.O. BOX 1088 / TRAVELERS REST, SC 29690

PHONE 800-476-4103

FAX 864- 834-3518



REG.#A2601  
ISO #9001

Model No.

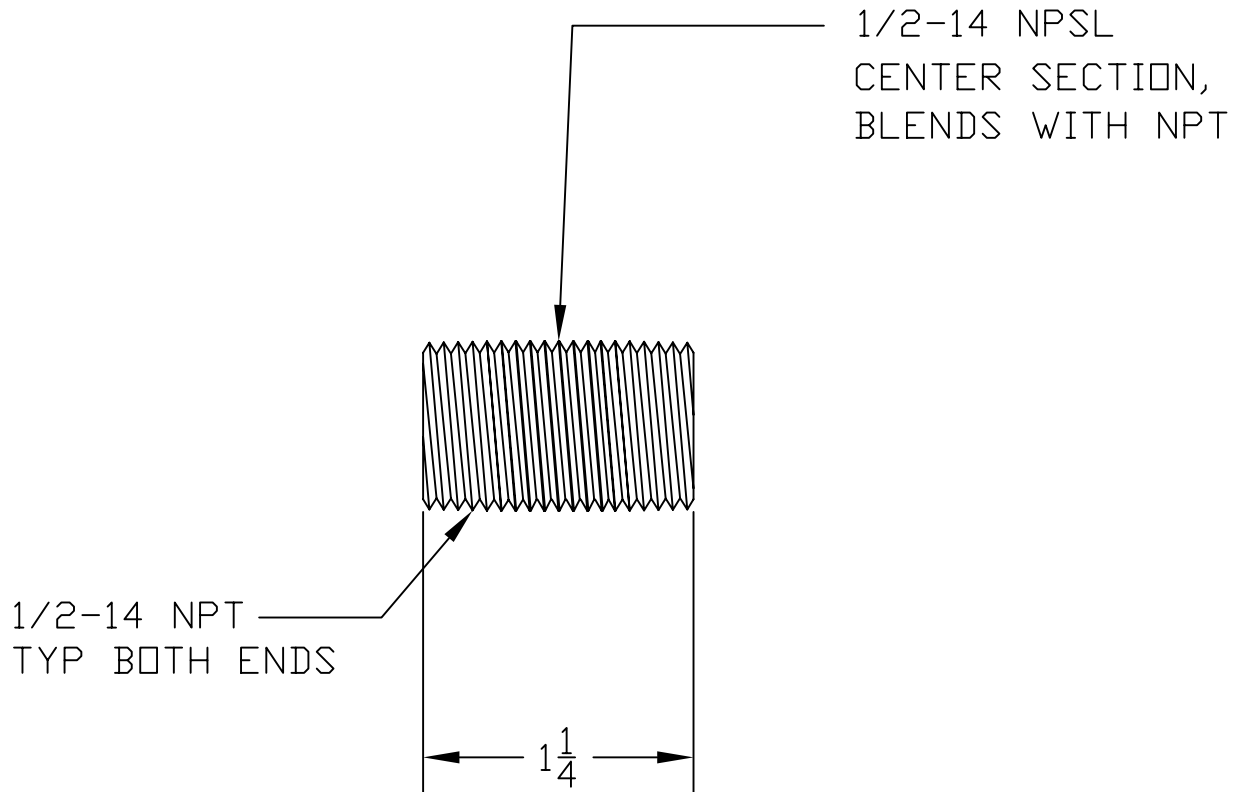
016878-20

Item No.:

Job Name:

Architect/Engineer Approval:

Notes:



Product Description:

1/2" NPT Supply Nipple x 1-1/4" Long  
( Unplated Brass )

Drawn:

JRM

Checked

MAV

Scale:

1:1

Approved

JHB

Date:

04/19/10