



T&S BRASS AND BRONZE WORKS, INC.

2 Saddleback Cove / P.O. Box 1088
Travelers Rest, SC 29690



REG. #A2601
ISO #9001

Model No.

016782-40

Item No.

Travelers Rest, SC: 800-476-4103 Simi Valley, CA: 800-423-0150 Fax: 864-834-3518 www.tsbrass.com

This Space for Architect/Engineer Approval

Job Name _____ Date _____

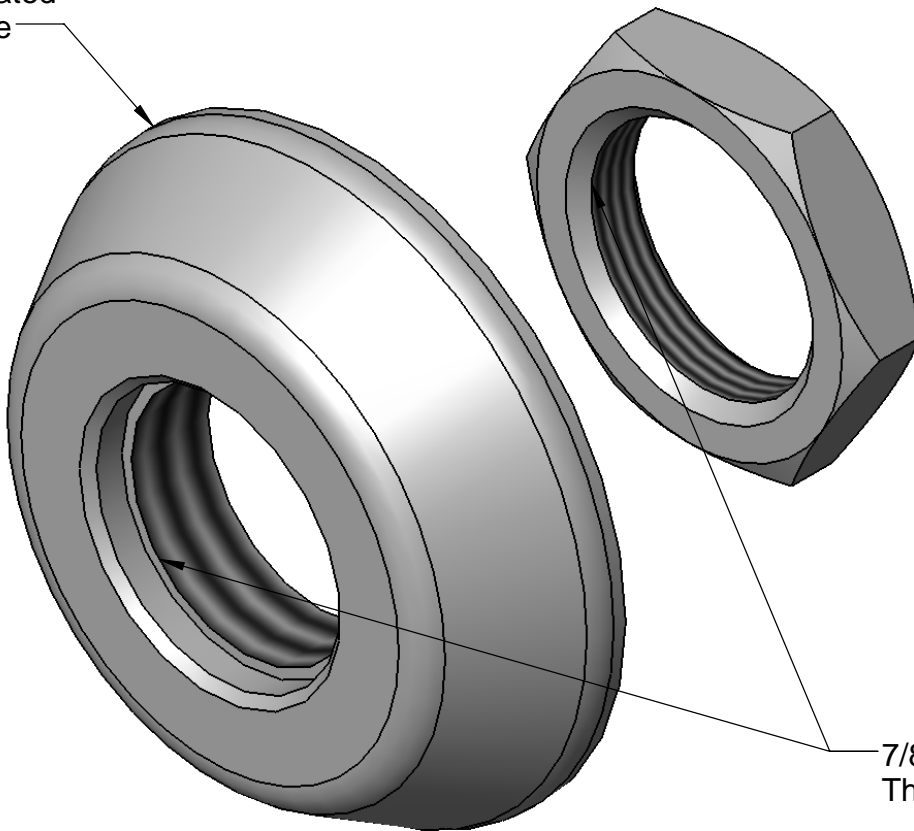
Model Specified _____ Quantity _____

Customer/Wholesaler _____

Contractor _____

Architect/Engineer _____

2" Adjustable
Chrome Plated
Wall Flange



7/8-18 UN
Threads

Product Specifications:
Adjustable Wall Flange Repair Kit

Drawn JRM	Checked DMH	Approved JHB
Scale: 2:1		Date: 12/19/08