



T&S BRASS AND BRONZE WORKS, INC.

2 Saddleback Cove / P.O. Box 1088
Travelers Rest, SC 29690

Model No.

016754-40

Item No.

Travelers Rest, SC: 800-476-4103 • Simi Valley, CA: 800-423-0150 • Fax: 864-834-3518 • www.tsbrass.com

This Space for Architect/Engineer Approval

Job Name _____ Date _____

Model Specified _____ Quantity _____

Customer/Wholesaler _____

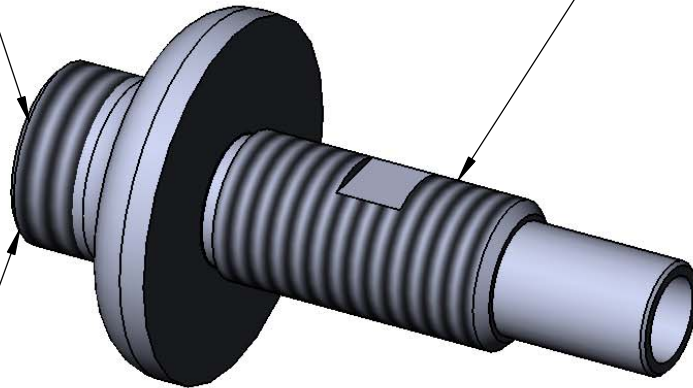
Contractor _____

Architect/Engineer _____

Fits All T&S
Swivel Goosenecks
or Swing Nozzles

1/2-14 NPSM
Male Thread

1-20 UN
Male Thread



Product Specifications:
EasyInstall CWS Swivel Center Shank Assembly

Drawn

JRM

Checked

DHL

Approved

JHB

Scale:

1:1

Date:

03/24/12