

**T&S BRASS AND BRONZE WORKS, INC.**  
 2 SADDLEBACK COVE / P.O. BOX 1088 / TRAVELERS REST, SC 29690  
 PHONE 800-476-4103 - FAX 864- 834-3518



REG.#A2601  
 ISO #9001

Sales No.

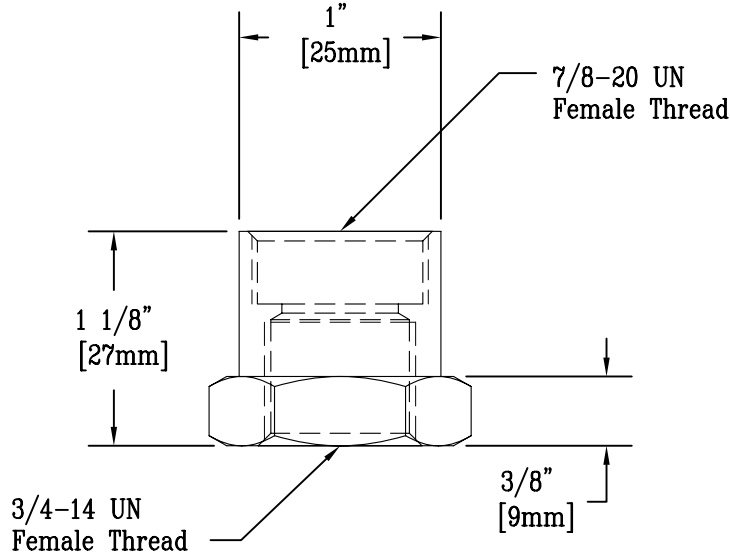
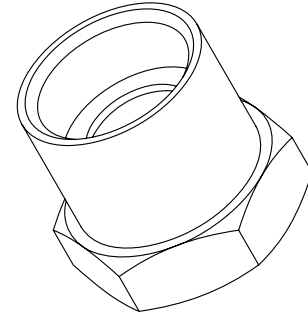
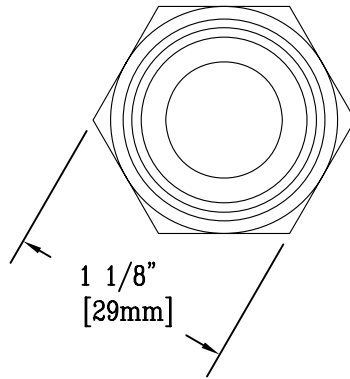
016281-25

**RELIABILITY  
 BUILT IN**

Job Name:

Architect/Engineer Approval:

Notes:



Product Description:

7/8-20 UN Female x 3/4-14 UN Female Adapter

Drawn:

DHL

Checked

GEF

Scale:

1:1

Approved

JHB

Date:

06/25/08