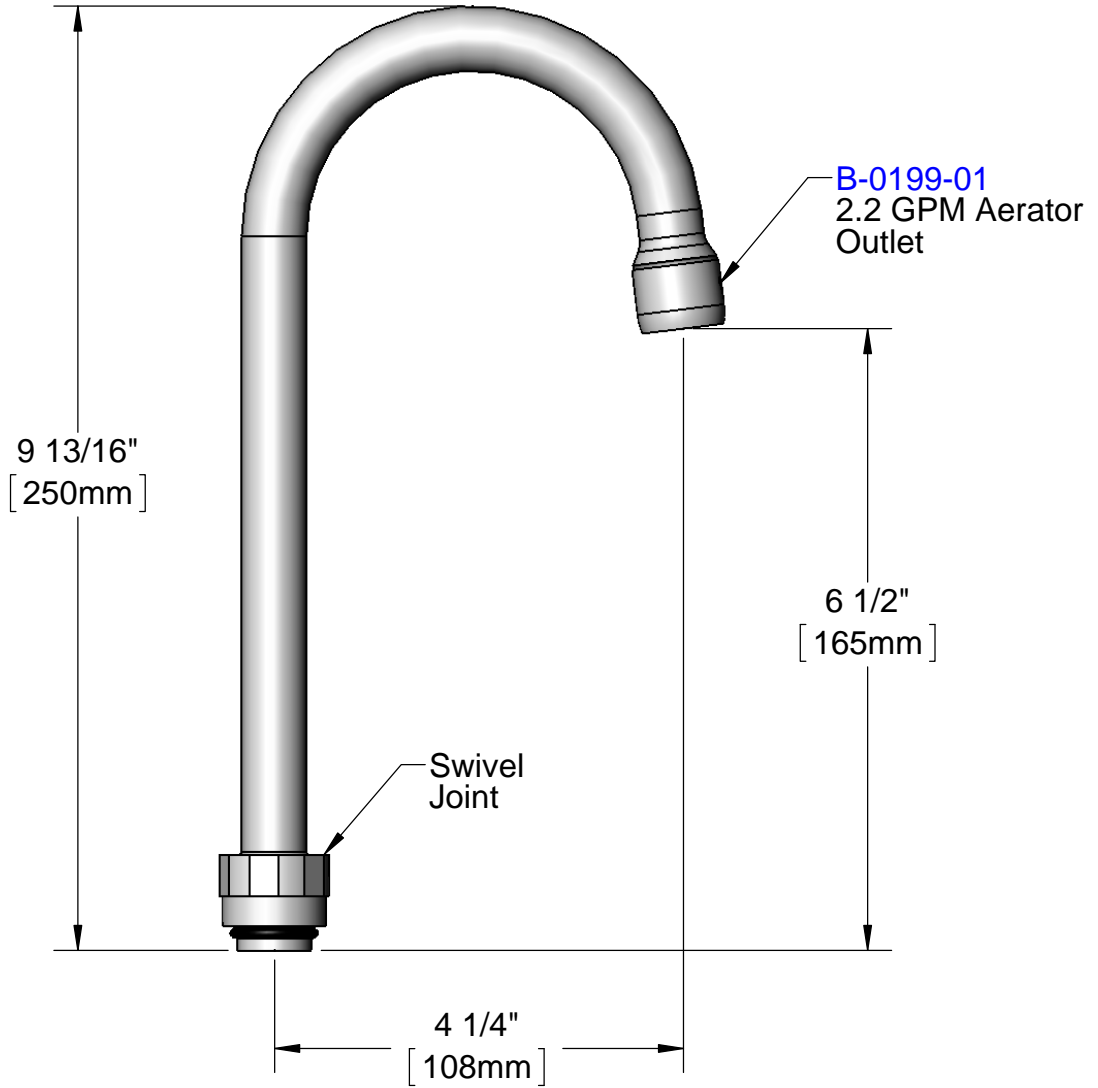
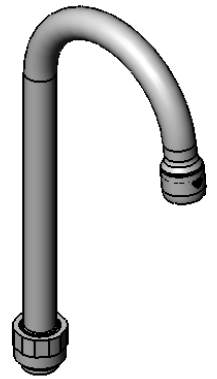


This Space for Architect/Engineer Approval

Job Name _____ Date _____
 Model Specified _____ Quantity _____
 Customer/Wholesaler _____
 Contractor _____
 Architect/Engineer _____



Model Number 015859-40	Date 01/05/12	Scale 1:2	Drawn DHL	Checked DMH	Approved JHB
----------------------------------	------------------	--------------	--------------	----------------	-----------------



Product Specifications:

Swivel Gooseneck w/ 2.2 GPM Aerator
(5EF-1D-WGMM / 5EF-1D-WGMM-HG)

equip Foodservice Accessories
 2 Saddleback Cove, P.O. Box 1088
 Travelers Rest, South Carolina 29690
 Phone: 800.891.4808 Fax: 800.868.0084