



T&S BRASS AND BRONZE WORKS, INC.
 2 SADDLEBACK COVE / P.O. BOX 1088 / TRAVELERS REST, SC 29690
 PHONE 800-476-4103 FAX 864- 834-3518



Model No.

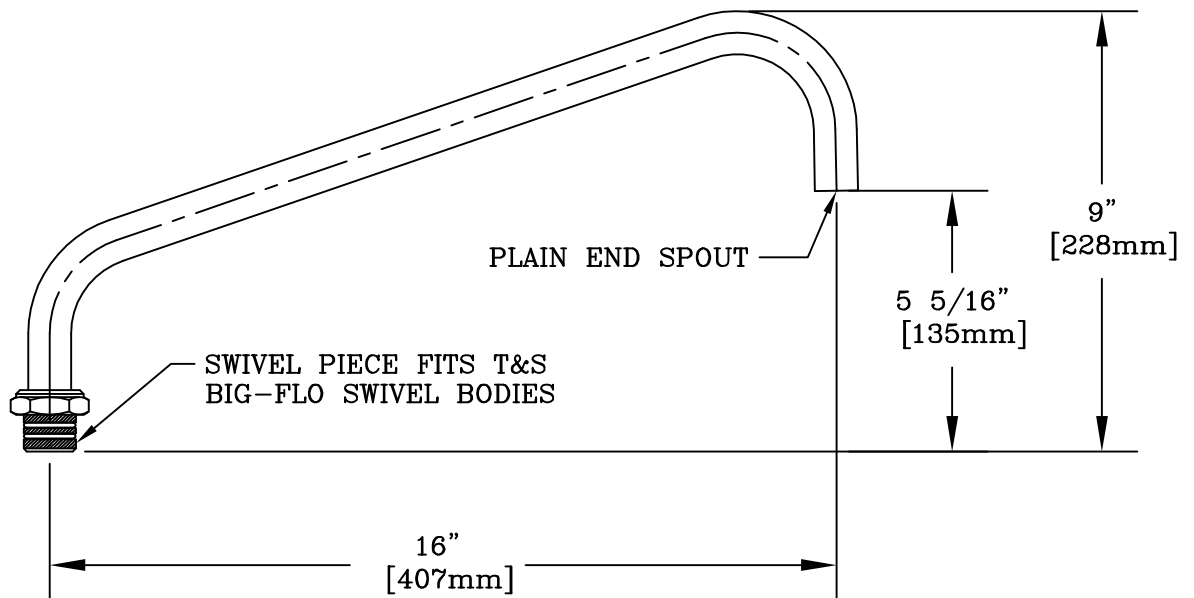
015297-40

Item No.:

Job Name:

Architect/Engineer Approval:

Notes:



Product Description:

16" BIG-FLO SWING NOZZLE

Drawn:

TEH

Approved

MVW

Checked

WJS

Scale:

1 : 4

Date:

1/14/05