



T&S BRASS AND BRONZE WORKS, INC.

2 Saddleback Cove / P.O. Box 1088
Travelers Rest, SC 29690



REG. #A2601
ISO #9001

Model No.

014930-45

Item No.

Travelers Rest, SC: 800-476-4103 Simi Valley, CA: 800-423-0150 Fax: 864-834-3518 www.tsbrass.com

This Space for Architect/Engineer Approval

Job Name _____ Date _____

Model Specified _____ Quantity _____

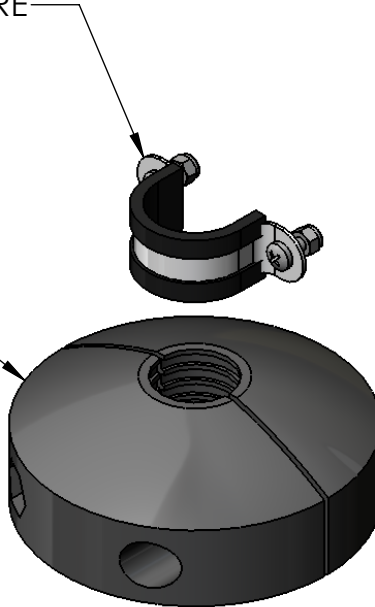
Customer/Wholesaler _____

Contractor _____

Architect/Engineer _____

3/4" I.D.
HOSE CLAMP
w/HARDWARE

3/4" I.D. RUBBER
HOSE STOP
w/HARDWARE



Product Specifications:

**3/4" HOSE STOP
REPAIR KIT**

Drawn
JRM

Checked
DHL

Approved
JHB

Scale:

1:2

Date:

2/25/08